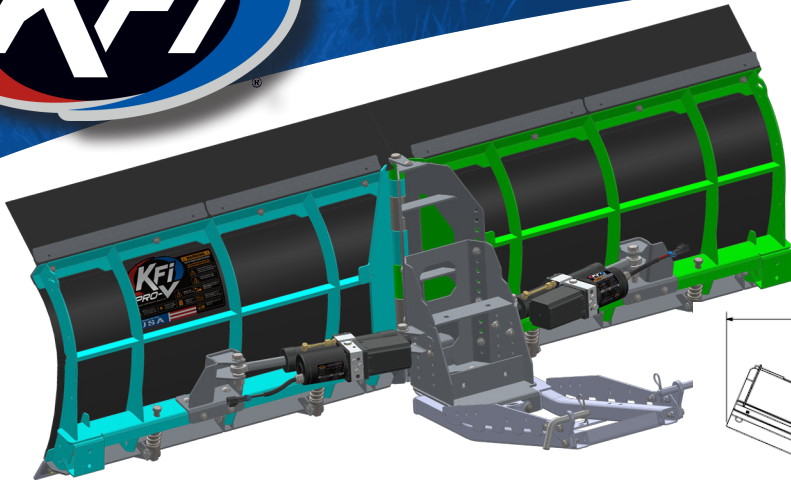




KFI NEW PRODUCT

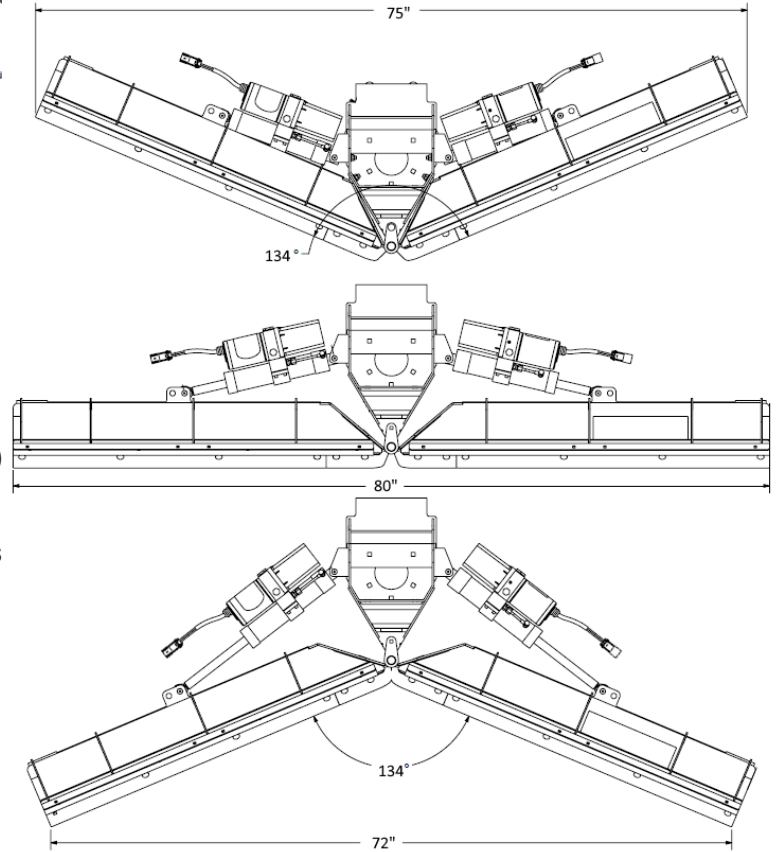
KFI 80" Pro-V UTV Plow

Available with Hydraulic Angling Kit, or available with Manual Extensions for angling each wing. A Manual Pro-V Plow System can be upgraded to hydraulic actuators by purchasing (2x) ACT203 and (2x) 105940 at a later date.



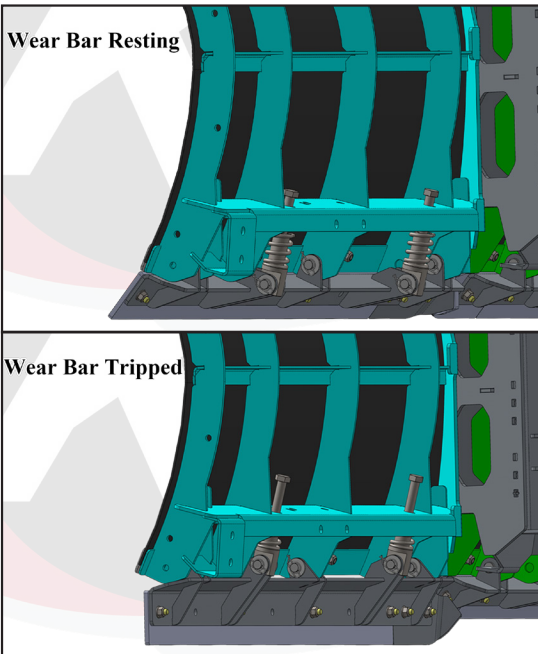
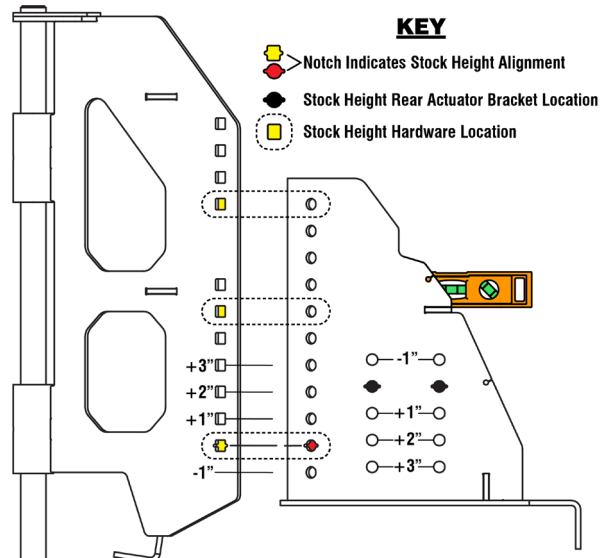
Specifications:

- 80" Wide when straight
- 72" Wide when in the Scoop
- 75" Wide in the V-Shape
- 21" Tall without the flap (28.5" w/ Flap)
- 4" of Integrated Height Adjustment in 1" Increments (-1" to +3")
- Steel Structure with Replacable Poly Face
- Dual Curvature Face for Snow Moving
- Height Adjustable, Heavy Duty 3" Diameter Grade 50, Steel Skids with Bolt-On Brackets (x3)
- Tripping Wear Bar
- Metal Bead Blasted, Then Powder Coated Black For Supreme Durability
- Weights Approximately 260lbs (Roughly 100-200lbs Lighter than the competition)
- Optional Hydraulic Actuators Operate with (x2) In-Dash Rocker Switches
- Made In USA
- 2-Year Limited Warranty



Stock Height Adjustment

Note: Leveling Kits Can Be Used To Bring This Connection Closer to "Stock" Center Pivot Is Adjustable From -1" to +3"



www.kfi-products.com

KFI NEW PRODUCT



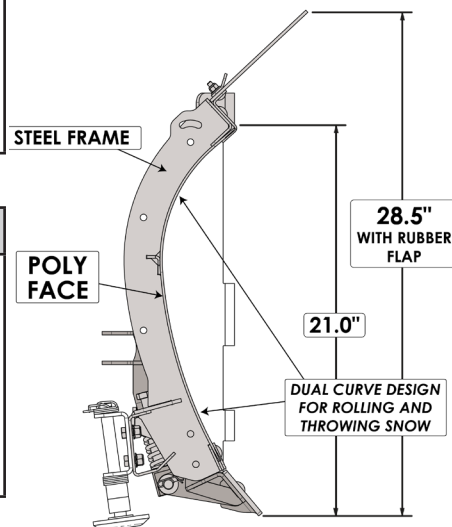
OPTION 1 - Pro-V UTV Plow System w/ Hydraulic Actuators and ACT-VHR-K - \$3859.95

COMPONENTS TO ORDER	INCLUDED COMPONENTS (All Boxes)
106180-DS (BOX #1) 106180-PS (BOX #2) 106180-CP (BOX #3) 106180-APH (BOX #4)	<ul style="list-style-type: none"> • Driver Side and Passenger Side Wings • Center Pivot Bulkhead • UTV Pro 2.0 Push Tube Frame • (2x) Hydraulic Actuators • Actuator Harness Kit with Hand Remote • Included Standard Mounting Ears • Includes Premium Plow Markers • Includes Top Flap Kit <p>*DOES NOT INCLUDE MODELS SPECIFIC PLOW MOUNT - PURCHASE SEPERATELY*</p>



OPTION 2 - Pro-V UTV Plow System w/ Hydraulic Actuators - \$3499.95 MSRP

COMPONENTS TO ORDER	INCLUDED COMPONENTS (All Boxes)
106180-DS (BOX #1) 106180-PS (BOX #2) 106180-CP (BOX #3) 106180-AP (BOX #4)	<ul style="list-style-type: none"> • Driver Side and Passenger Side Wings • Center Pivot Bulkhead • UTV Pro 2.0 Push Tube Frame • (2x) Hydraulic Actuators • (2x) Actuator Harness Kits w/ Dash Rocker Switch • Included Standard Mounting Ears • Includes Premium Plow Markers • Includes Top Flap Kit <p>*DOES NOT INCLUDE MODELS SPECIFIC PLOW MOUNT - PURCHASE SEPERATELY*</p>



OPTION 3 - Pro-V UTV Plow System w/ Two Manual Angle Adjustment Bars - \$2399.95 MSRP

COMPONENTS TO ORDER	INCLUDED COMPONENTS (All Boxes)
106180-DS (BOX #1) 106180-PS (BOX #2) 106180-CP (BOX #3) 106180-MP (BOX #4)	<ul style="list-style-type: none"> • Driver Side and Passenger Side Wings • Center Pivot Bulkhead • UTV Pro 2.0 Push Tube Frame • Manual Angling Kit #106530 • Included Standard Mounting Ears • Includes Premium Plow Markers • Includes Top Flap Kit <p>*DOES NOT INCLUDE MODELS SPECIFIC PLOW MOUNT - PURCHASE SEPERATELY*</p>

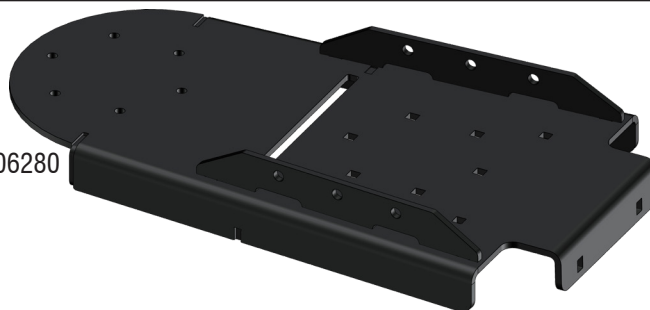


UTV Pro-V Plow Tube Track Extension

Specifications:

- Extends Pro-V UTV Blade 12.25"
- Shot Blasted before Powder Coating
- Powder Coated TOUGH - Black
- Constructed of Heavy Duty 1/4" Grade 50 Steel

#106280



No. **106280**

Complete Control V-Plow Handheld Remote Kit ACT-VHR-K

The KFI Pro-V Hand Remote allows you to have control over both your Winch and V-Plow Wings. Independently control each wing, or simultaneously control both wings with one button, by holding left, right, wings out, or wings in.

Specifications:

- ACT-VHR-K comes with all wiring needed to connect to both actuators and winch contactor
- Control winch and both wings
- Lighted buttons for improved visibility at night
- On/Off switch at the top of the remote disables all buttons (not shown in photo)
- Threaded Harness Connection

No. **ACT-VHR-K**



#ACT-VHR-K