

# “2000-06” Yamaha 400 Big Bear Winch Mount

Winch Mount

Part # 100330

## Kit Components:

Item #	Qty.	Description
1	1	Winch Mount Plate
2	1	HK-001
2.1	4	5/16”-18 x 1.00” Hex Flange Bolt
2.2	4	5/16”-18 Hex Flange Nylock Nut

## INSTALLATION INSTRUCTIONS:

**Note:** Make sure all of the hardware needed to complete this mount is in the package. Read through and understand the instructions before installing.

1. Place winch mount (1) into location and assemble to the frame in location (A) shown in **Figure 2** and to the bumper in location (B) shown in **Figure 3** with supplied 5/16” Hardware as shown in exploded view below.
2. Assemble hawse or roller fairlead and winch to winch mount (1) using hardware that was supplied with your winch and fairlead.
3. Using the instructions provided with your winch, wire accordingly.

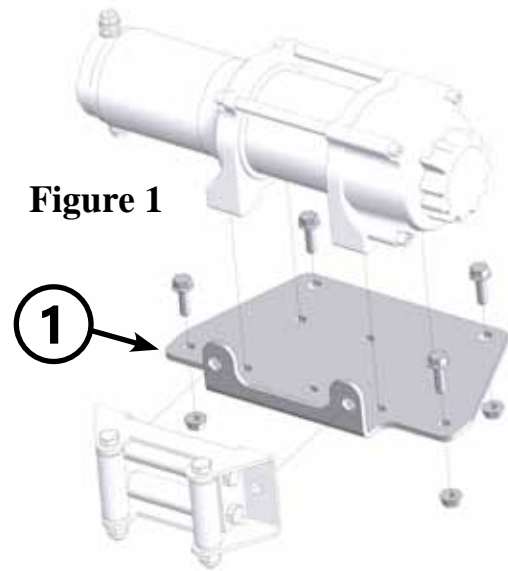


Figure 1

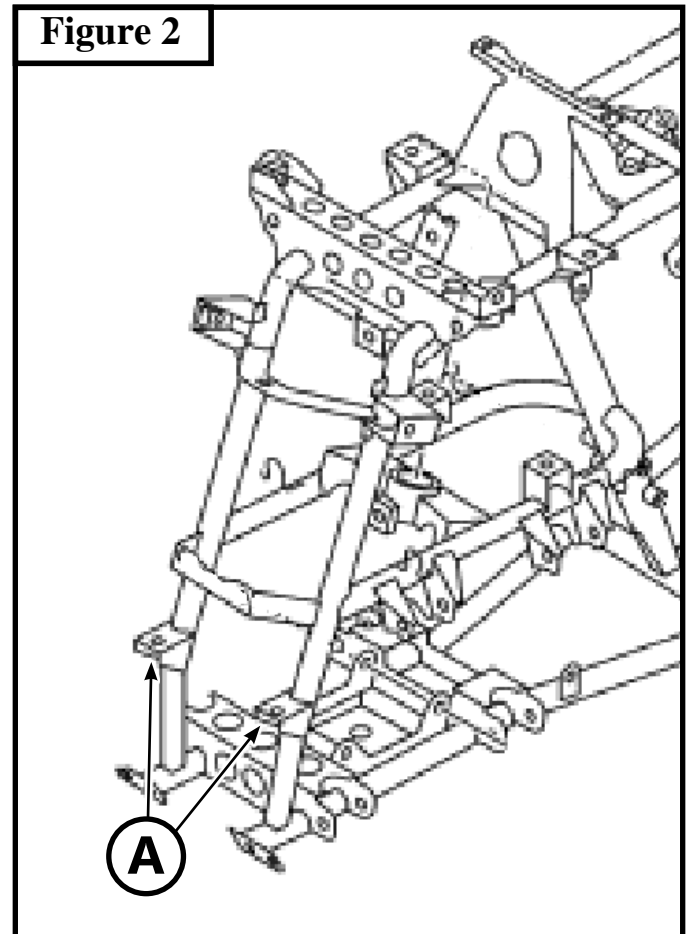


Figure 2

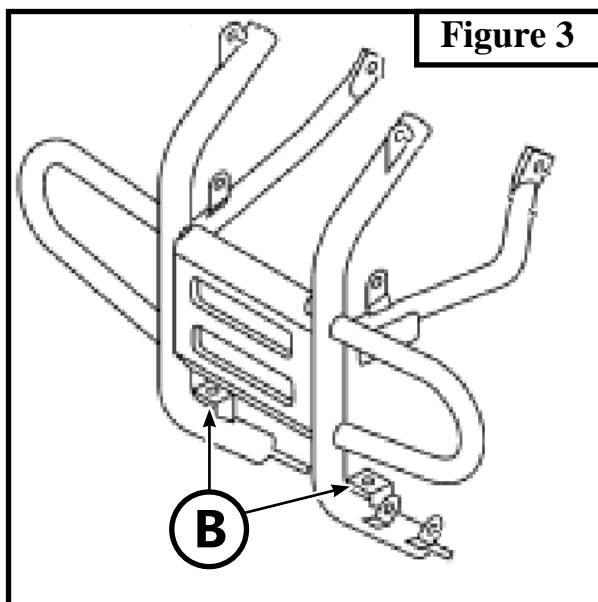


Figure 3

