

4-to-2 Hole Converter Mount

Winch Mount

PART # 100480

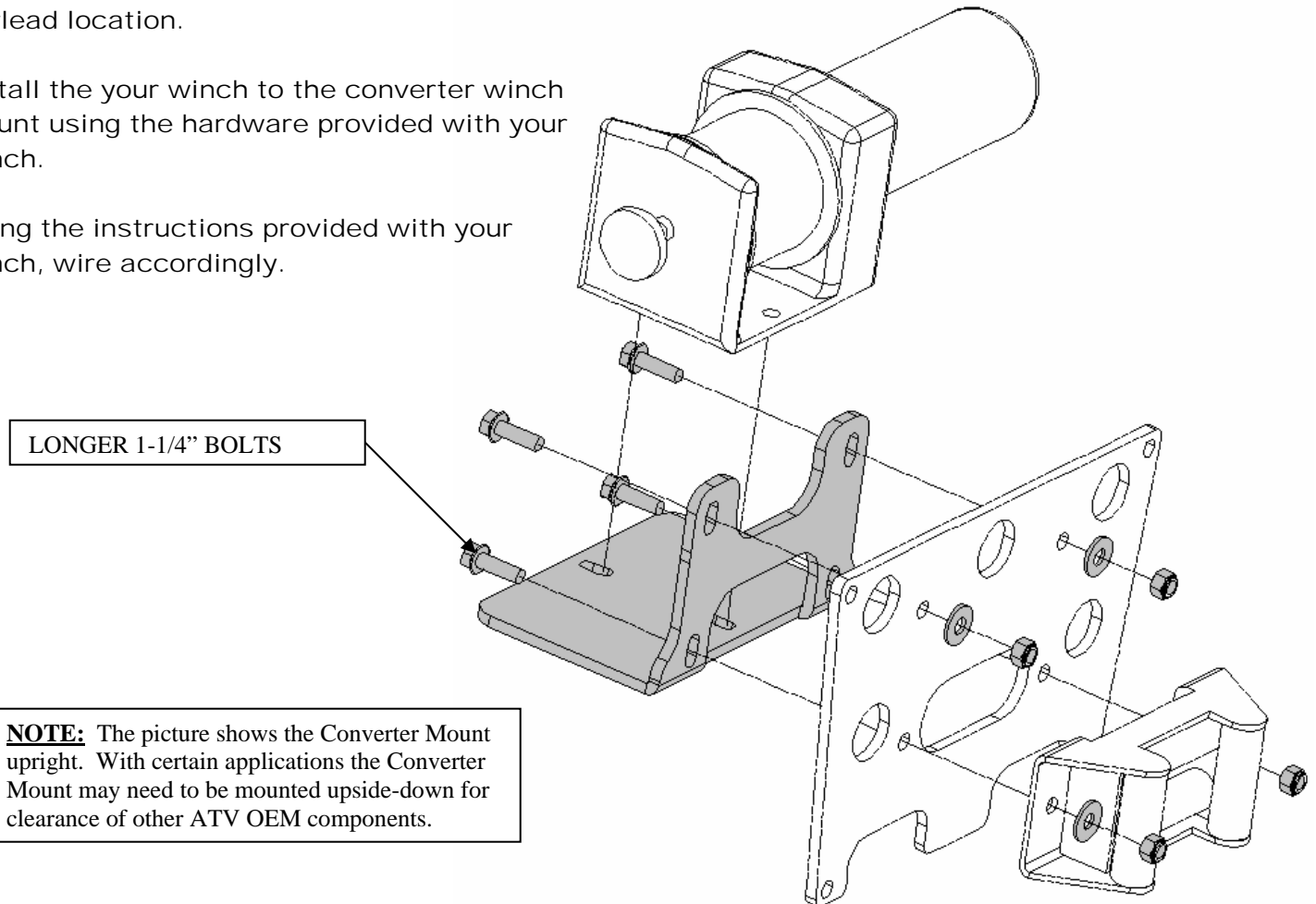
Kit Components:

| <u>Qty</u> | <u>Part Description</u> |
|------------|---------------------------|
| 1..... | Converter Mount |
| 2 | 5/16" x 1-1/4 Flange Bolt |
| 2 | 5/16" x 1 Flange Bolt |
| 4 | 5/16" SAE Flat Washer |
| 4 | 5/16" Nylock Nut |



INSTALLATION INSTRUCTIONS:

1. Assemble the Converter Mount to your ATV winch mount with the hardware provided.
(Arctic Cat mount shown for reference)
2. Use the longer 1-1/4" bolts for the Roller fairlead location.
3. Install the your winch to the converter winch mount using the hardware provided with your winch.
4. Using the instructions provided with your winch, wire accordingly.



NOTE: The picture shows the Converter Mount upright. With certain applications the Converter Mount may need to be mounted upside-down for clearance of other ATV OEM components.