

Arctic Cat "2-HOLE" Winch Converter Mount

Winch Mount

Part # 100500

Kit Components:

Item #	Qty.	Description
1	1	Winch Mount Plate
2	1	HK-001
2.1	4	5/16"-18 x 1.00" Hex Flange Bolt
2.2	4	5/16"-18 Hex Flange Nylock Nut

INSTALLATION INSTRUCTIONS:

Note: Make sure all of the hardware needed to complete this mount is in the package. Read through and understand the instructions before installing.

1. Assemble the Winch Mount Plate (1) to your winch with the hardware provided with your winch as shown in **Figure 1**. *Note: Some winches will have the motor to the right and some to the left.*
2. Install winch and winch mount plate assembly to the location shown in **Figure 2** using the supplied 5/16" hardware. (winch not shown for clarity)
3. Install your roller fairlead to OEM Frame Location. **Figure 3**
4. Recommended Contactor location shown in **Figure 4**.
5. Using the instructions provided with your winch, wire accordingly.

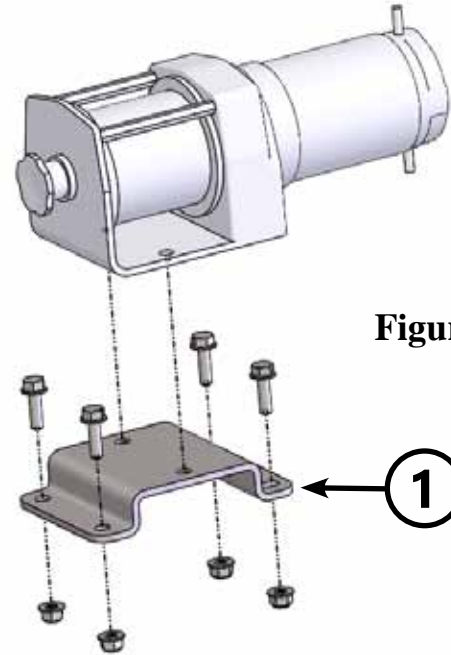


Figure 1

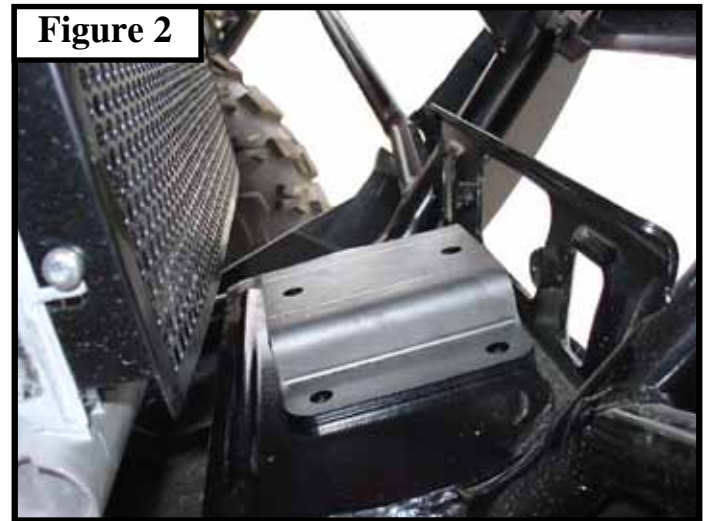


Figure 2

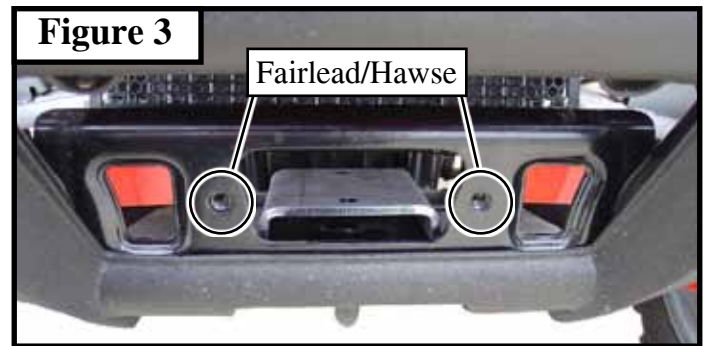


Figure 3

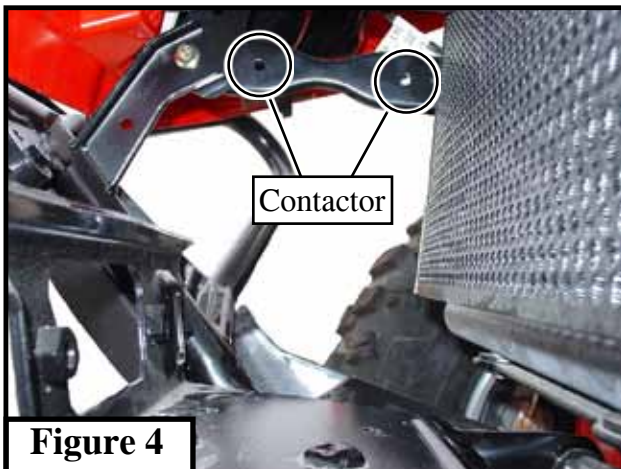


Figure 4

