

“2002-2009” Kawasaki Prairie 360

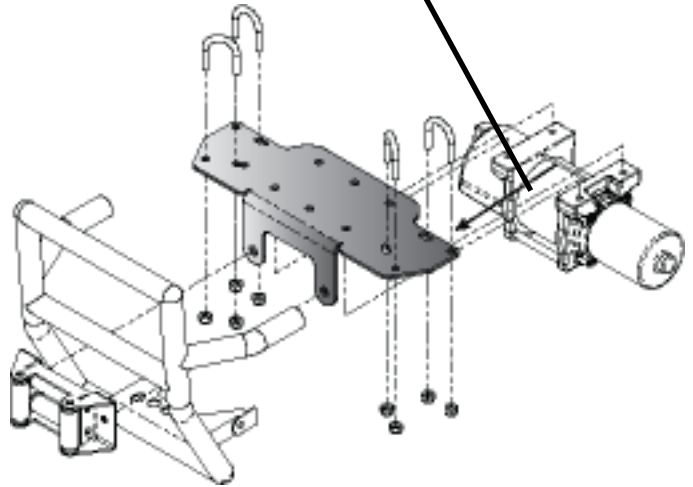
Winch Mount

PART # 100570

Kit Components:

Qty	Part Description
1.....	Winch Mount
4.....	5/16” x 1-1/4” x 1-3/4” U-Bolt
8.....	5/16” Flange Nylock Nut

When the Winch is mounted the cable should come off of the spool as shown



INSTALLATION INSTRUCTIONS:

1. Begin by assembling the mount to your front tube bumper as shown in Figure 1 and 2 using the supplied U-Bolts. Do Not tighten U-Bolts at this time. (Figure 1 & 2)
2. Assemble your Fairlead to the mounting bracket using the hardware that was supplied with your Fairlead and tighten. (Figure 1 & 2)
3. Assemble your Winch to the mounting bracket using the hardware that was supplied with your Winch and tighten. (Figure 1 & 2)
4. At this time, tighten the U-bolts from Step 1.
5. Using the instructions provided with your winch, wire accordingly.

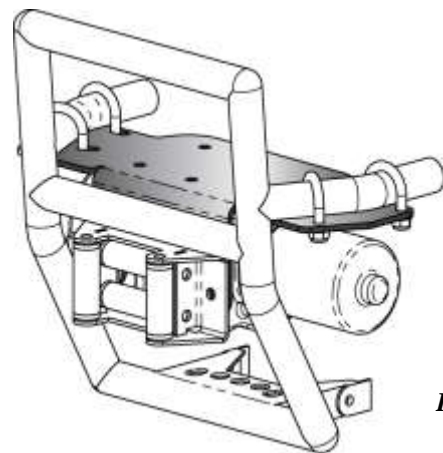


Figure 2