

Kawasaki Mule 600/610

Winch Mount PART # 100575

Kit Components: Hardware Kit: HK-028, HK-031

<u>Qty</u>	<u>Part Description</u>
1.....	Winch Mount
2.....	5/16"-18 x 1-1/4 x 1-3/4" U-Bolt
2.....	5/16"-18 x 1.00" HH Flange Bolt
1.....	5/16"-18 x 1.00" Flat Head Screw
7.....	5/16" Nylock Nuts
7.....	5/16" SAE Flat Washers
1.....	HK-031 Rocker Hardware Kit

4-HOLE MOUNTED WINCH INSTALLATION INSTRUCTIONS:

1. Remove the hardware that secures the front plastic bumper cover and remove the bumper cover. "Figure 1"
2. Place your winch inside the frame of the UTV as shown in Figure 2.
3. Place the mount into location as shown in Figure 3 and loosely attach the supplied U-bolts.
4. Attach the top of your winch to the mount and UTV by running the hardware thru the bumper frame holes, the mount plate and into your winch "Figure 3 and 4".
5. Attach the bottom of your winch to the mount by running the hardware thru your fairlead, the mount plate and into your winch "Figure 4".
6. Using the instructions with your Winch, Wire accordingly.
7. Re-install your bumper cover from step 1.



Figure 1 Remove Plastic Bumper Cover



Figure 2 Place Winch Inside The UTV Frame

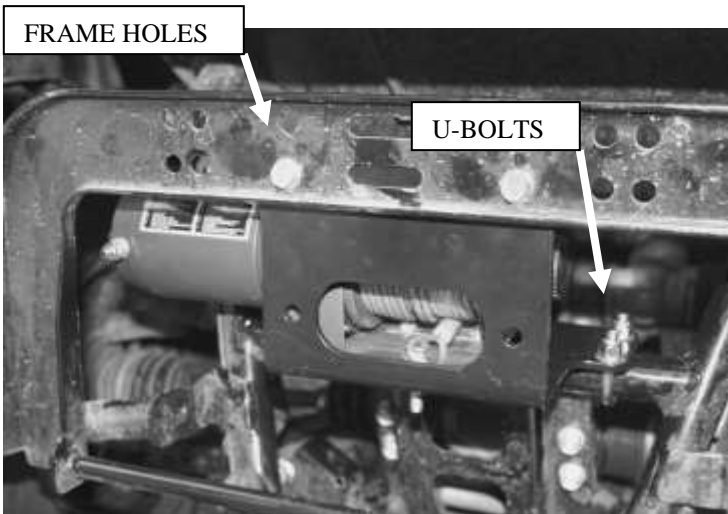
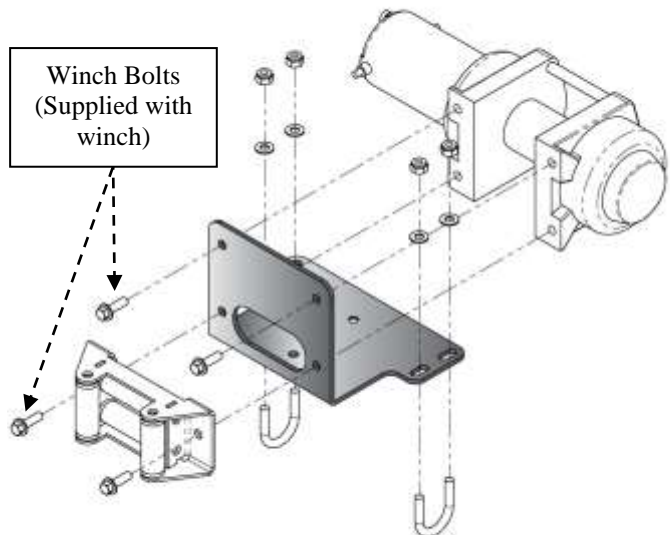


Figure 3 Place Mount Into Location and Attach (2 Hole Winch Shown)



1 *Figure 4 Assemble Winch to Mount*

2-HOLE MOUNTED WINCH INSTALLATION INSTRUCTIONS:

1. Remove the hardware that secures the front plastic bumper cover and remove the bumper cover. "Figure 1"
2. Assemble your fairlead to the mount plate using the hardware that was supplied with your fairlead. "Figure 5"
3. Assemble your winch to the mounting plate using our supplied Flat Head Screw in the counter sunk hole and the hardware supplied with your winch in the other bolting location. "Figure 5"
4. Place your Winch Assembly into location and mount to your UTV using the supplied 5/16" hardware as shown. "Figures 3 and 5"
5. Using the instructions with your Winch, Wire accordingly
6. Re-install your bumper cover from step 1.

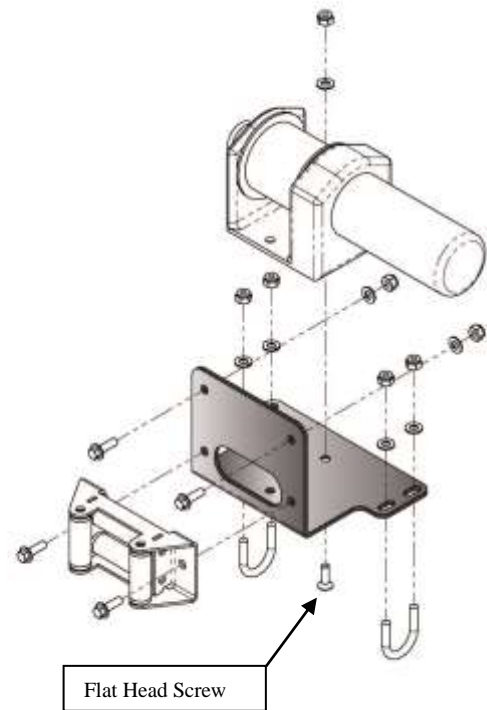
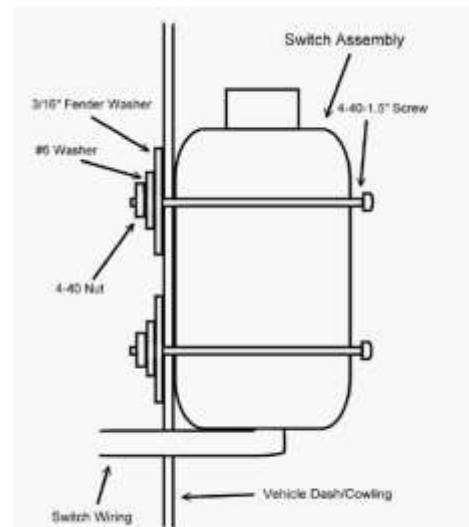


Figure 5 Assemble Winch to the Mount

Mini-Rocker Switch Hardware Kit

This allows you to mount your usual handle bar mounted switch to almost any desired location.

- a. Remove handlebar mount hardware from the switch.
- b. Locate desired mounting location
- c. Mark and drill two switch holes through dash using switch housing as a template
- d. Drill a 3rd hole for the switch wiring.
- e. Assemble per Figure 6



Optional Switch Mount Instructions*

"Figure 6" Mini-Rocker Mounting