

# Polaris Gen 2 Utility Winch Mount

Winch Mount

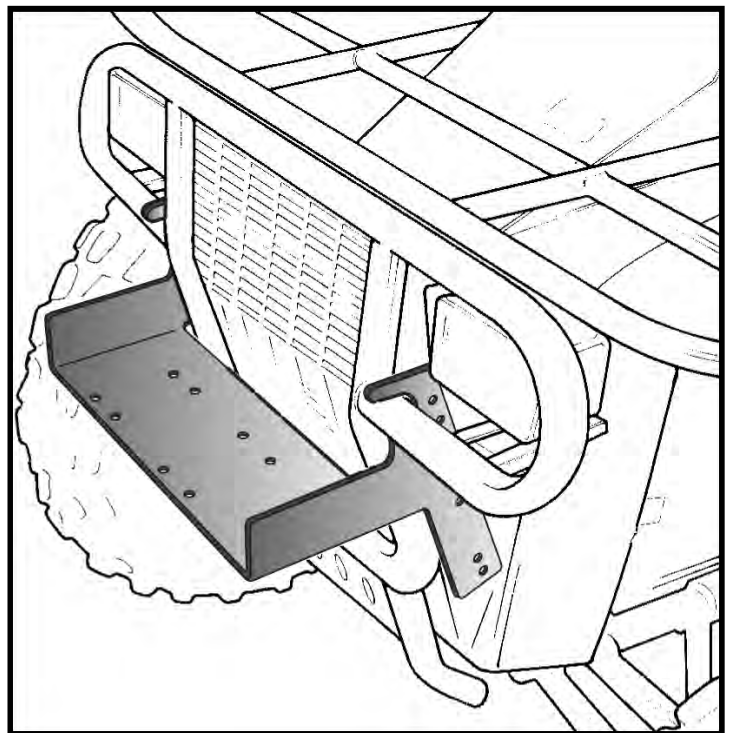
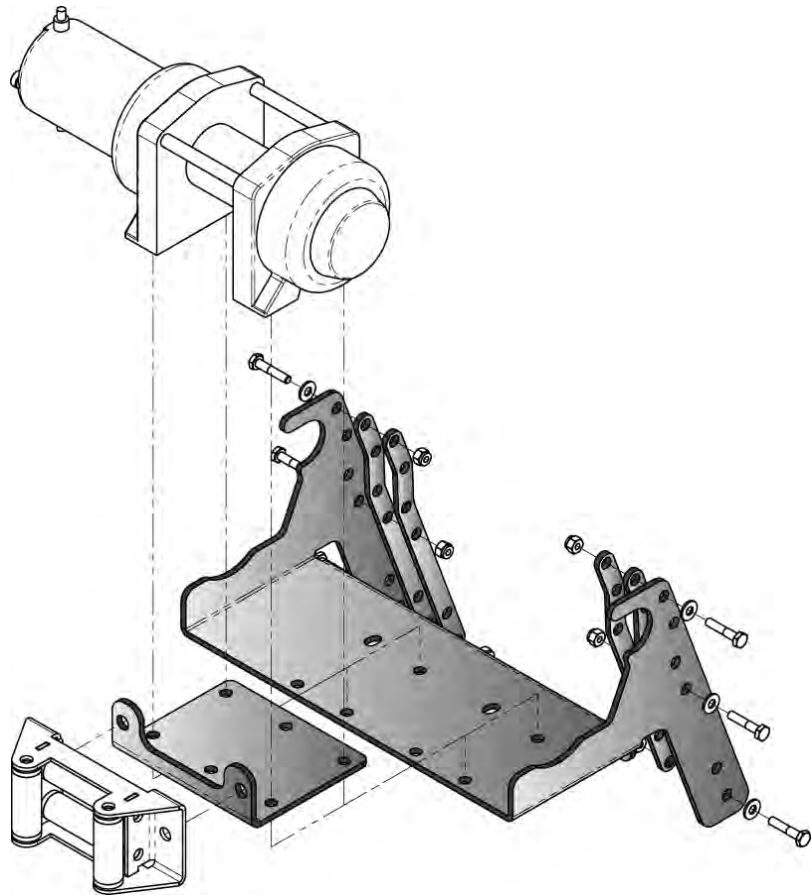
PART # 100630

## Kit Components:

<u>Qty</u>	<u>Part Description</u>
1.....	Winch Mount
1.....	Fairlead Bracket
4.....	Spacers
6.....	1/4-20 Nylock Nuts
6.....	1/4-20 x 1.25" HH Bolt
6.....	1/4" Flat Washers

## INSTALLATION INSTRUCTIONS:

1. Begin by removing the front radiator side shroud retainer buttons on each side of the bumper. (3 per side)
2. Install the winch mount on the front bumper as shown in Figure 1.
3. Place two spacers per side between the mount and your ATV frame and assemble using the supplied 1/4" hardware as shown in the exploded view above.
4. Install your fairlead to the fairlead bracket.  
*Note: With some winch packages you may need to use the fairlead bracket that came with your winch as some of the fairleads out there do not have the correct bolt pattern of 4.875"*
5. Install your winch and fairlead bracket to the winch mount using the hardware provided with your winch. *Note: You will need to select the best set of holes for placement of your winch on the mount plate. 2-Hole mounted winches will only use 2 holes for mounting the complete assembly.*
6. Using the instructions provided with your Winch wire accordingly.



“Figure 1” Mount location

