

# Polaris RANGER RZR Winch Mount

## Winch Mount

**PART # 100660**

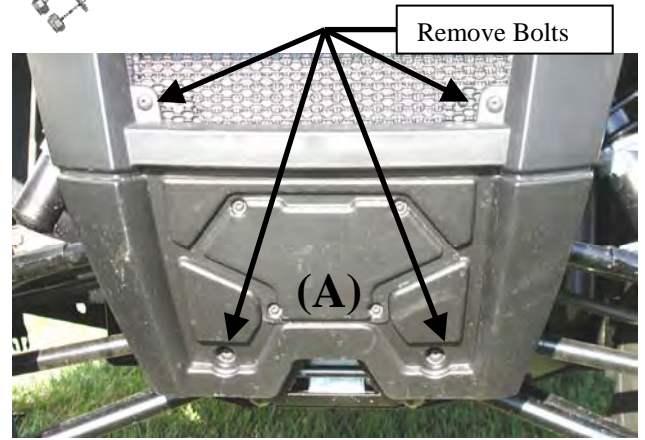
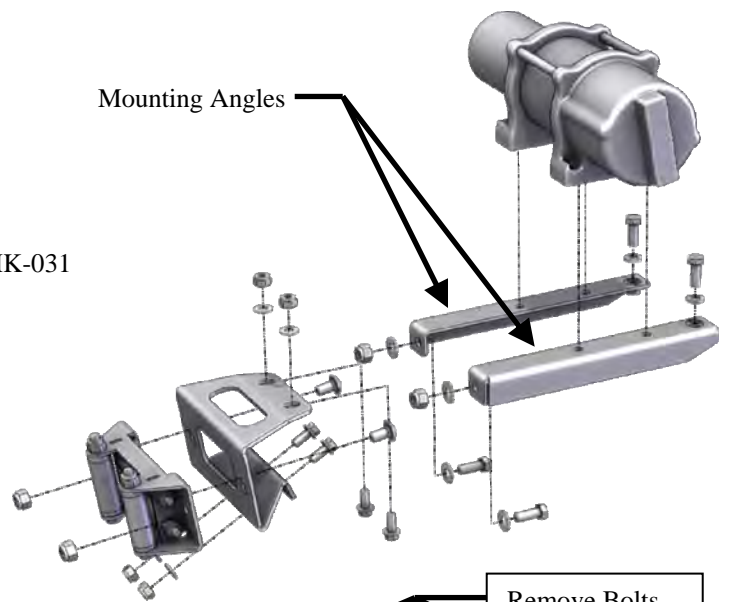
Hardware Kit – HK-032, HK-031

### Kit Components:

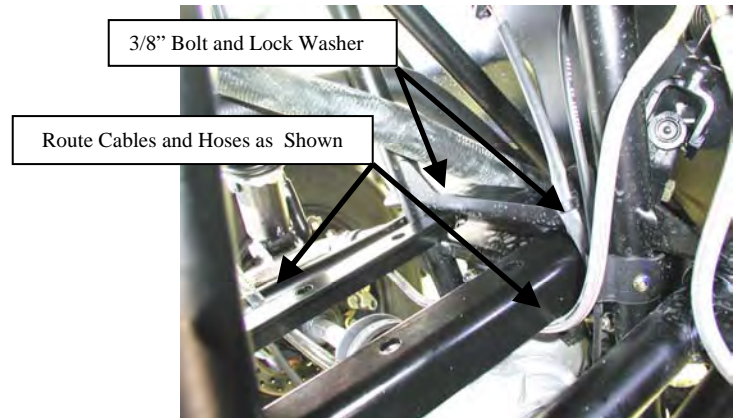
<u>Qty</u>	<u>Part Description</u>
2.....	LH and RH Winch Mounting Angle
1.....	Winch Mount fairlead bracket
4.....	5/16 x 3/4" Hex Head Flange Bolts
4.....	5/16" SAE Flat Washers
4.....	5/16" Nylock Nuts
4.....	3/8" x 1" Hex Head Bolts
4.....	3/8" SAE Flat Washers
2.....	3/8" Lock Washers
2.....	3/8" x 3/4" Shortneck Carriage Bolt
4.....	3/8" Nylock Nut
2.....	Piggyback Quick-Connect
1.....	Hardware kit (Mini-Rocker Switch)

## INSTALLATION INSTRUCTIONS:

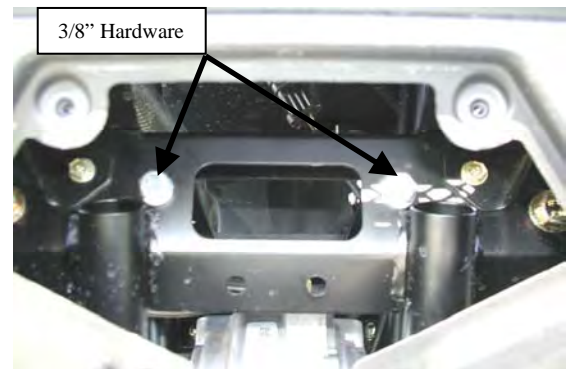
1. Begin by removing the plastic cover (A) and discarding as shown in Figure 1.
2. For ease of assembly remove 4 bolts as shown in Figure 1.
3. Place LH and RH mounting angles into position as shown in Figure 2 and 3. Assemble using the 3/8" hardware supplied as shown in the above exploded view. (Note: Make sure you route the cables and hoses as shown in Figure 2)
4. Connect the shorter 2 electrical wires to your winch. (Note: Your winch manual may state the opposite, but you will need to connect the shorter wires to your winch)
5. Place your Winch into position as shown in the above exploded view and assemble using the hardware that was supplied with your winch. (Note: If you are installing a 2-hole mounted winch you will need to first install the optional not included Converter Mount #100480 as shown in Figure 4)



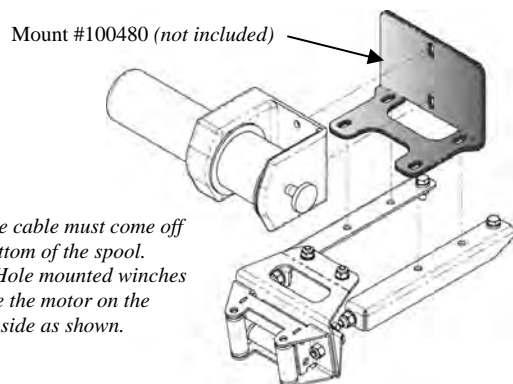
"Figure 1" Remove Cover and bolts



"Figure 2" Rear of Mounting Angles

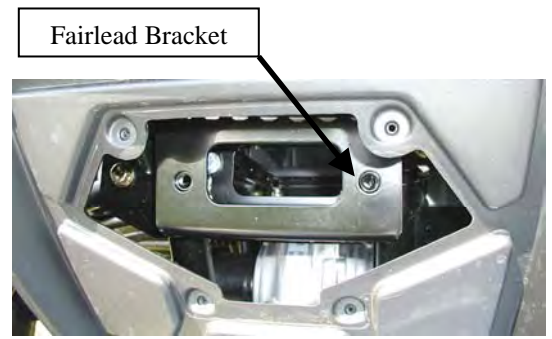


"Figure 3" Front of Mounting Angles



"Figure 4"  
Exploded View of a 2-Hole Mounted Winch

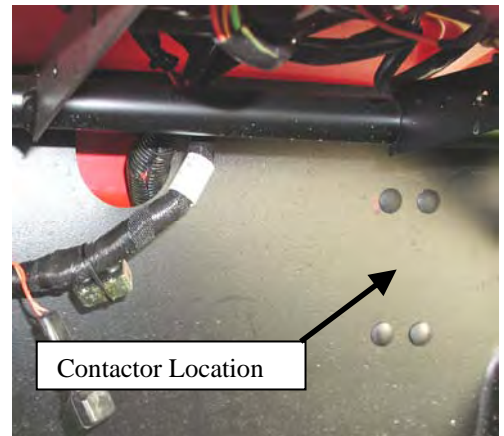
6. Assemble the Fairlead Bracket to the RZR Frame as shown in Figure 5 and the exploded view above using the 5/16" hardware supplied.
7. Assemble your Fairlead to the fairlead bracket while routing the cable thru. Attach your hook.
8. Replace hardware removed from Step 2.
9. Using the instructions provided with your winch, wire accordingly.



"Figure 5" Mount Fairlead Bracket

### CONTACTOR LOCATION

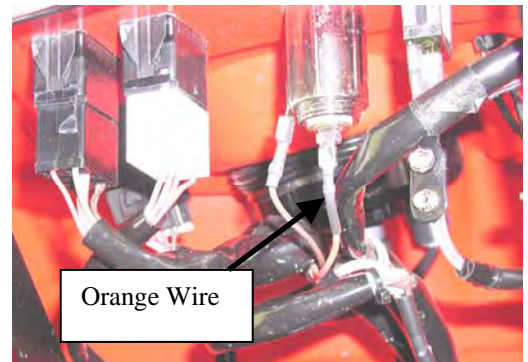
Contactor location is just above the passengers feet as shown in Figure 6. (Note: You may need to re-drill the contactor mounting holes as there are a few contactors that will not have the same mounting bolt pattern that is on your RZR)



"Figure 6" Contactor Location

### SWITCH IGNITION WIRE

1. Crimp the red wire from the remote or switch to the included Piggyback Quick Connect.
2. Remove the ORANGE electrical wire from the accessory outlet and connect it to the piggyback electrical connector. Figure 7
3. Connect the Piggyback connector to the accessory outlet.

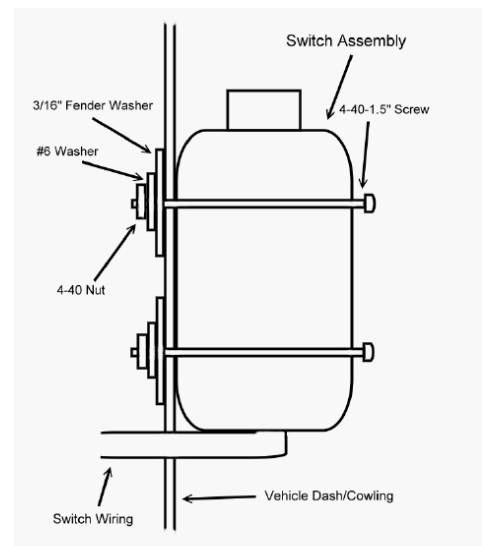


"Figure 7" Switch Ignition Wire

### Mini-Rocker Switch Hardware Kit

This allows you to mount your usual handle bar mounted switch to almost any desired location.

- a. Remove handlebar mount hardware from the switch.
- b. Locate desired mounting location
- c. Mark and drill two switch holes through dash using switch housing as a template
- d. Drill a 3<sup>rd</sup> hole for the switch wiring.
- e. Assemble per Figure 8



**Optional Switch Mount Instructions\***

"Figure 8" Mini-Rocker Mounting