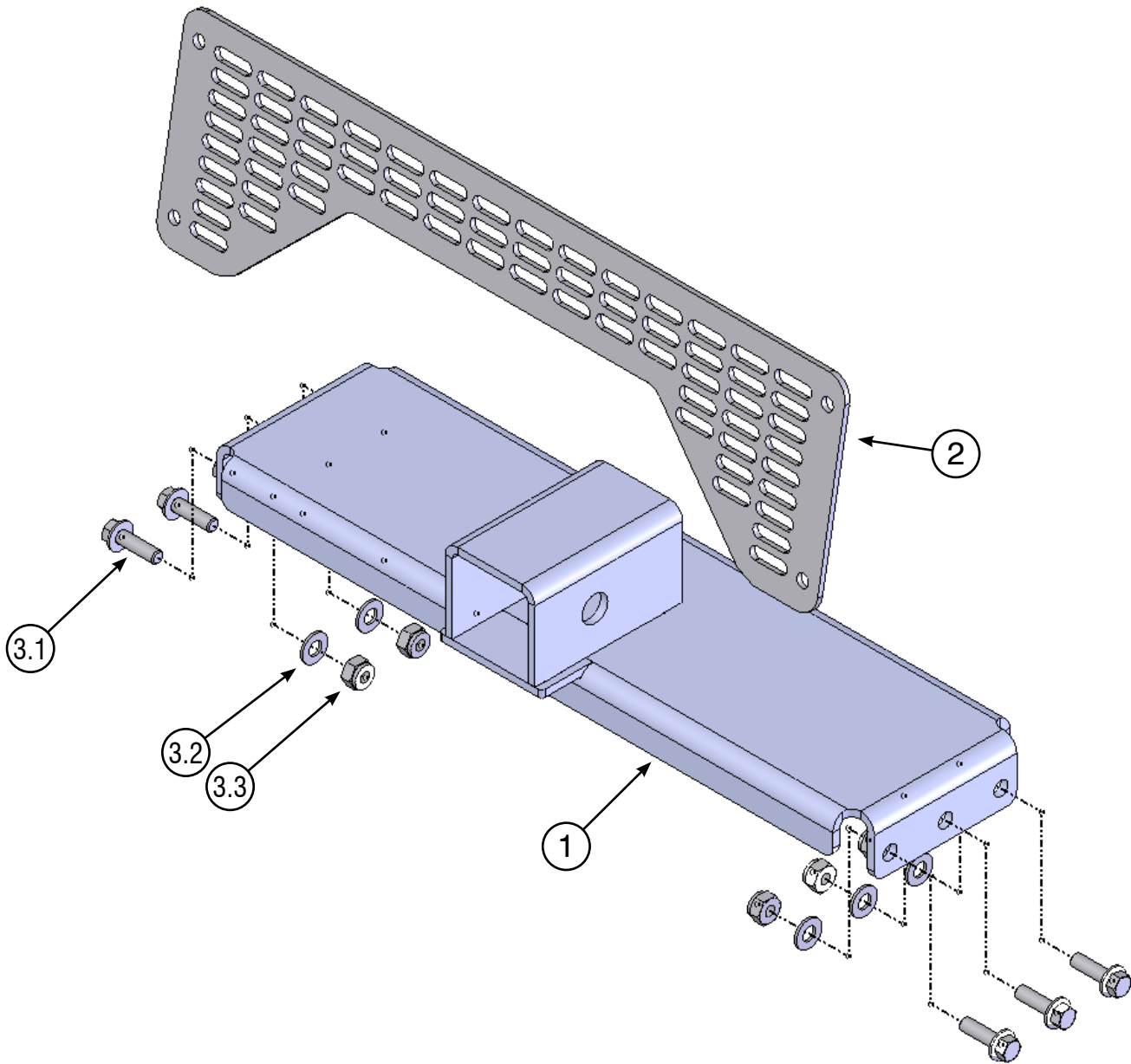


# POLARIS RANGER

Upper 2" Receiver

PART #100675 Rev C



### Kit Components:

Item #	Qty.	Description	Item #	Qty.	Description
1	1	(100676) Upper 2" Receiver	3.1	6	5/16"-18 X 1.00" Hex Bolt Flange GR5 Serrated
2	1	(100678) Receiver Grill	3.2	6	5/16" Flat Washer
3	1	Hardware Kit HK-017	3.3	6	5/16"-18 Hex Nut Nylock GR5

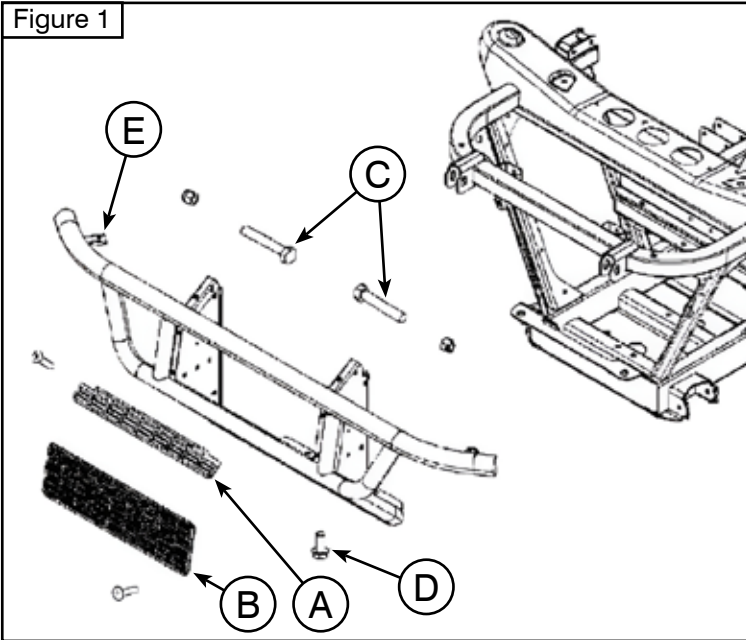


# INSTALLATION INSTRUCTIONS

## Notice

Torque bolts to ANSI Specs (or OEM specs if applicable), unless otherwise stated. After the first use and at the start of each season, check torque.

Figure 1



**Note:** Make sure all hardware needed to complete this mount is in the package. Thoroughly read through and understand the instructions before installing.

## Installation Instructions

1. Using a torx bit, remove both the small grill (A) and large grill (B) that are attached to the bumper. See **Figure 1**.
2. Using a torx bit, remove the six torx screws (G) that hold the side plastic radiator shrouds to the bumper as shown in **Figure 2**.
3. Using a flat screwdriver, remove the two plastic fasteners from the bumper tabs (E). See **Figure 1**.
4. Remove the three lower bumper bolts (D). See **Figure 1**.
5. Remove the two top bumper bolts (C). See **Figure 1**.
6. Install the Receiver (1) into location as shown in **Figure 3** using the supplied 5/16" hardware (13.1-13.3) as shown in the **Exploded Diagram** and **Figure 2**.
7. Install the Receiver Grill (2) using the screws that were removed in step 1. See **Exploded Diagram**.

Figure 2

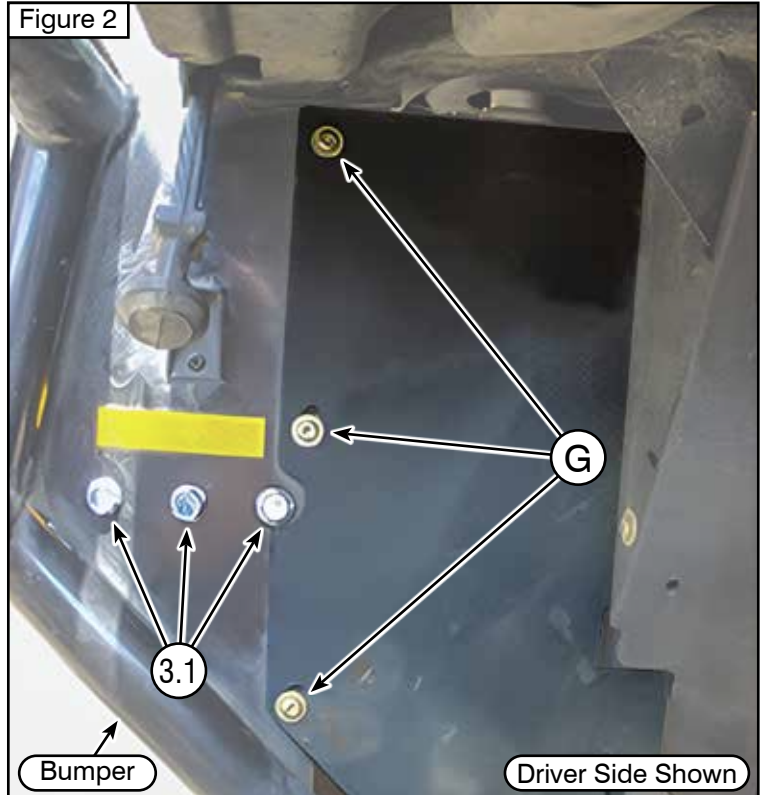


Figure 3

