

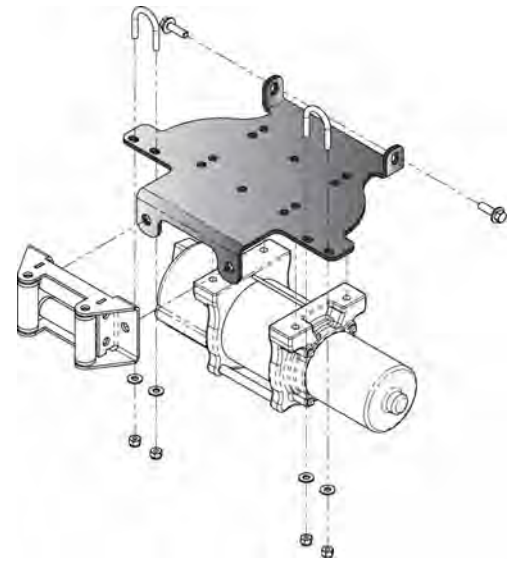
“2001-2004” Honda Rubicon

Winch Mount

PART # 100685

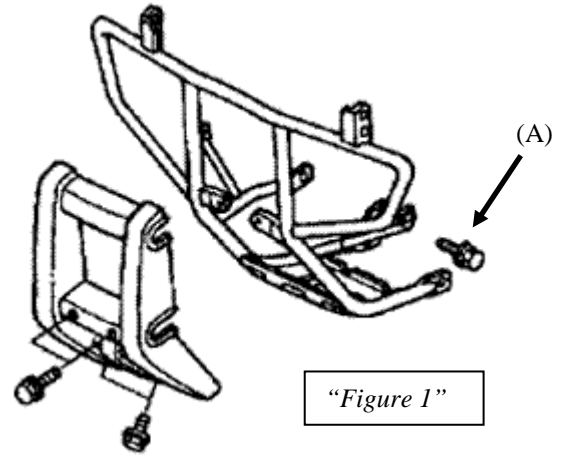
Kit Components:

<u>Qty</u>	<u>Part Description</u>
1.....	Winch Mount
2.....	¼”-20 x 1” x 1-½ “ U-Bolt
4.....	¼” Nylock Nut
4.....	¼” Flat Washer
2.....	M8-1.25 x 25mm HH Bolt



INSTALLATION INSTRUCTIONS:

1. Begin by removing the (4) bolts that hold on the front plastic bumper cover as shown in Figure 1.
2. Remove the (2) middle bumper bolts (A) that attach the bumper to the middle of the ATV frame as shown in Figure 1. These two bolts will be replaced with the (2) supplied M8 bolts.
3. Place the mounting plate into position on the front bumper as shown in Figure 2. Install (2) U-bolts, (4) washers, (4) lock nuts and the (2) M8 Bolts that are supplied with this kit as shown in exploded view above.



“Figure 1”

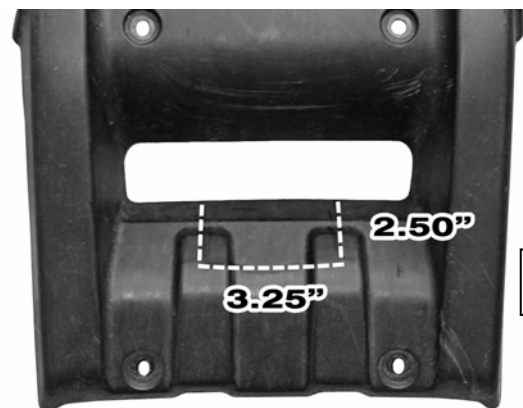
4. Mount your winch to the mounting bracket using the supplied hardware that you received with your winch. There are two sets of 4-hole mounted winch holes, use the appropriate holes for your winch so that the winch does not collide with the ATV Frame.
NOTE: Warn RT/XT winch shown, some winches may have the motor on the opposite side. Just make sure that your winch cable is coming off of the spool between the mounting plate and the winch spool.



“Figure 2” Place Mount Into Position

5. You will need to trim the plastic bumper cover approximately as shown in Figure 3 for cable clearance.
6. Re-install the bumper cover that was removed.
7. Now you can tighten all nuts and bolts to the recommended torque of:
 - 8mm bolts -37 N-m (27 ft-lb)
 - ¼” U-bolts -10 N-m (7 ft-lb)
8. Attach your fairlead to the fairlead mounting location using hardware that was supplied with your winch or fairlead. Torque fairlead bolts to approx. 25 ft-lb
9. Using the instructions provided with your Winch, wire accordingly.

HINT: A good spot for the Contactor is under the seat, above the battery, and bolted to the plastic on the side.



“Figure 3”

