

# Honda Rancher Front 2" Receiver

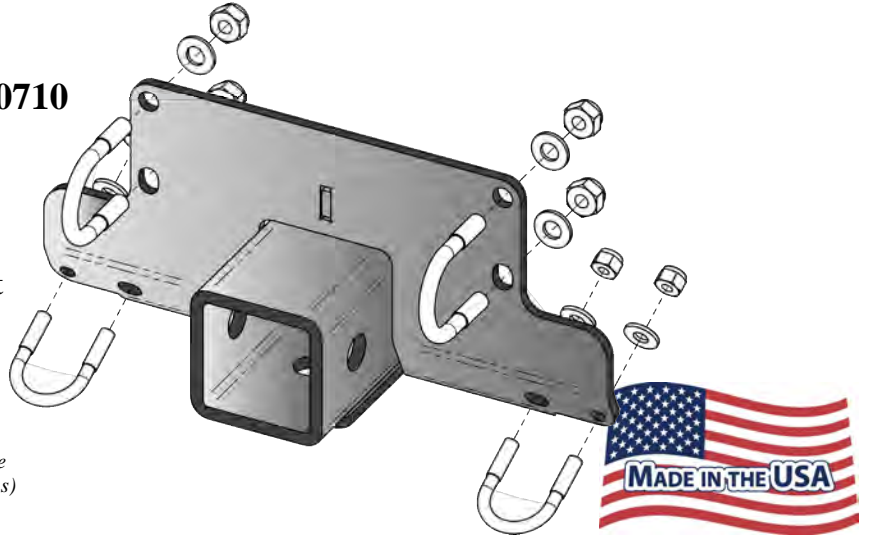
## Winch Mount

PART # 100710

### Kit Components:

Qty	Part Description
1.....	Winch Mount
4.....	1/4" x 1" x 1-1/2" " U-Bolt
2.....	5/16" x 1-1/4" x 1-3/4" " U-Bolt
8.....	1/4" Nylock Nuts
4.....	1/4" Flat Washers
4.....	5/16" Nylock Nuts
4.....	5/16" Flat Washers

(NOTE: There may be a few extra pieces of hardware that will not be used with this kit. This bolt kit is used for a few different applications)



## INSTALLATION INSTRUCTIONS:

1. Remove the top (2) plastic rivets and the bottom (2) bolts to remove the front plastic bumper cover. "Figure 1"
2. Assemble the receiver to your bumper as shown in Figure 2. Do not tighten at this time. The 5/16" U-bolts to the Top and 1/4" U-bolts to the bottom.
3. Tighten the Top 5/16" U-bolts and then Tighten the Bottom 1/4" U-bolts.
4. Re-assemble the Bumper Cover.



"Figure 2" Receiver Location

**NOTE: If you are going to use this for a Multi-Mount Winch application, here is the suggested Contactor Location Using the supplied hardware**

- Assemble loose and connect wires. Once the wires are connected rotate contactor into location and tighten the u-bolts.



"Figure 1" Remove front Plastic Bumper Cover

