

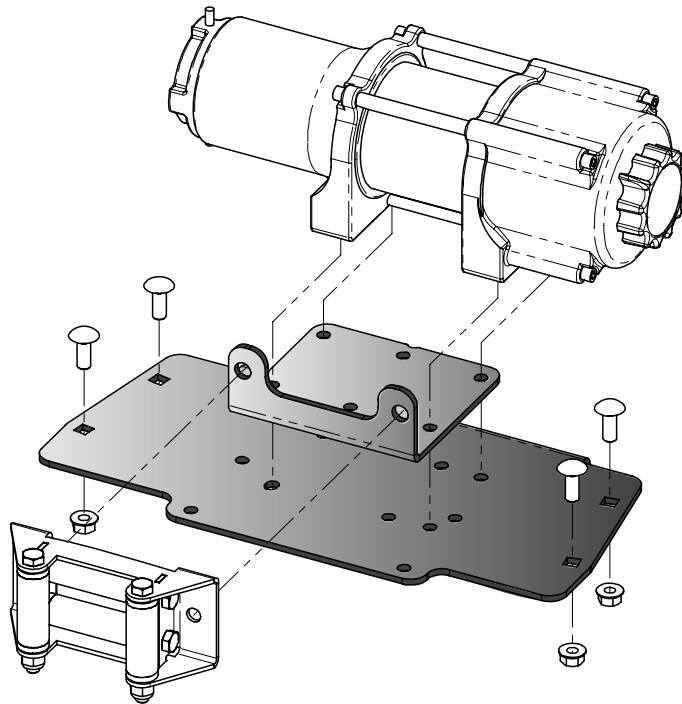
KUBOTA RTV500 **Winch Mount**

Winch Mount

PART # 100800

Kit Components:

Qty	Part Description
1.....	Replacement Winch Mount Plate
1.....	Winch Mount Fairlead bracket
4.....	3/8"X 1" S.N. Carriage Bolt
4.....	3/8" SAE Flat Washer
4.....	3/8"Nylock Nut
1.....	Hardware kit (Mini-Rocker Switch)



INSTALLATION INSTRUCTIONS:

1. Remove the stock plate by removing the two carriage bolts shown in Figure 1.
2. Replace the OEM Plate with the new included winch mount plate using the included hardware (Figure 2).
3. Attach your Roller/Hawse Fairlead to the Fairlead Bracket as shown in the above exploded view using the hardware that was supplied with you Fairlead.
4. Determine where you are mounting your contactor and assemble the appropriate winch wires to the winch.
5. Place your winch into the winch pocket.
6. Place your assembled fairlead plate between your winch and the mounting plate. You will then need to align the mounting plate, the fairlead plate and the winch using the bolts patterns shown on page 2. (you can align these from under the machine)

(Note: with some of the wider winches you may need to do some slight plastic trimming to make clearance for the motor and clutch.)

7. Assemble your winch to the mounting plate and fairlead plate from under the machine using the hardware included with your winch.
8. Using the instructions provided with your winch, wire accordingly.



“Figure 1” Remove Stock Plate

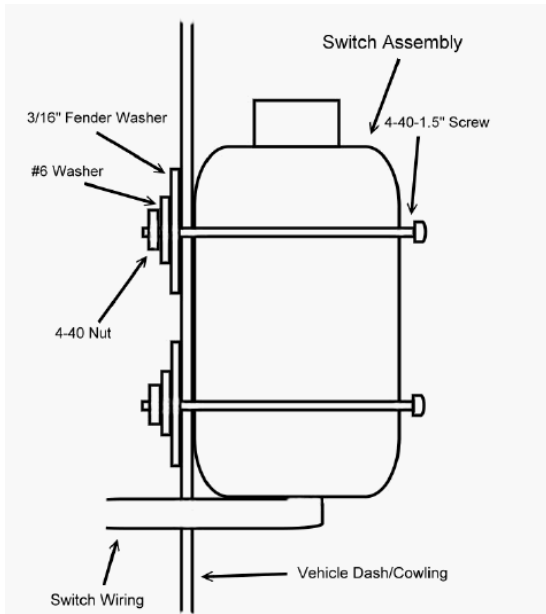


“Figure 2” Assemble new mount plate

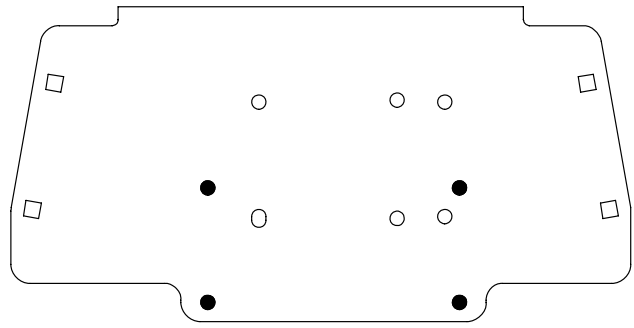
Mini-Rocker Switch Hardware Kit

This allows you to mount your usual handle bar mounted switch to almost any desired location.

- Remove handlebar mount hardware from the switch.
- Locate desired mounting location
- Mark and drill two switch holes through dash using switch housing as a template
- Drill a 3rd hole for the switch wiring.
- Assemble per Diagram below

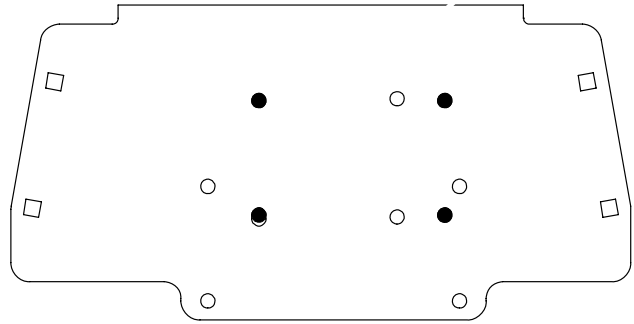


Optional Switch Mount Instructions*



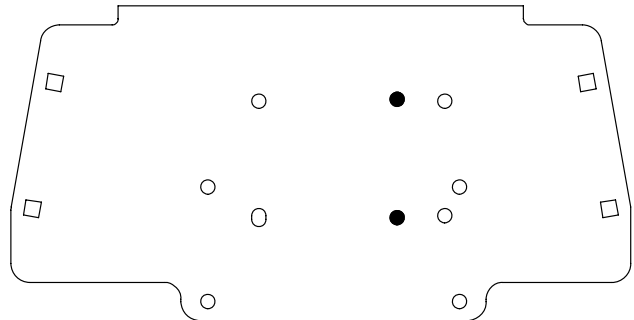
STANDARD WIDE UTV WINCHES

*KFI U4000w, WARN RT/XT40



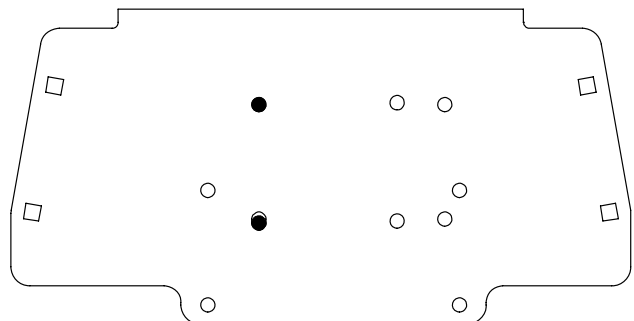
STANDARD ATV WINCHES

* KFI U4000/U4500, WARN RT/XT25,30, MOST OTHER 4-HOLE WINCHES.



STANDARD 2-HOLE WINCHES

*KFI S2000, CHAMPION, MANY OTHER 2-HOLE WINCHES.



OPPOSITE 2-HOLE WINCHES

*MANY OFF-BRAND 2-HOLE WINCHES.

Winch Locations