

LANDMASTER 4x4

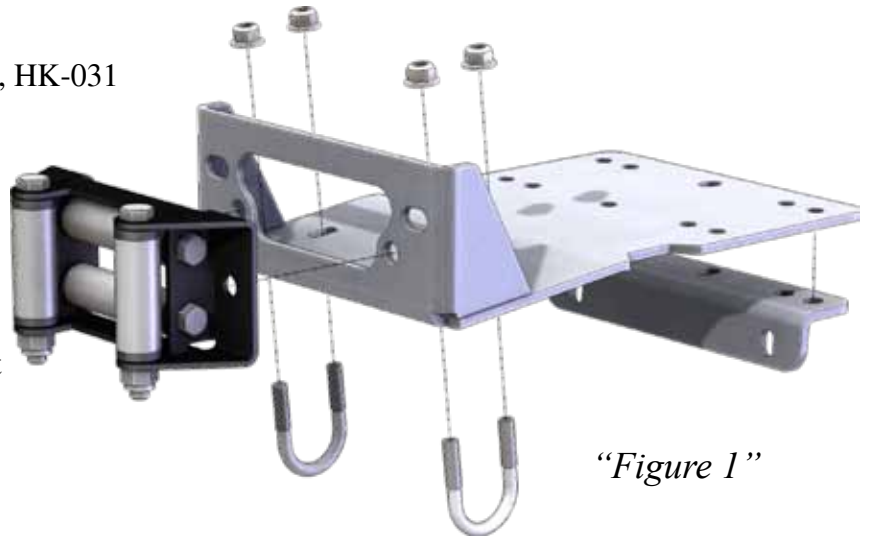
Winch Mount

PART # 100950

Hardware Kit: HK-110, HK-031

Kit Components:

Qty.	Part Description
1.....	Winch Mount Plate (100951)
1.....	Winch Mount Bracket (100952)
2.....	5/16"-18 x 1 1/4" x 2" U-Bolt
4.....	5/16"-18 Nylock Hex Flange Nut
1.....	UTV Mini Rocker Kit (HK-31)

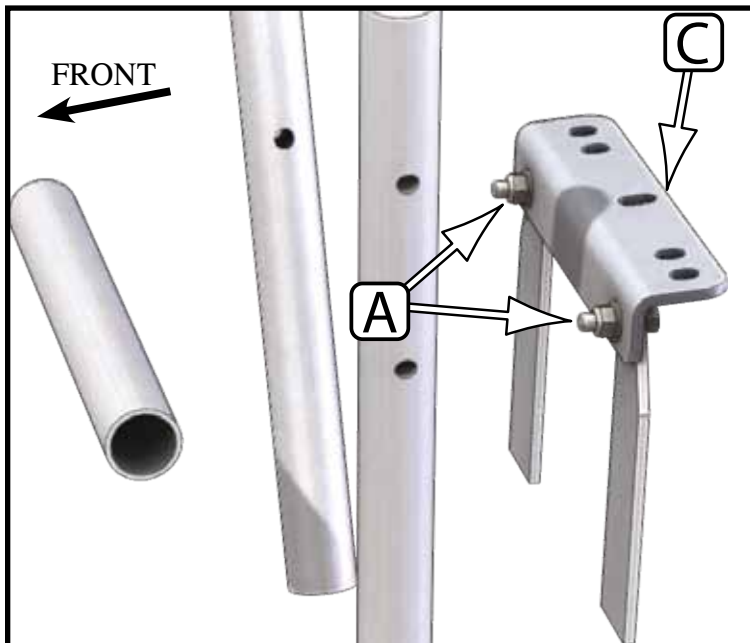


“Figure 1”

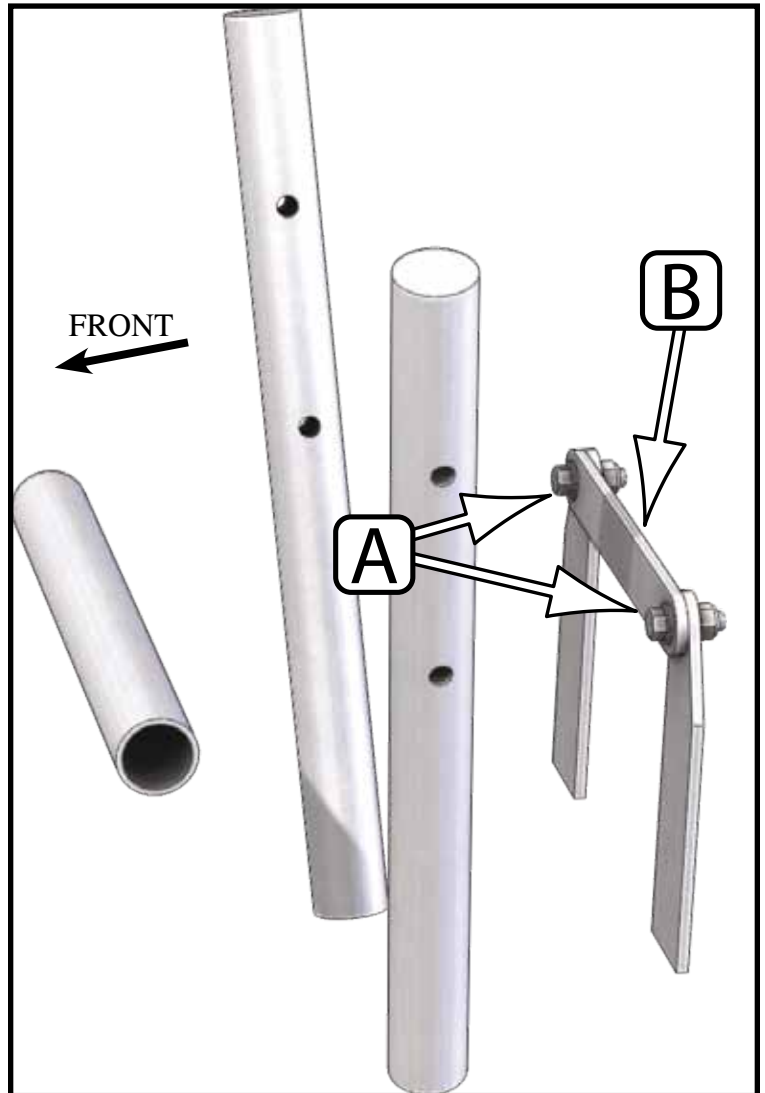
INSTALLATION INSTRUCTIONS:

1. Remove the bolts and nuts (A) that hold on the support bracket (B). See Figure 2. Remove the bracket. Be sure to keep the nuts and bolts for reuse on the mount.
2. Replace support bracket with winch mount bracket (C) as shown in Figure 3. Reuse hardware (A) that was removed in Step 1.

Note: Make sure you install the bolt and nut as shown in Figure 2 as it will be hard to install winch bolts if not.



“Figure 3” Bracket Install

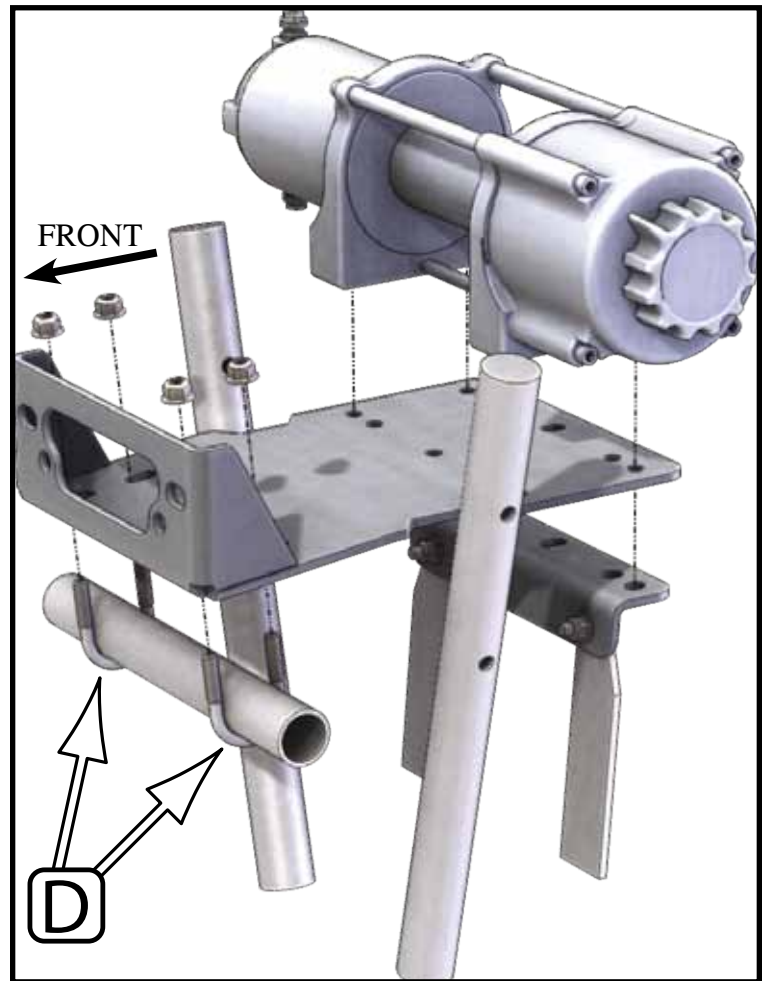


“Figure 2” Support Plate Removal

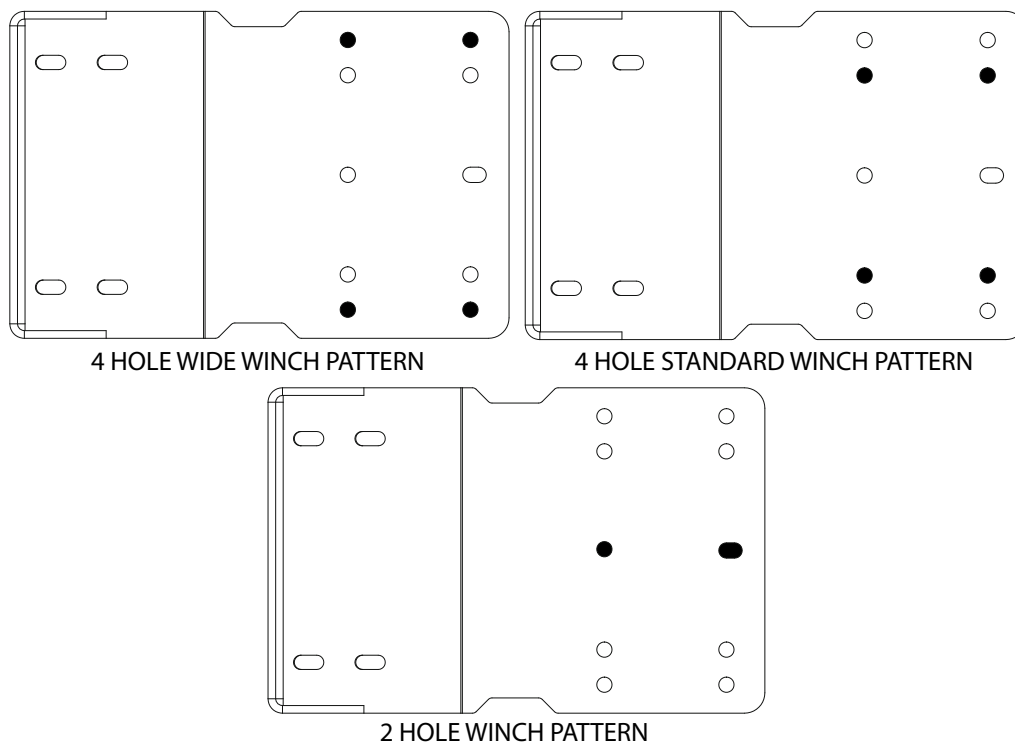
3. Place mount into position as shown in Figure 4.
4. Align front slots with tube and loosely install U-Bolts (D) as shown in Figure 4.
4. Install the winch to the winch mount using the hardware provided with your winch. See Figure 6 for winch mounting pattern.
5. Tighten all hardware.
6. Install roller fairlead using the hardware provided with your winch. (See Figure 1)
7. Use the instructions provided with your winch, wire accordingly.



“Figure 5” Fully Installed



“Figure 4” Mount Plate & Winch Install



“Figure 6” Winch Hole Pattern Chart

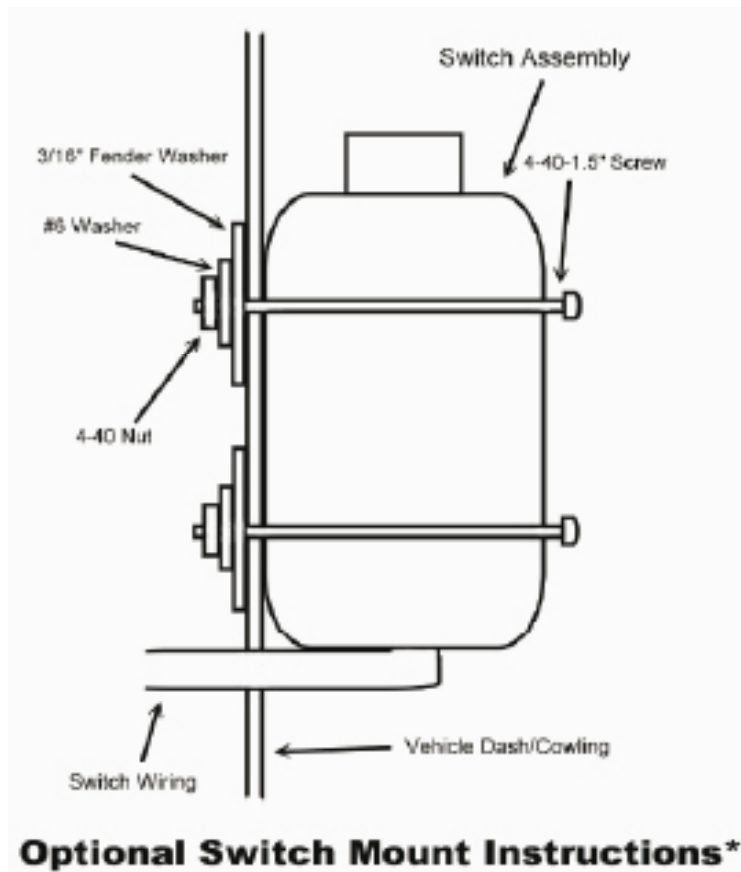


WIRING INFORMATION

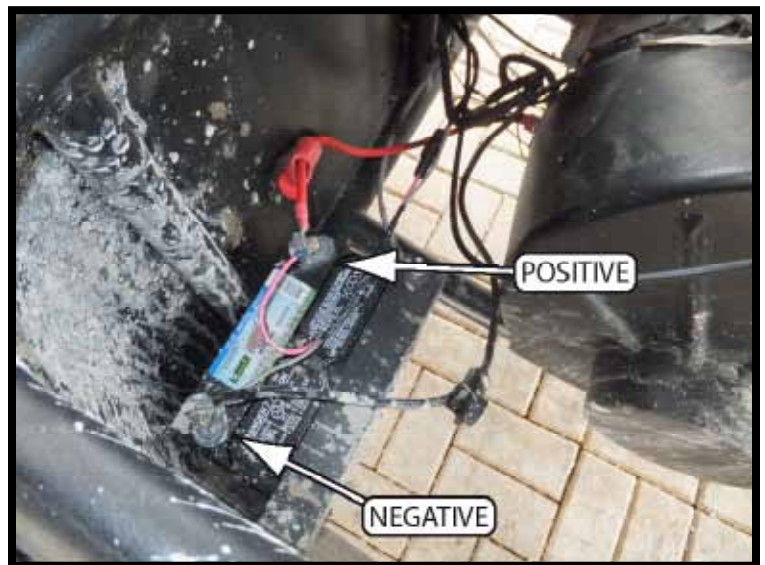
1. For contactor location please see “Figure 7”. *This is located under the seat next to the battery.*
2. Mini-Rocker Switch Hardware kit. This allows you to mount your usual handle bar mounted switch to almost any desired location.
 - a. Remove handlebar mount hardware from the switch.
 - b. Locate desired mounting location
 - c. Mark and drill two switch holes through dash using switch housing as a template
 - d. Drill a 3rd hole for the switch wiring.
 - e. Assemble per Figure 9.
3. Find a location that suits your purposes for the mini-rocker switch and hand remote.



“Figure 7” Contactor Location



“Figure 9” Mini-Rocker Mounting



“Figure 8” Battery Location
(Battery is located under the seat.)