

ARCTIC CAT WILDCAT

Winch Bracket

PART # 101015

Requires Part # 101000

Hardware Kit: HK-031

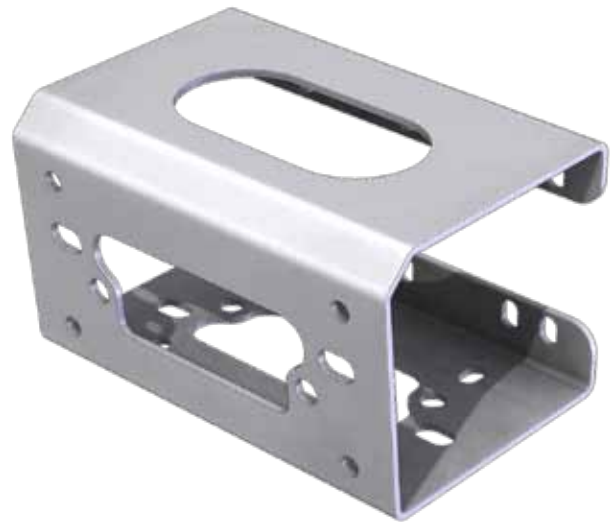
Kit Components:

Qty.	Part Description
1.....	Winch Bracket
1.....	UTV Mini-Rocker Hardware Kit

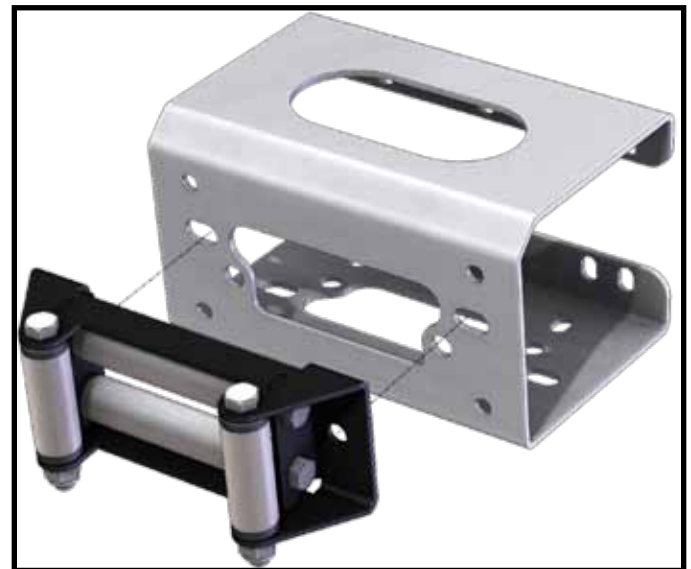
INSTALLATION INSTRUCTIONS:

1. Install roller fairlead to winch bracket using the hardware provided with your winch as shown in Figure 2.
2. Install winch and winch bracket assembly to replacement grill using the hardware provided with your winch. See Figure 3.
3. Install Replacement Grill (101000) with attached winch mount. See Replacement Grill manual.
4. Tighten down all bolts.
5. Using the instructions provided with your winch, wire accordingly. See wiring page in Winch Bracket manual for wiring locations and specifics.

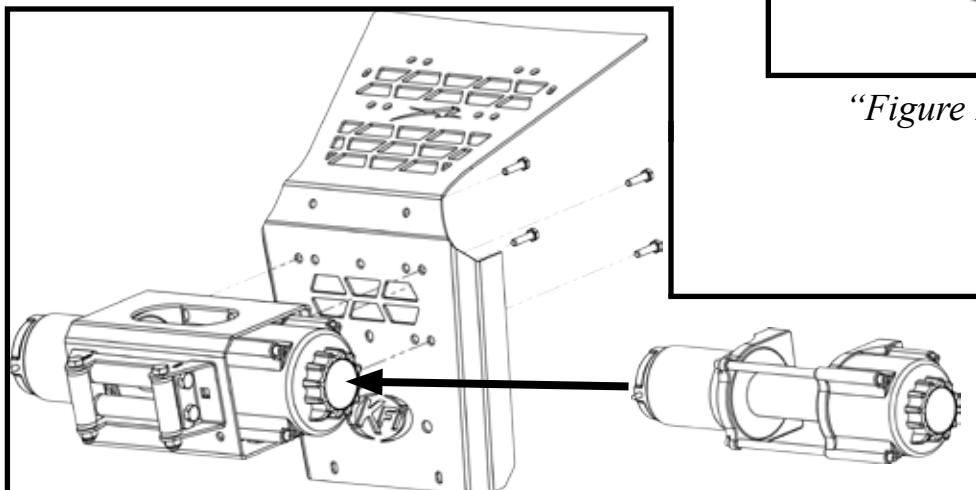
See Page 2 for alternate install location.



“Figure 1”



“Figure 2” Roller Fairlead Install



“Figure 3” Winch Orientation and Winch Bracket Install



Alternate Install Location

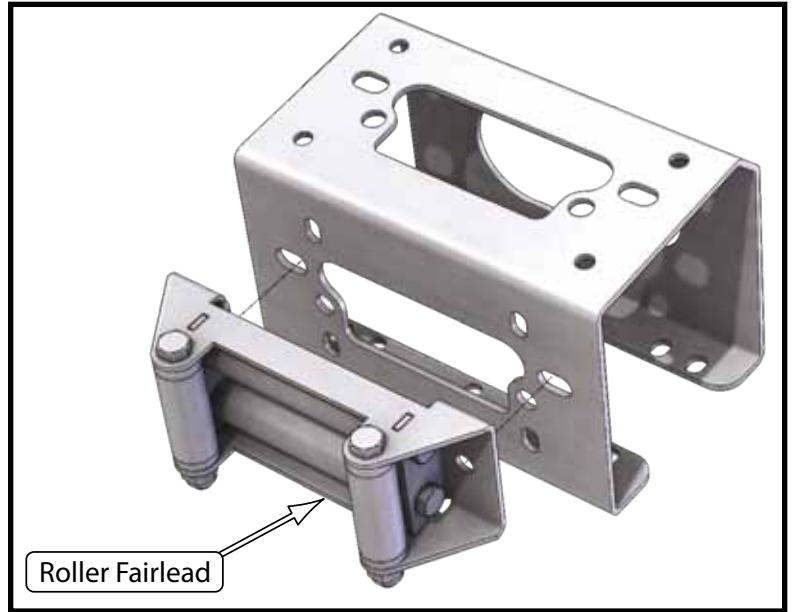
1. Install Replacement Grill (PT# 101000). See Replacement Grill manual.
2. Install roller fairlead to winch bracket using the hardware provided with your winch as shown in Figure 4.

Note: Hardware must be installed with the nut and lock washer on the roller fairlead side.

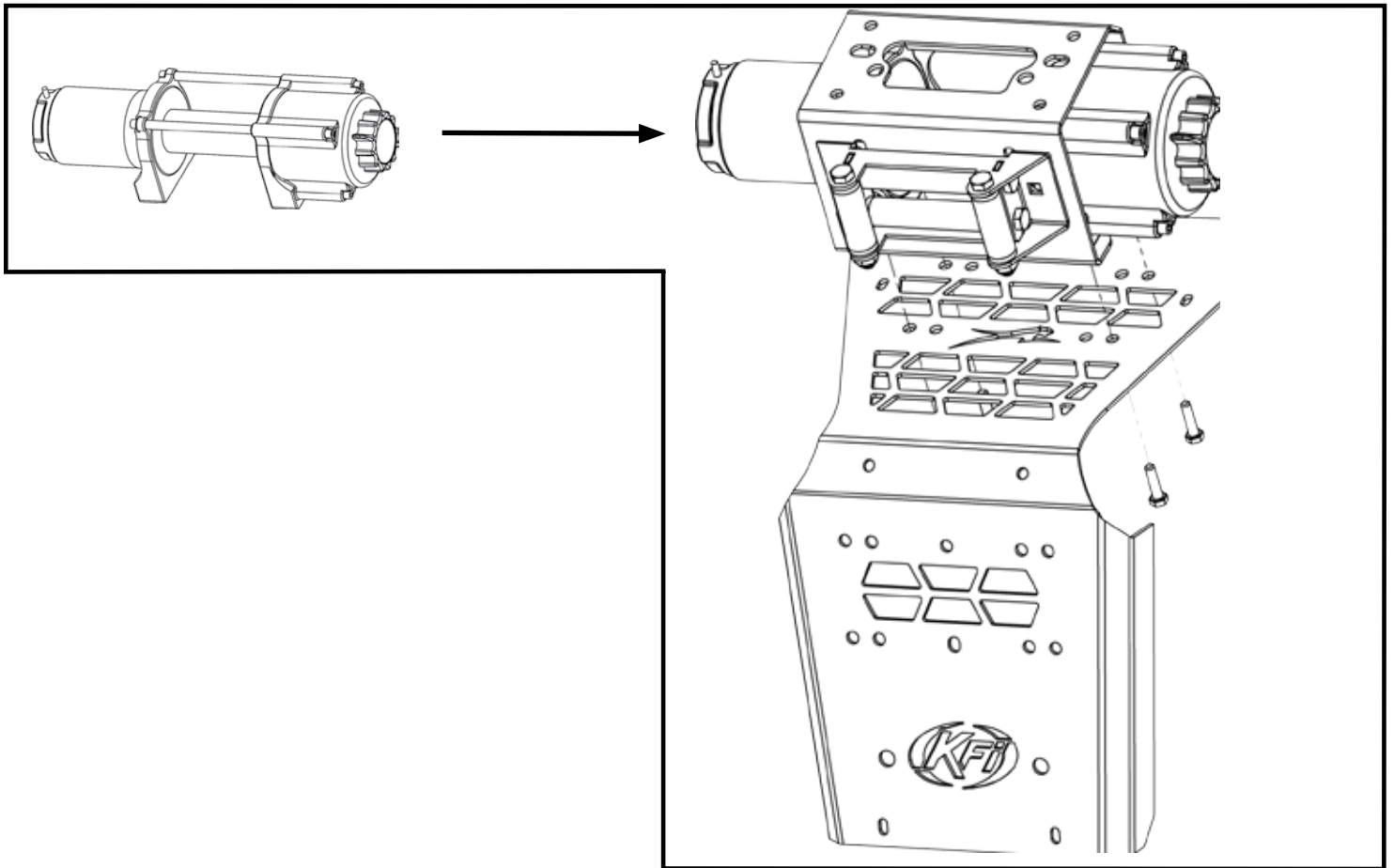
3. Install winch, winch plate assembly, and support bracket using the 25mm hardware provided with your winch.

Note: Support Bracket (PT# 101011) is sold separately.

4. Fasten all bolts.
5. Using the instructions provided with your winch, wire accordingly. See wiring page in Winch Bracket manual for wiring locations and specifics.



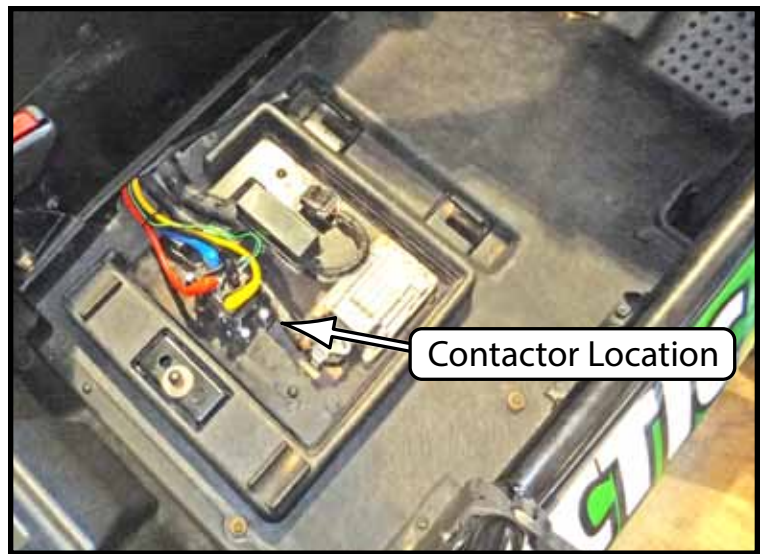
“Figure 4” Alternate Roller Fairlead Install



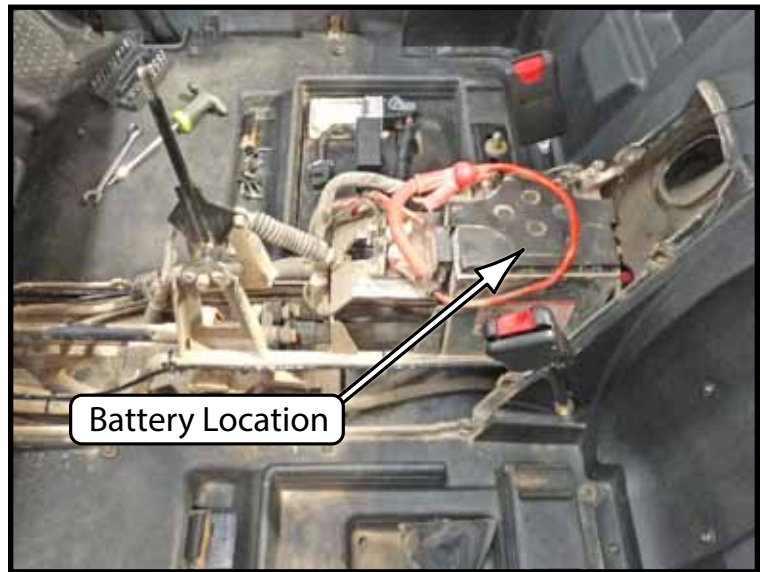
“Figure 5” Alternate Install Location and Winch orientation

WIRING INFORMATION

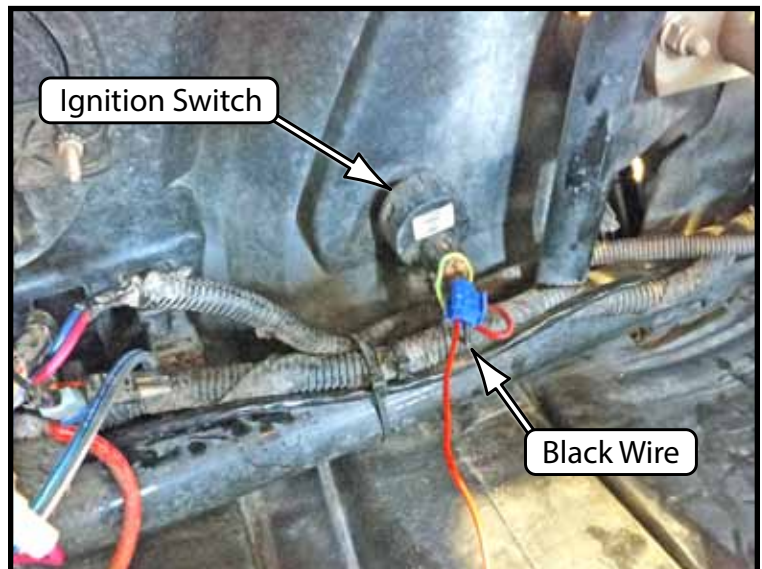
1. For contactor location please see “Figure 6”. Mounting the contactor in this location requires drilling of 4 holes.
2. Mini-Rocker Switch Hardware kit. This allows you to mount your usual handle bar mounted switch to almost any desired location.
 - a. Remove handlebar mount hardware from the switch.
 - b. Locate desired mounting location
 - c. Mark and drill two switch holes through dash using switch housing as a template
 - d. Drill a 3rd hole for the switch wiring.
 - e. Assemble per Figure 9.
3. Find a location that suits your purposes for the mini-rocker switch and hand remote.
4. Connect the red wire from the mini-rocker switch to the black wire on the back of the ignition switch using the supplied quick connector. See Figure 8.



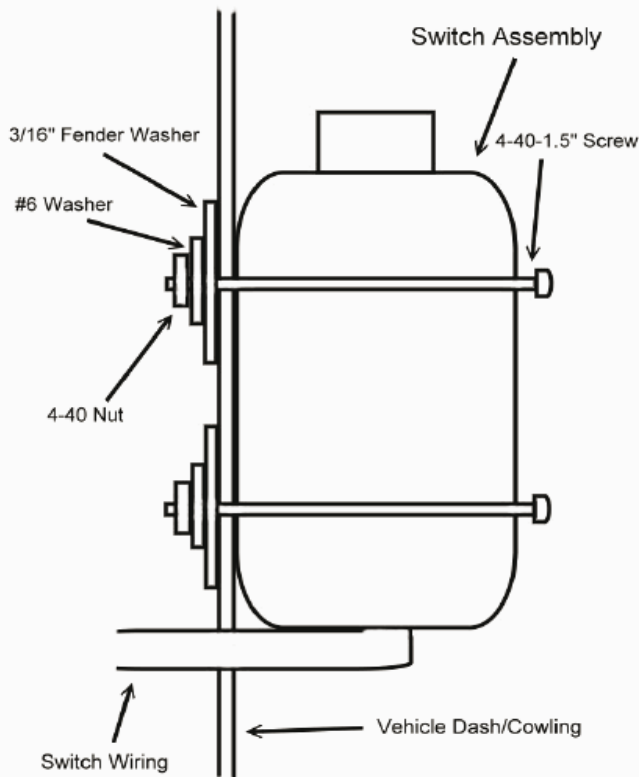
“Figure 6” Contactor Location (Passenger Seat)



“Figure 7” Battery Location



“Figure 8” Mini-Rocker Power Wire Location



Optional Switch Mount Instructions*

“Figure 9” Mini-Rocker Mounting