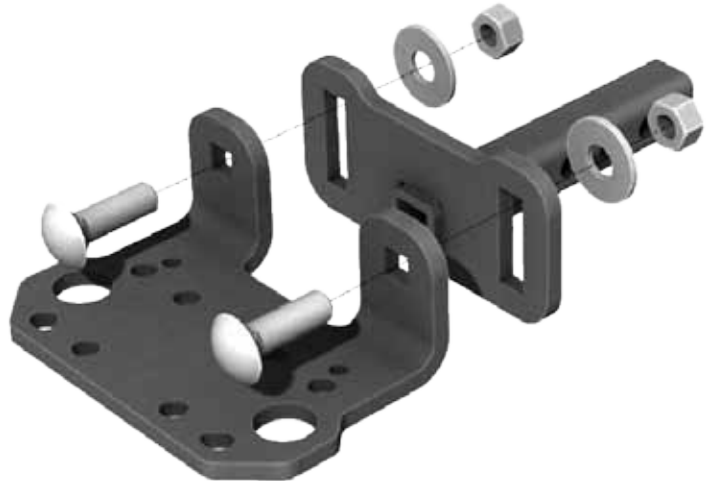


TIGERTAIL™ 1 1/4" UNIVERSAL RECEIVER

Receiver Mount PART # 101115
 Hardware Kit: HK-307

Kit Components:

Qty.	Part Description
1.....	TigerTail™ Mount Plate
1.....	1 1/4" Receiver Plate
2.....	5/8"-11 x 2" Carriage Bolt
2.....	5/8" USS Flat Washer
2.....	5/8" Hex Nut



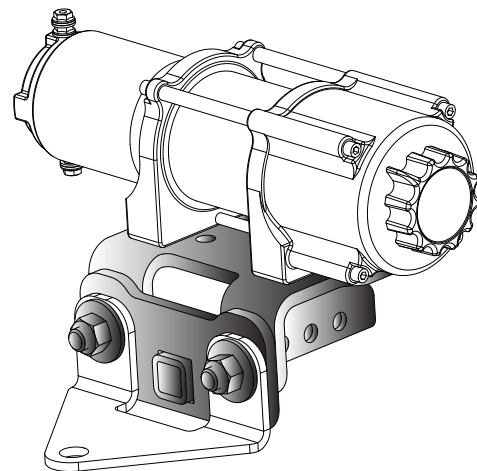
INSTALLATION INSTRUCTIONS:

1. Decide which position will best suit your purposes.

Note: There are several different positions in which the mount can be installed. See Figure 2 for the most popular positions.

2. Install **TigerTail™** Mount Plate to 1 1/4" Receiver Plate using the hardware provided with the mount. See Figure 1.

"Figure 1" Bolt Install



"Figure 4" Optional Ball Hitch Plate (Part # 11304-00) Sold Separately Compatible with Standard Winches (4.875 bolt pattern)



"Figure 2" Receiver Positions



"Figure 3" TigerTail Mounting Positions

