

HONDA PIONEER FRONT RECEIVER

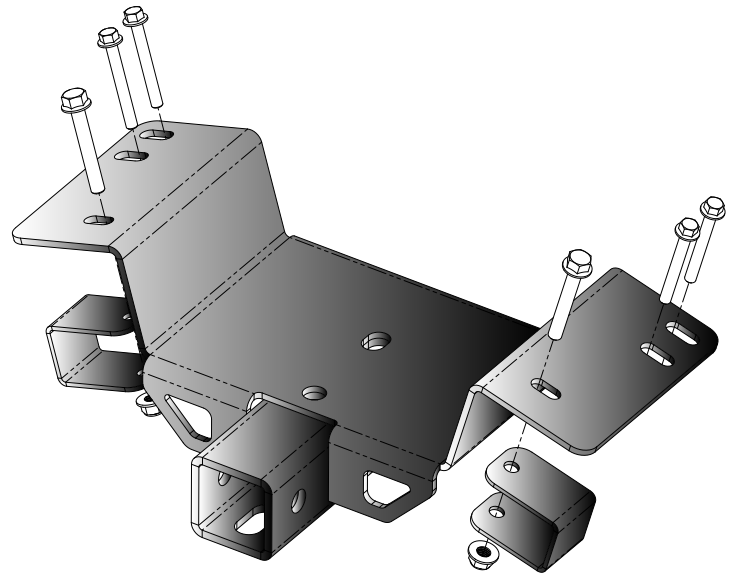
Receiver

PART # 101145 Rev C

Hardware Kit: HK-312

Kit Components:

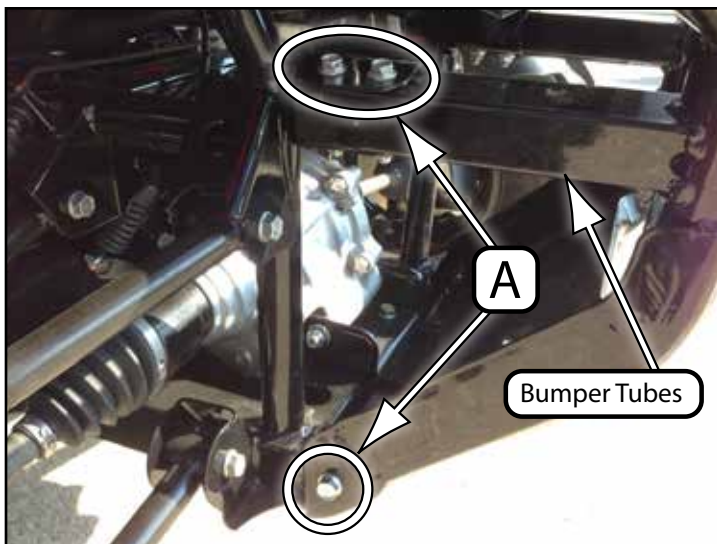
Qty.	Part Description
1.....	Pioneer Receiver Plate
2.....	Pioneer Receiver Bracket
2.....	3/8"-16 x 2.5" Flange Bolt
2.....	3/8"-16 Flanged Nylock Nut
4.....	5/16"-18 x 2.5" Flange Bolt
4.....	5/16"-18 Flanged Nylock Nut



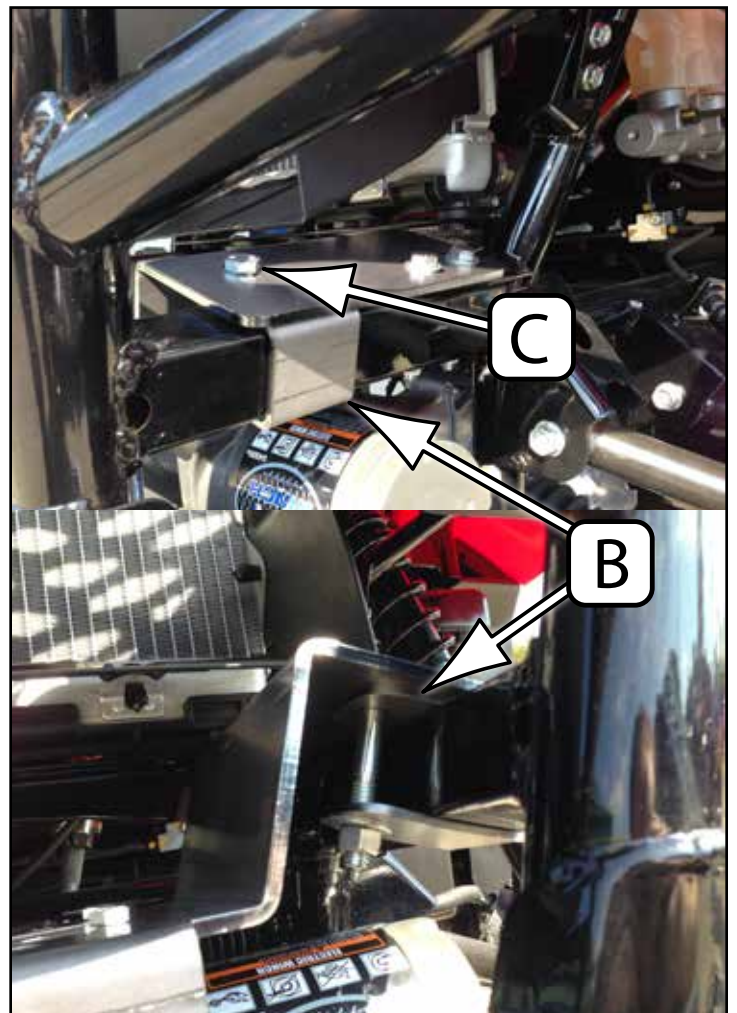
"Figure 1"

INSTALLATION INSTRUCTIONS:

1. Start by removing the front bumper. To do so take out the six bolts (A) on both sides of the front bumper as shown in Figure 2. Retain the lower 2 bolts for later re-attachment of the bumper.
2. With the bumper removed place brackets (B) over bumper tubes as shown in Figure 3.
3. Place the receiver plate over the brackets. Loosely attach the receiver plate and brackets using the 3/8" Bolts (C) and Nuts supplied in the hardware kit. See Figure 3.

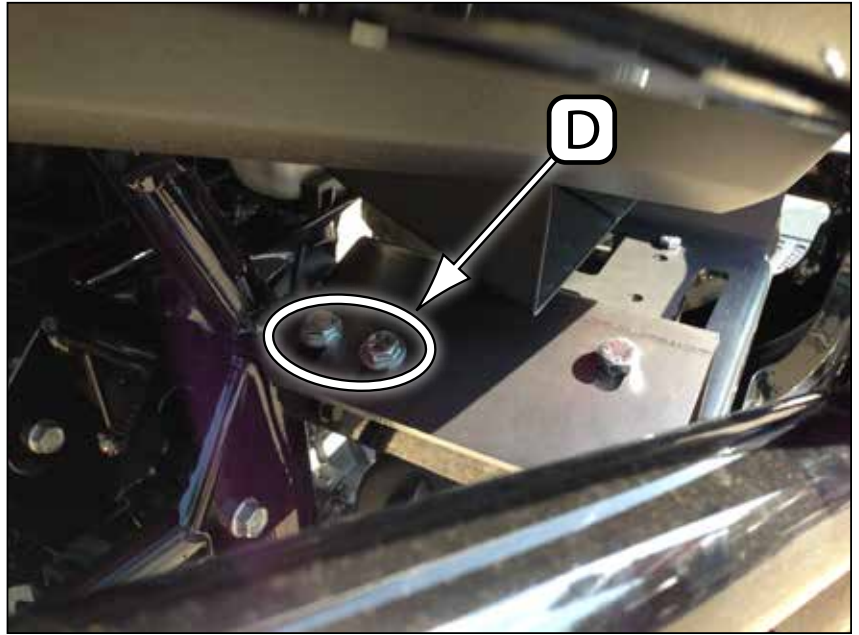


"Figure 2 Bumper Removal"



*"Figure 3 Mount and Bracket Install to Bumper"
(Bumper shown attached to frame, the bumper should not be attached at this time.)*

4. Place the Bumper Assembly back on the machine, reinstall the upper bumper tubes and receiver plate to the frame using the 5/16" Bolts and Nuts (D) supplied in the hardware kit. See Figure 4.
5. Re-attach the lower part of the bumper using the original bolts removed in Step 3.
6. Tighten all bolts.



“Figure 4 Bumper and Receiver Install to Machine”

