

# CAN-AM MAVERICK TRAIL 1000

## WINCH MOUNT

Winch Mount

PART # 101500

Hardware Kit: HK-031, HK-087

Kit Components:

Item #	Qty.	Description
1	1	Winch Mount
2	1	Mounting Tab
3	1	Fairlead Converter
4	2	3/8"-16 X 1" HEX HEAD BOLT
5	4	3/8" SAE FLAT WASHER
6	2	3/8"-16 HEX NYLOCK NUT

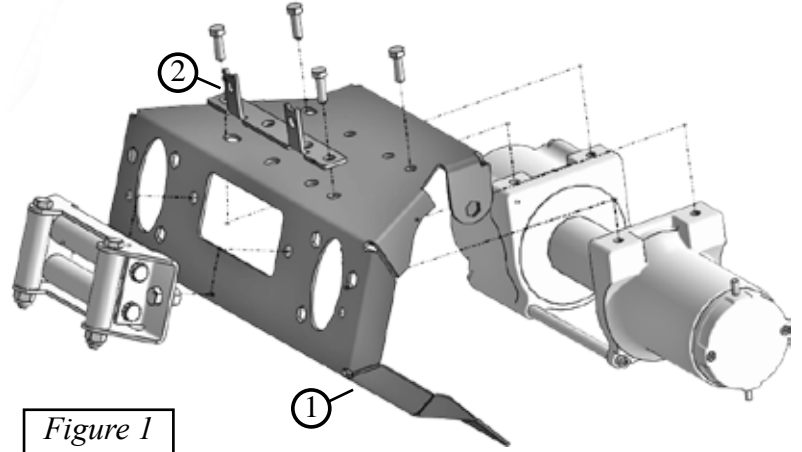


Figure 1

### INSTALLATION INSTRUCTIONS:

Note: Make sure all of the hardware needed to complete this mount are in its package. Read through and understand the instructions before installing.

1. Remove the ten bolts shown in [Figure 2](#) from the factory stock mount. (Note: Save bolts for later)

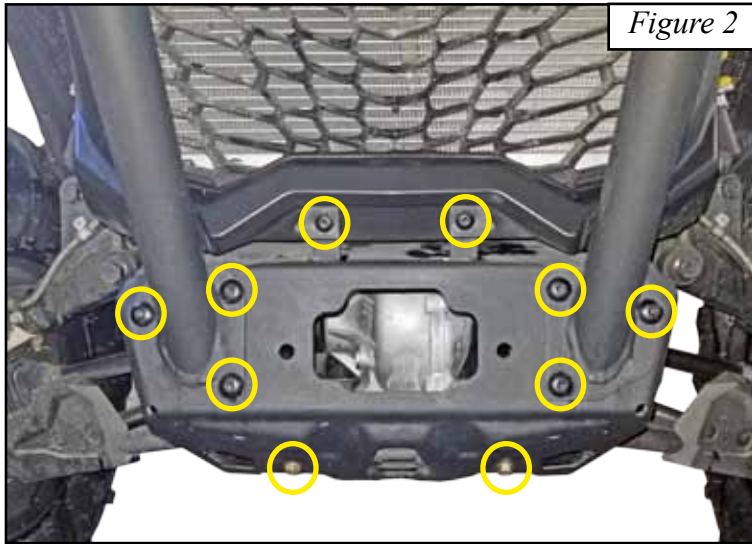


Figure 2



Figure 3

2. Remove the single bolt from each side of the bumper shown in [Figure 3](#). (Note: Save bolts for later)
3. Remove the two clips (2) from the factory bumper shown in [Figure 4](#). (Note: Save clips for later)

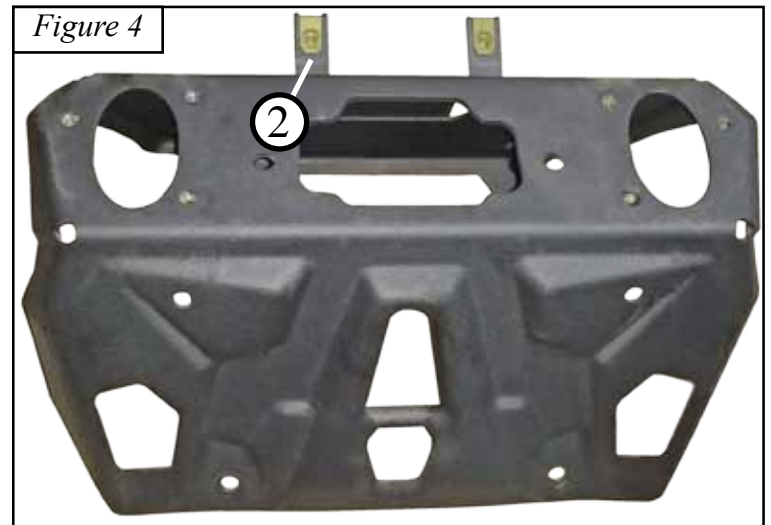
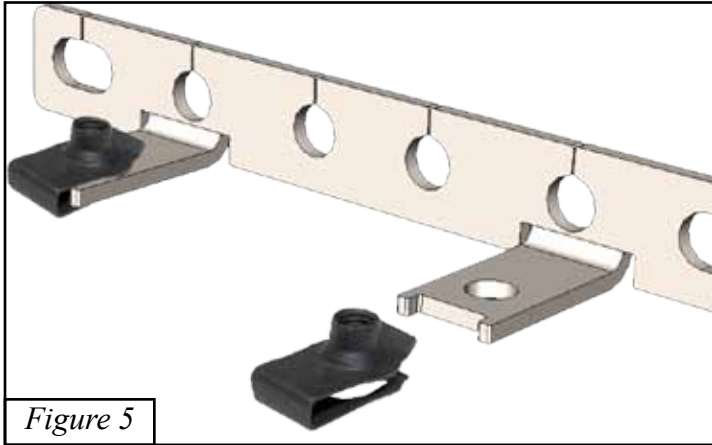


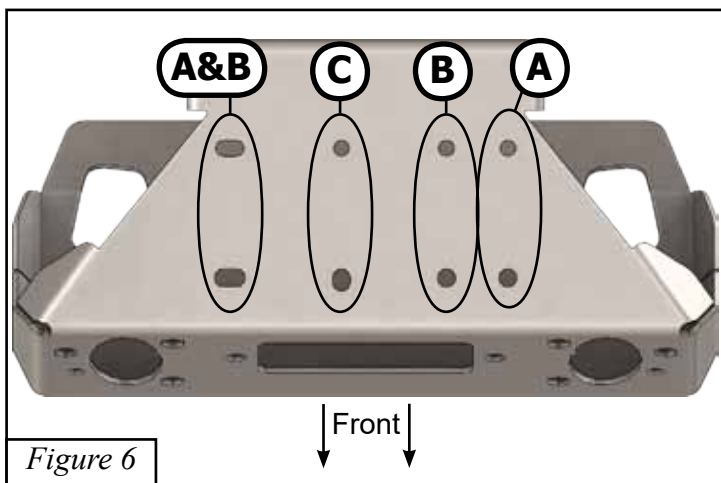
Figure 4

- Attach the clip (previously removed) to the bracket (2) provided with the winch mount. Shown in [Figure 5](#).

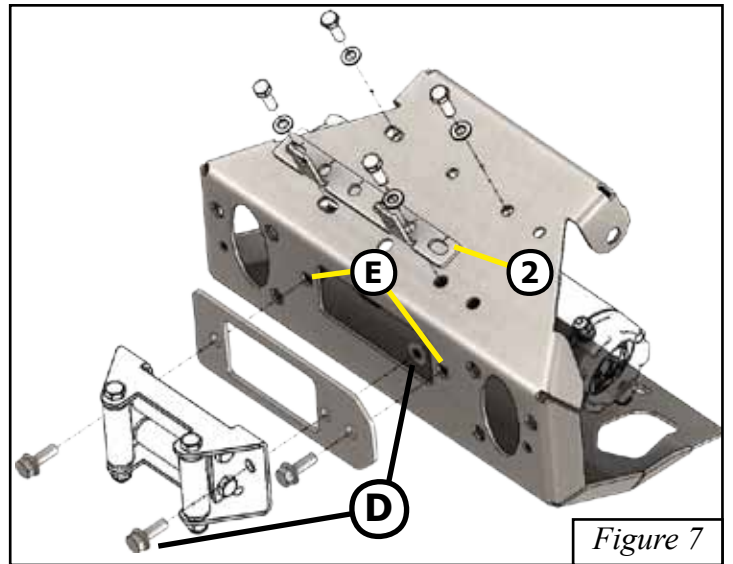


- Hold the winch upside down inside the mount and loosely assemble the two rear bolts using the hardware provided with your winch. For wide winches use holes (A), for standard winches use holes (B) and two hole winches use holes (C). Shown in [Figure 6](#).

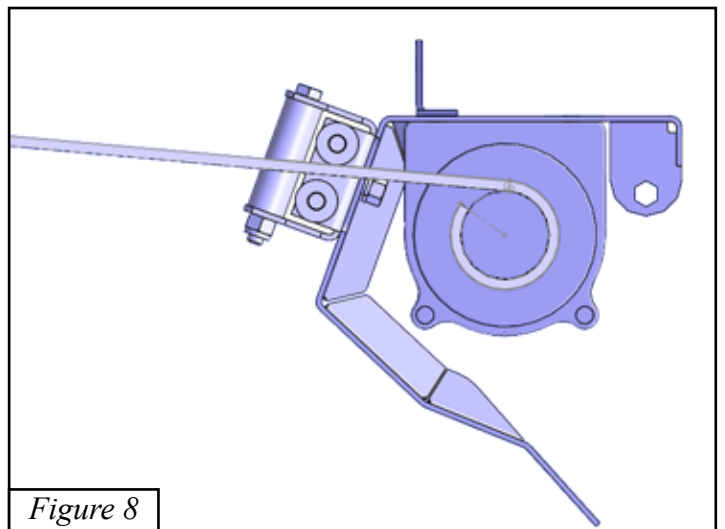
- Place the bracket (2) on the top of the winch mount. Line the bracket up with the front winch holes. Fasten it down to the mount using the remaining winch bolts Shown in [Figure 7](#).



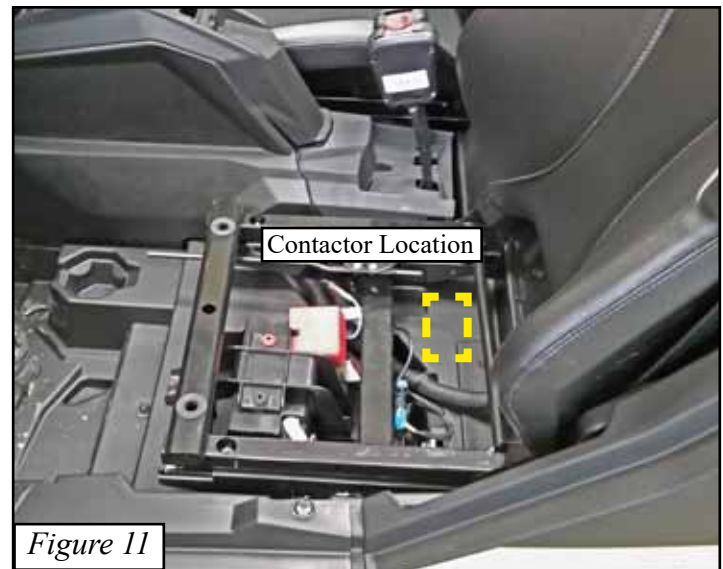
- If you have a standard winch with a (4.875" x 3") bolt pattern attach your roller fairlead to the fairlead plate using bolt (D). Shown in [Figure 7](#).
- Attach the fairlead bracket with the rollers attached to the bumper using bolts (E) Shown in [Figure 7](#).
- If you have a WIDE winch discard the fairlead bracket and attach your roller fairlead to the mount.



- Your winch cable should be spooling off the top. *Note: Because the winch is mounted upside down the cable will still be spooling off the bottom of the winch.*

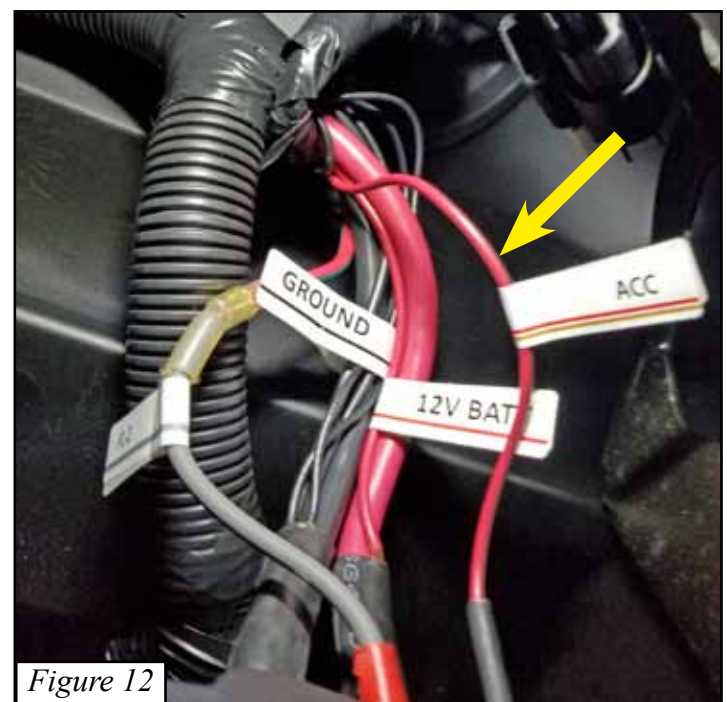
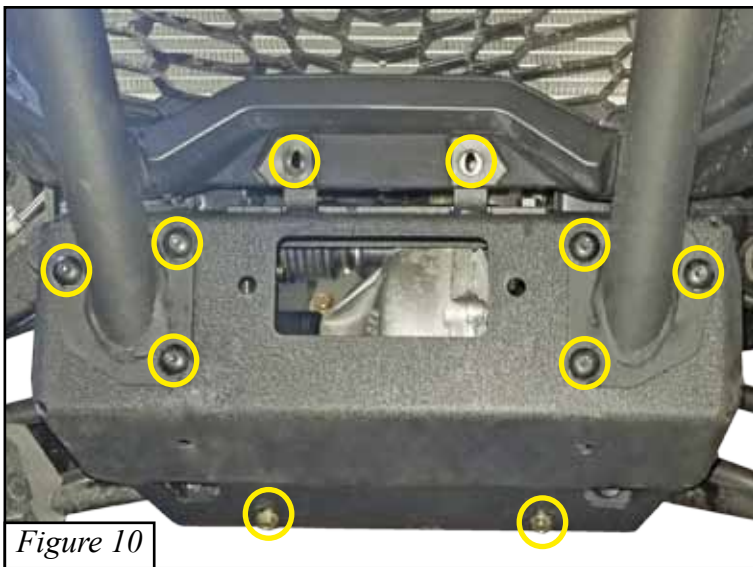


11. Hold the winch mount up to the machine where the OEM one was mounted. Shown in [Figure 10](#).
12. Attach the single factory bolt on each side of the mount shown in [Figure 9](#).



15. Run your red (+) and black (-) from the contactor to the battery. Zip tie any loose wire you have left.
16. Run your Yellow & Blue winch wire under the center panel and up through the fire wall.
17. On the dash there are pre-scribed cut outs for the dash rocker switch to be mounted.
18. Find a location that suits your purposes for the hand remote.
19. Wire the red ignition wires from controllers to the acc post (+) under the steering wheel.

13. Bolt the winch mount to the front end using the ten factory bolts removed in step 1. Shown in [Figure 10](#).



### Wiring Instructions:

14. Use the contactor as a template and drill (4) holes to mount the contactor next to the battery under the seat. Shown in [Figure 11](#).