

# TEXTRON PROWLER PRO

Winch Mount PART # 101670  
 Hardware Kit: HK-341, HK-130, HK-031

**Kit Components:**

Qty.	Part Description
1.....	Winch Mount (1)
1.....	Fairlead Adapter (2)
1.....	Contacting Bracket (3)

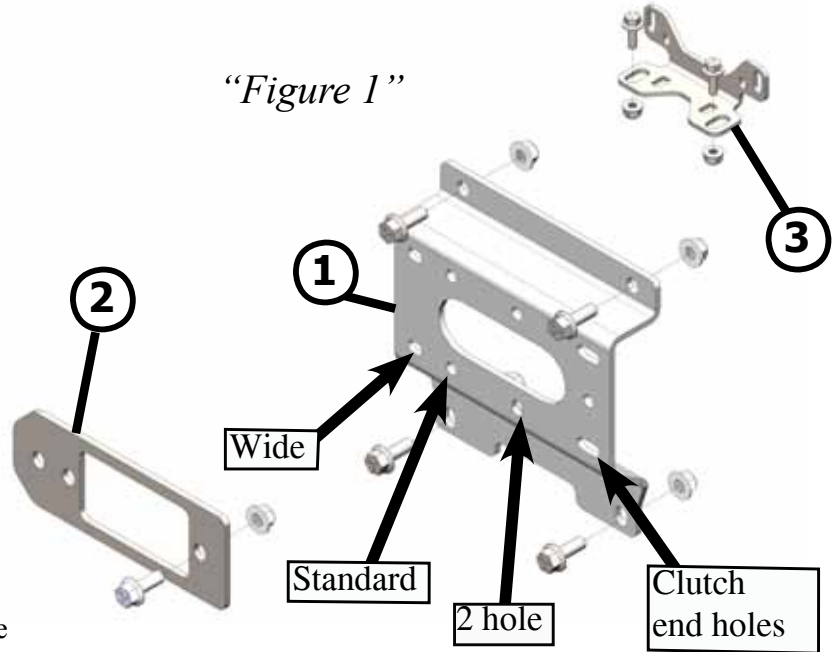
**Hardware**

7.....	3/8"-16 x 1.00 Hex Bolt Flange
5.....	3/8"-16 Hex Nut Flange Nylock
2.....	1/4"-20 x .75 Hex Bolt Flange
2.....	1/4"-20 Hex Nut Flange Nylock
1.....	UTV Mini Rocker Kit (HK-031)

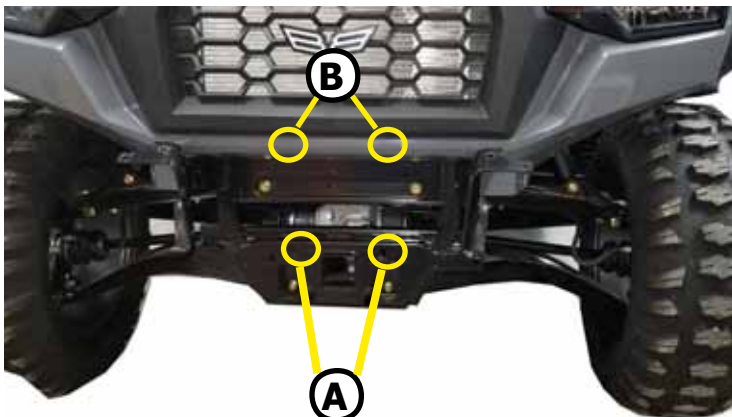
**INSTALLATION INSTRUCTIONS:**

1. Not required to remove bumper but may make installation easier for you. *See machine manual for bumper removal.*
2. Place winch mount into position. Figures 2 & 3
3. Use holes (A) for the lower winch mount bolt holes. Use holes (B) behind the plastic for the upper winch mount bolt holes. Use four 3/8" bolts and nuts (C) to fasten winch mount to frame. Figure 1,2,3
  - Note: *The standard winch bolt pattern is 3"x4-7/8". Use outside set of holes for wide winch 3"x 6.60" and the center set of holes for a 2 hole winch.* Figure 1
4. Install your winch to the winch mount (1) using the hardware provided with your winch. Figure 4 place clutch to the drivers side of the UTV and cable coming off the bottom side of the spool.

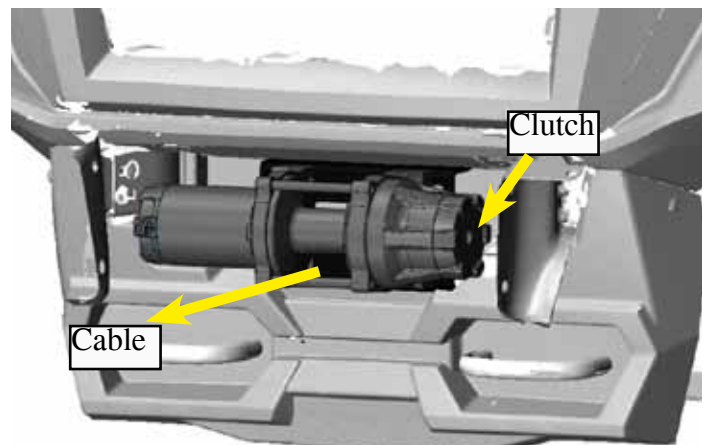
"Figure 1"



"Figure 3" Lower Winch Mount Bolts



"Figure 2" Front (bumper removed for clarity)

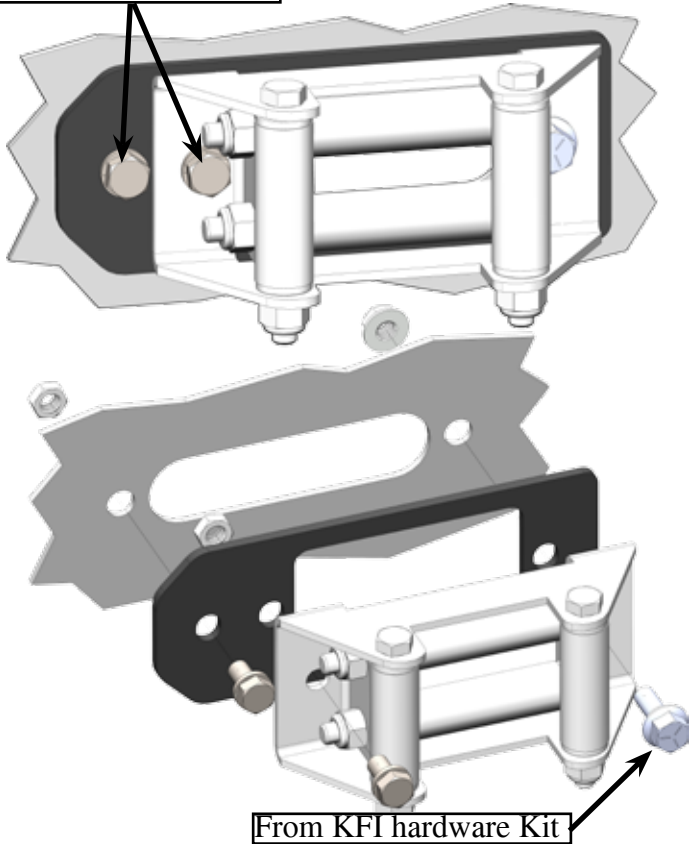


"Figure 4" Winch Mount (bumper removed for clarity)

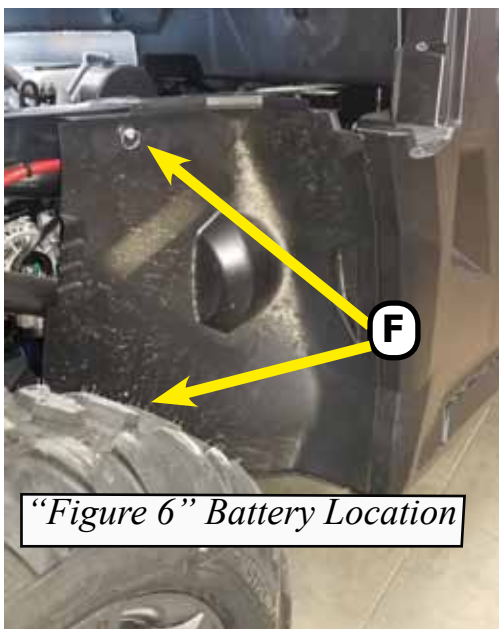
5. This machine comes with a wide fairlead opening. If you have a standard or 2 hole winch you will need to install the wide to standard adapter plate (2) Figure 5 . If you have a wide winch you will not need an adapter plate (2). Mount roller/hawse fairlead to bumper according to your winch manual.

6. Tighten all hardware

Stock hardware from Roller/Hawse fairlead



“Figure 5” Standard Fairlead Adapter



“Figure 6” Battery Location



## WIRING INFORMATION

1. Battery is located behind passenger side under cargo box. Remove side panel with clips (F). Figure 6.
2. Use 1/4” bolts and nuts to mount contactor bracket (3) Figure 7 use hardware from winch kit to mount contactor on top of the bracket
3. Please see winch owners manual wiring instruction.

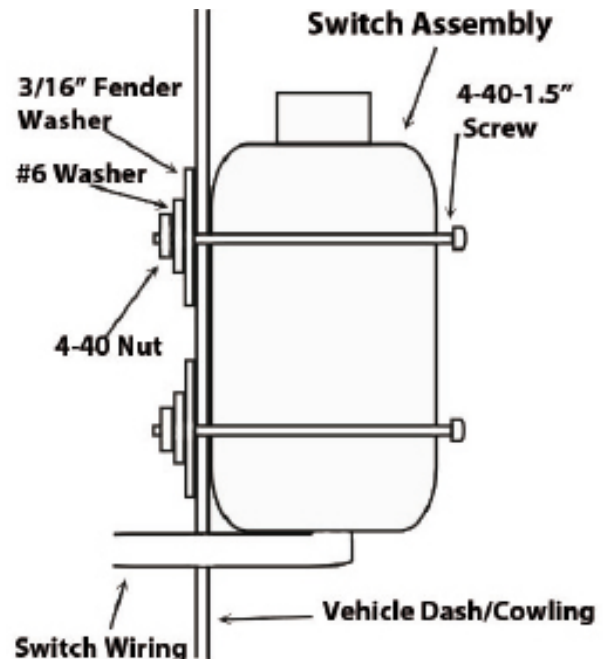


“Figure 7” Contactor mount

## SWITCH

Use included Mini-Rocker Switch Hardware Kit (HK-031) to fasten a handlebar mounted mini-rocker switch to the dash or any desired location.

- a. Remove handlebar mount hardware from the switch
- b. Locate desired mounting location
- c. Mark & drill 2 switch holes through dash using switch housing as a template
- d. Drill a 3rd hole for switch wiring
- e. Assemble per Figure 8



Optional Switch Mount Instructions\*

“Figure 8” Mini-Rocker Mounting