

HONDA TALON REAR RECEIVER

Winch Mount

Part # 101755

Kit Components:

Item #	Qty.	Description
1	1	Rear Receiver Mount
2	1	HK-199
2.1	4	M12-1.75 x 60 Hex Flange Bolt
2.2	4	M12-1.75 Hex Flange Toplock Nut

INSTALLATION INSTRUCTIONS:

Note: Make sure all of the hardware needed to complete this mount is in the package. Read through and understand the instructions before installing.

1. Lift the back of the machine up using a jack to take the pressure off of the rear trailing arm linkages.
2. Remove and discard nuts (A) shown in **Figure 2**. Place receiver mount (1) over the OEM bolts and trailing arm linkages as shown in **Figure 3**.
3. One at a time, remove and discard the OEM bolt and replace with M12 bolt (2.1) and fasten down using M12 nut (2.2) **Note:** insert the bolts from behind the receiver mount so the nuts are facing the rear of the machine as shown in **Figure 1 & 3**.
4. Repeat step 3 for the remaining three bolts.
5. Tighten all hardware evenly.

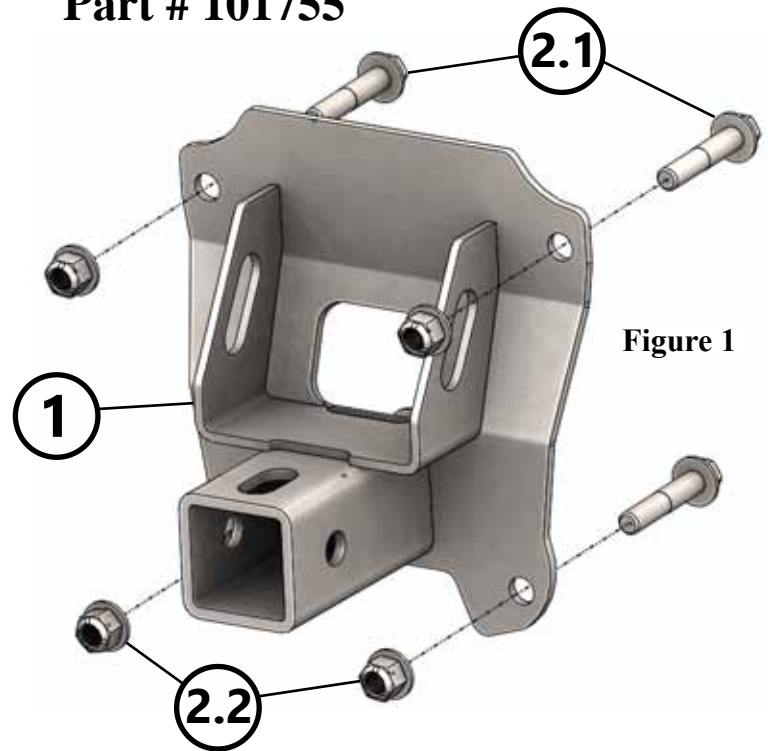


Figure 1

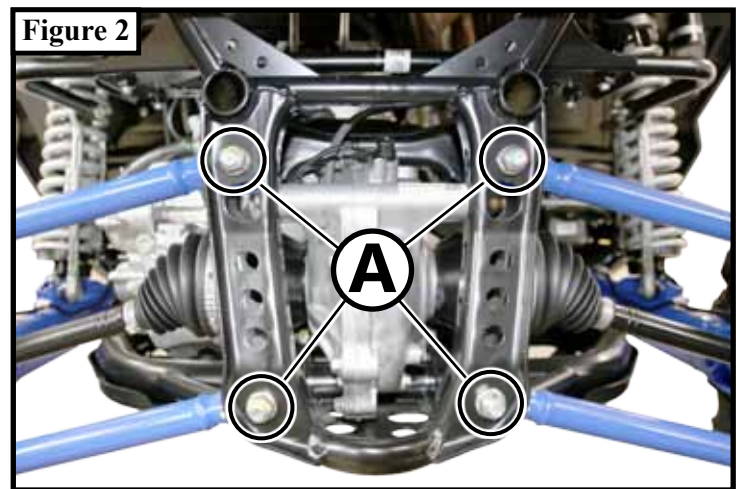


Figure 2

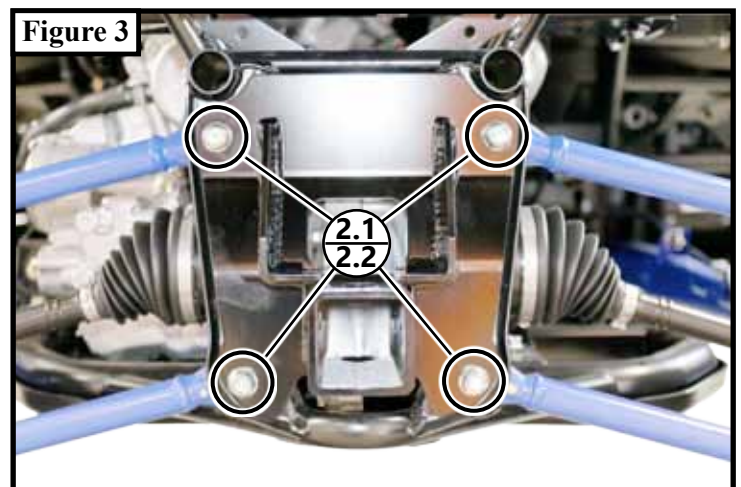


Figure 3

