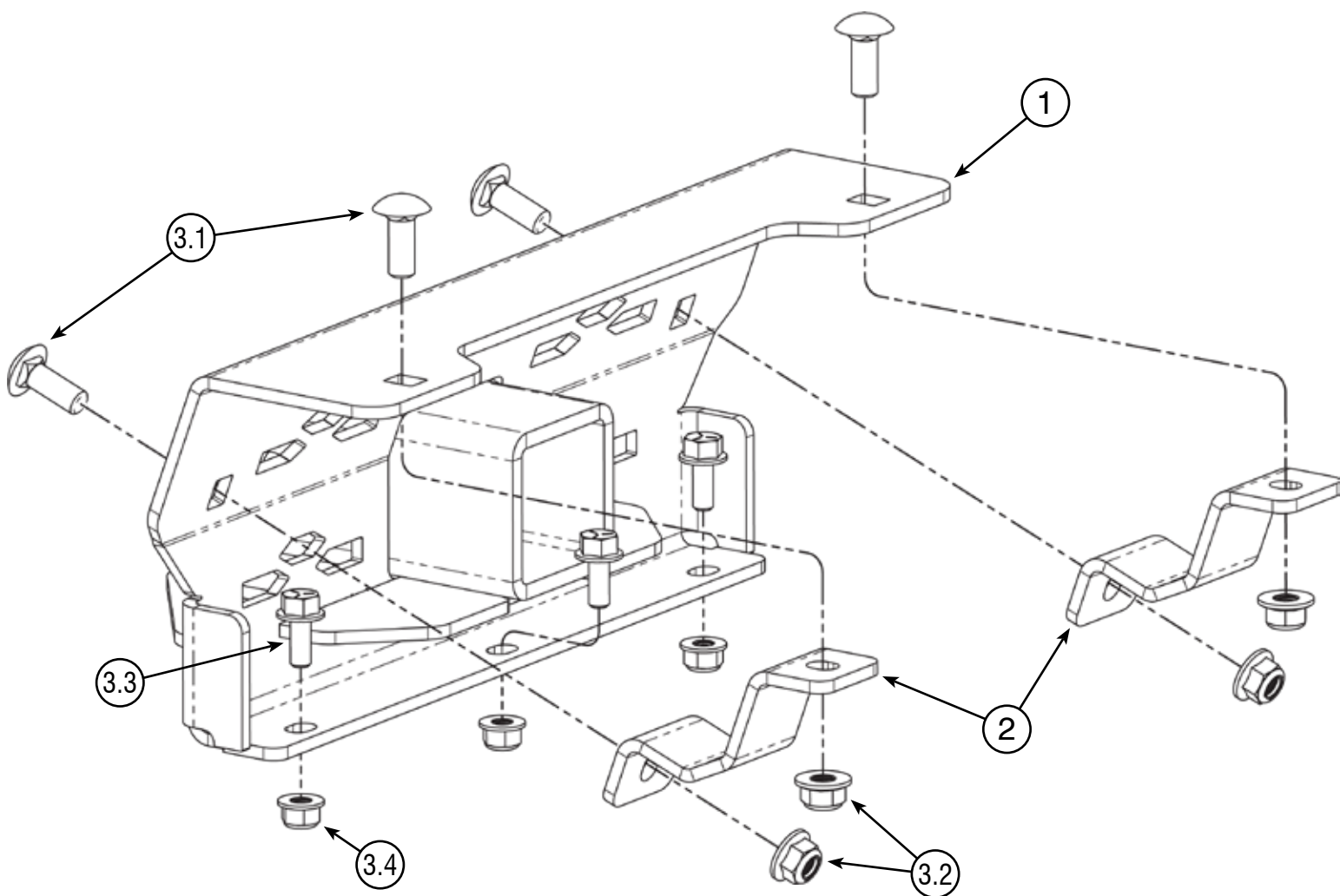


POLARIS RANGER XP 1000 UPPER RECEIVER

FRONT RECEIVER

PART #102240 Rev A



Kit Components:

Item #	Qty.	Description	Item #	Qty.	Description
1	1	Front Upper Receiver (102241)	3.2	4	3/8"-16 Hex Flange Nylock Nut
2	1	Upper Receiver Clamp (101783)	3.3	3	5/16"-18 x 0.75" Hex Flange Bolt
3	1	Hardware Kit (HK-447)	3.4	3	5/16"-18 Hex Flange Nylock Nut
3.1	4	3/8"-16 x 1.00" Carriage Bolt Short Neck			



INSTALLATION INSTRUCTIONS

Notice

Torque bolts to ANSI Specs (or OEM specs if applicable), unless otherwise stated. After the first use and at the start of each season, check torque.

Note: Make sure all hardware needed to complete this mount is in the package. Thoroughly read through and understand the instructions before installing.

Installation Instructions

1. Insert bolts (3.3) through the bottom holes of the Front Receiver (1) and position the receiver onto the bumper, ensuring the bolts pass through the corresponding holes in the bumper. Loosely secure the bolts with nuts (3.4) as shown in **Figure 1**.
2. Next, loosely attach the brackets (2) using bolts (3.1) and nuts (3.2), ensuring the brackets are correctly oriented before installation. Refer to **Figures 2, 3, and 4** for proper alignment.
3. Once all hardware is started, tighten all hardware evenly.

