

350 RAPTOR, 350 WOLVERINE, 400 BIG BEAR, 250 ARCTIC CAT

PLOW MOUNT

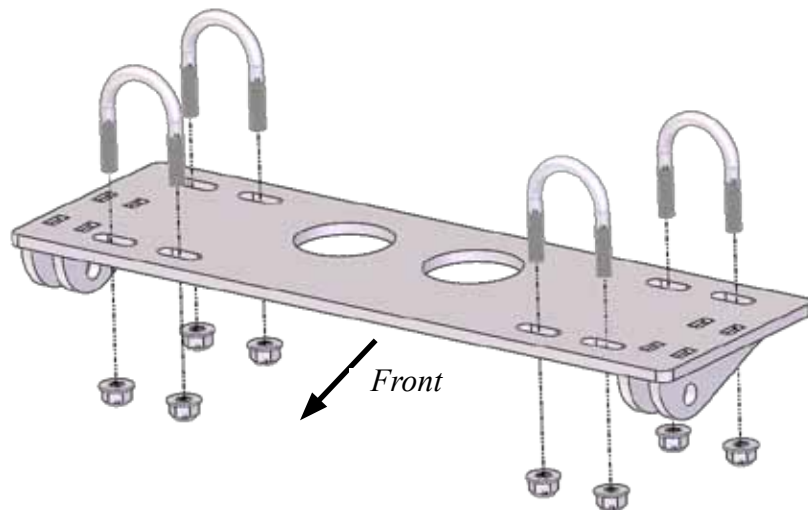
Plow Mount

PART # 105205

Hardware Kit: HK-112

Kit Components:

Qty.	Part Description
1.....	Plow Mount Plate
4.....	5/16" X 1-3/8" X 2" U-Bolt
8.....	Flanged Nylock NUT 5/16"



INSTALLATION INSTRUCTIONS:

Note: If you have a skid plate on the bottom of your frame you will need to remove it.

1. Place the mount plate under the frame tubing with the ears towards the front of the ATV shown in [Figure 1](#).
2. Place the U-Bolts over the frame and through the holes of the mount shown in [Figure 1](#).
3. Loosely secure using the hardware provided in your kit.
4. Line up the back of the mount plate with the welds of the foot peg bracket shown in [Figure 2](#).
5. Tighten down the four U-Bolts evenly.

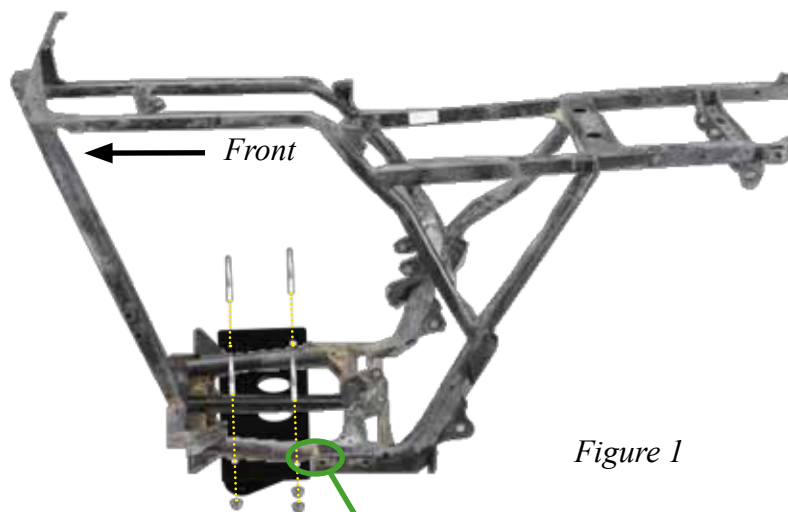


Figure 1

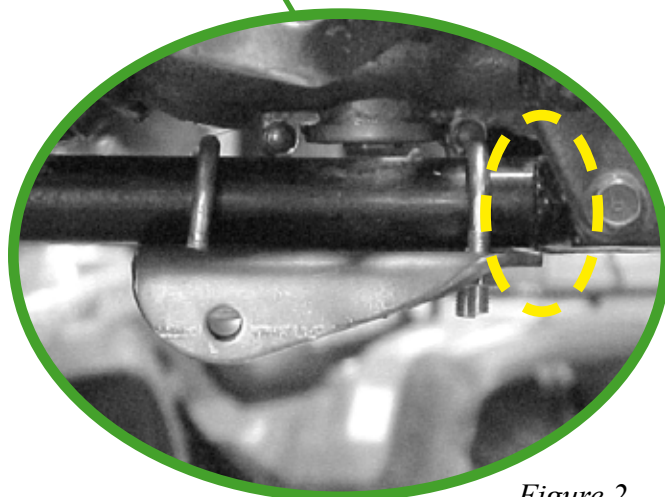


Figure 2

