

YAMAHA RHINO PLOW MOUNT

Plow Mount **PART # 105265**
Hardware Kit: HK-122

Kit Components:

<u>Qty.</u>	<u>Part Description</u>
1.....	Plow Mount Plate
2.....	Spacer Plate
2.....	Bolt Plate
4.....	3/8"-16 x 3 1/2" Bolt
2.....	3/8"-16 x 1 1/4" Bolt
4.....	3/8" Lock Washer
2.....	3/8" Flanged Lock Nuts
1.....	12" Soft Loop Strap

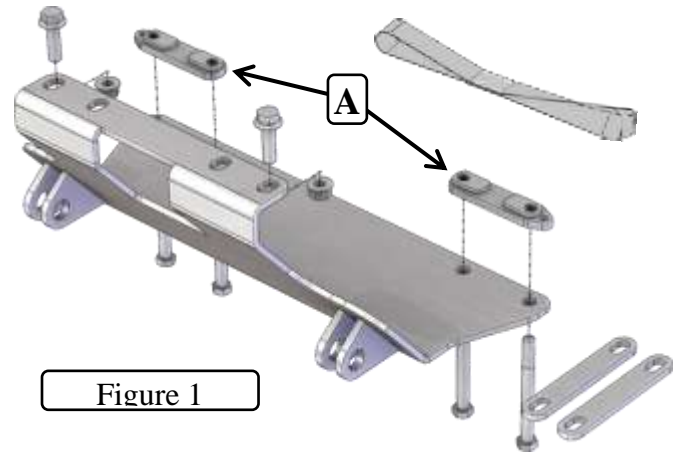


Figure 1

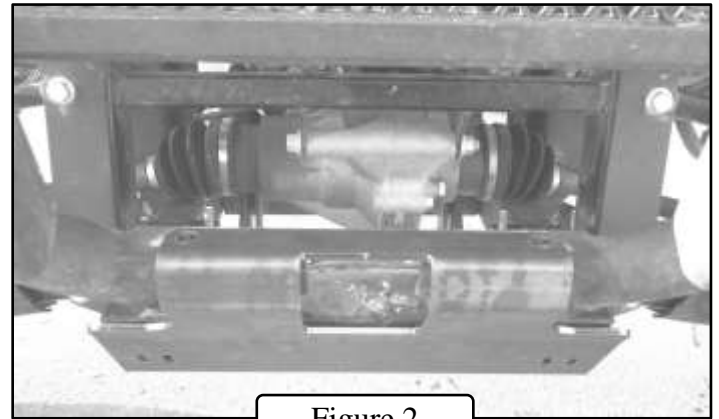


Figure 2

INSTALLATION INSTRUCTIONS:

1. Place mount plate on machine as shown in Figure 2.
2. While holding mount plate up to machine loosely install bolt plates (A) using 3 1/2" bolts and lock washers as shown in Figure 3.
3. If installing a winch mount or 2" receiver do so now. If not skip to Step 4.

Note:

If installing a winch mount or 2" receiver refer to the mount specific installation manual. Use spacers (B) provided when installing winch mount and 2" receiver as shown in Figure 4.

4. Install 1 1/4" bolts (C) using flanged lock nuts as shown in Figure 5.
5. Tighten down all bolts.
6. See UTV Plow Tube System instruction manual for tube attachment.

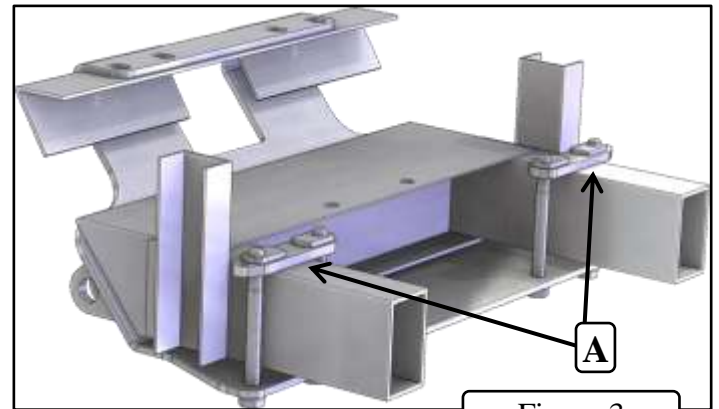
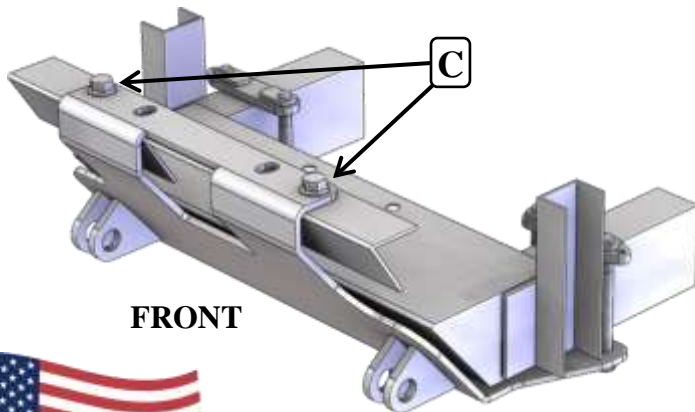


Figure 3



FRONT

Figure 5

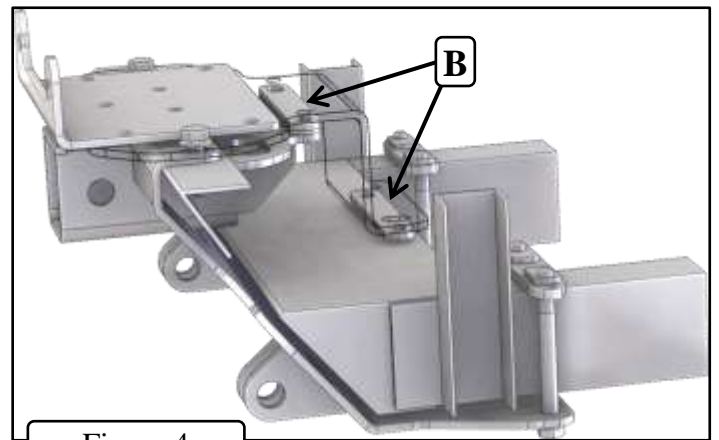


Figure 4

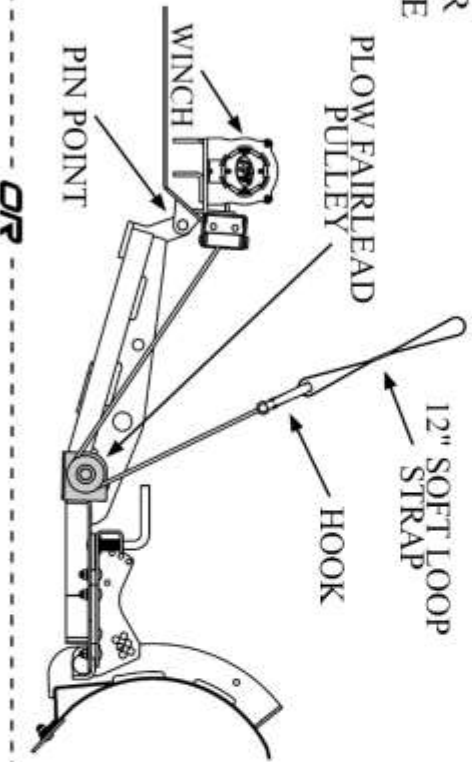




THIS MOUNT RECOMMENDS A PLOW PULLEY

SYNTHETIC ROPE PLOW FAIRLEAD PULLEY

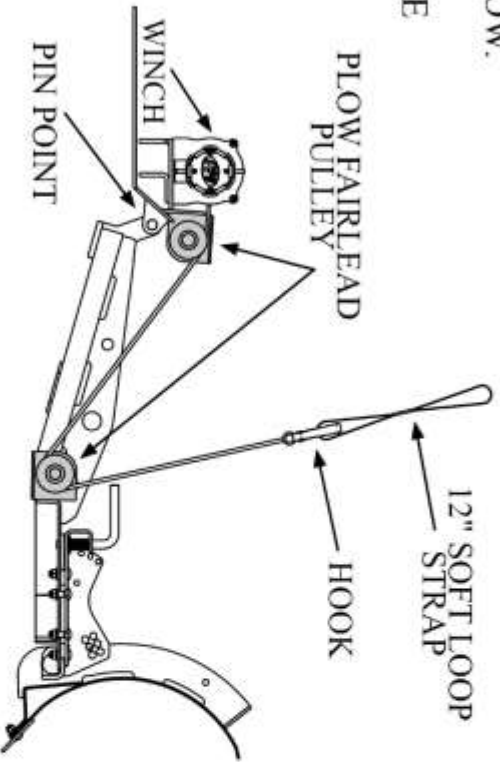
- ALUMINUM ROLLER
- STANDARD OR WIDE



OR

STEEL CABLE PLOW FAIRLEAD PULLEY

- RECOMMEND A PULLEY AT THE WINCH AS WELL AS PUSH TUBE.
- VIEW EXAMPLE BELOW.
- STEEL ROLLER
- STANDARD OR WIDE



12\"/>

WHY USE A PULLEY?

WHEN THE WINCH FAIRLEAD AND PLOW PIN POINT ARE CLOSE TO EACH OTHER, IT CREATES A SHALLOW LIFTING ANGLE. BY ADDING A PULLEY, YOU ARE CHANGING THE WINCH ANGLE TO A MORE VERTICAL LIFTING POSITION. THIS WILL PROVIDE LESS STRAIN ON THE WINCH AND ENTIRE PLOW SYSTEM.

POSSIBLE POSITIONS

STANDARD FAIRLEAD PULLEY REQUIRED FOR ALL PUSH TUBE APPLICATIONS

