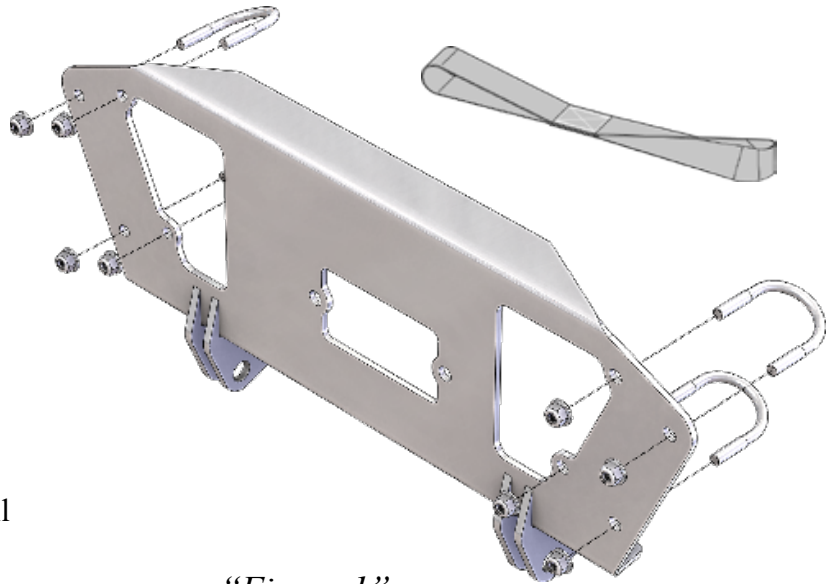


KAWASAKI 3010 MULE

Plow Mount PART # 105400
 Hardware Kit: HK-135

Kit Components:

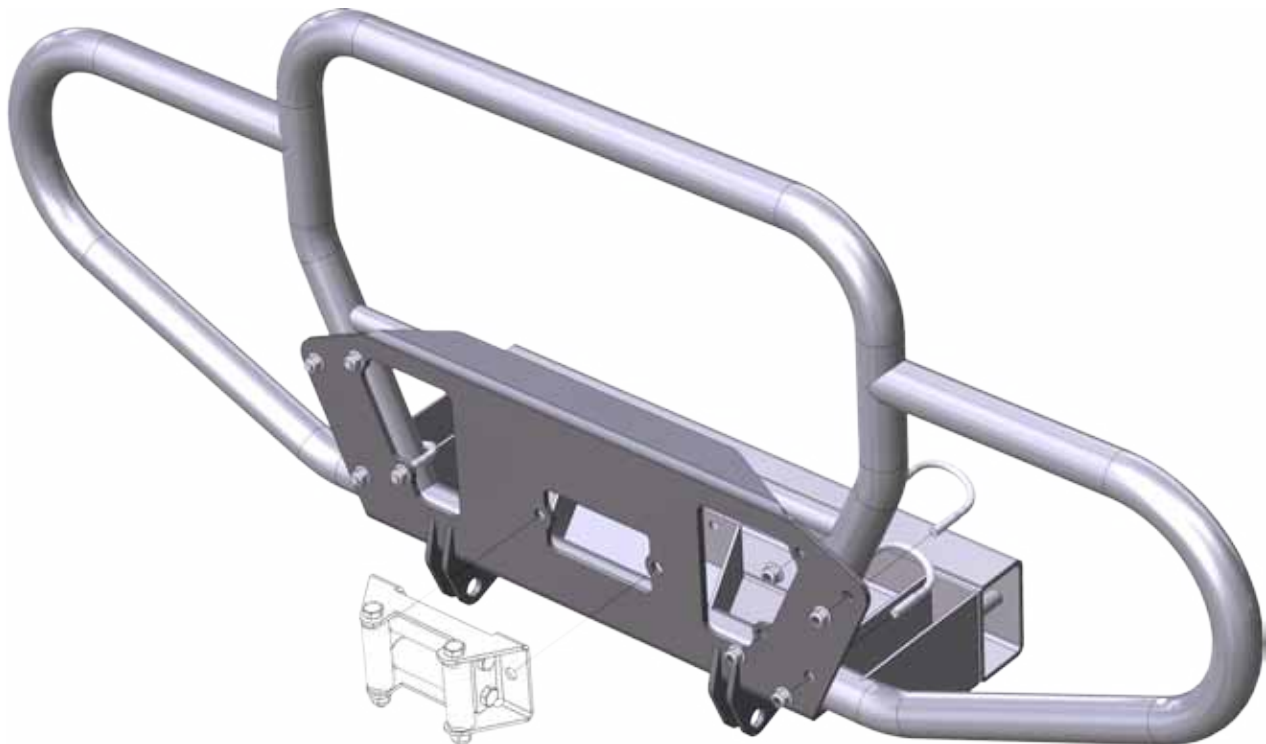
Qty.	Part Description
1.....	Plow Mount Plate
4.....	5/16"-18 U-Bolt
8.....	5/16"-18 Flanged Nylock Nut
1.....	12" Soft Loop Strap



"Figure 1"

INSTALLATION INSTRUCTIONS:

1. Place Mount Plate up to front bumper and install using 5/16" Hardware as shown in Figure 2.
2. Tighten down all bolts.
3. Install the Roller Fairlead on the Plow Mount Plate with the hardware provided with your winch.
4. See UTV Plow Tube System instruction manual for tube attachment.



"Figure 2" Mount Plate & Roller Fairlead Install

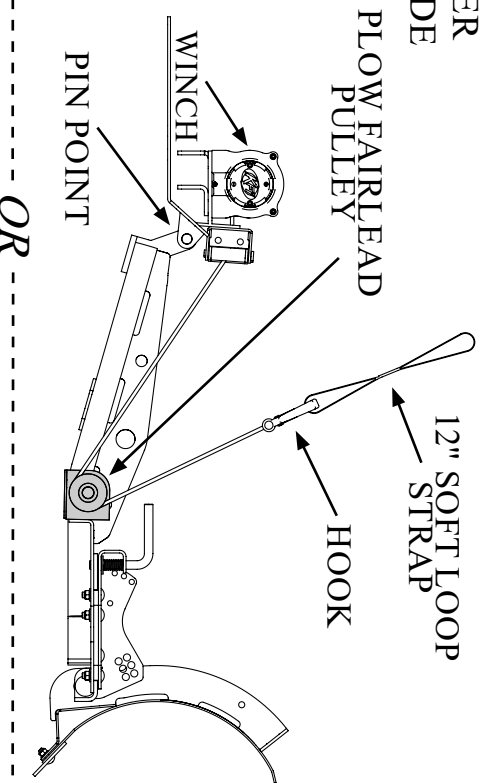
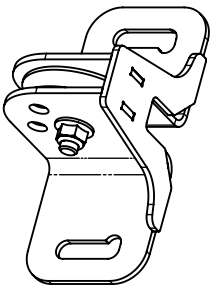




THIS MOUNT RECOMMENDS A PLOW PULLEY

SYNTHETIC ROPE PLOW FAIRLEAD PULLEY

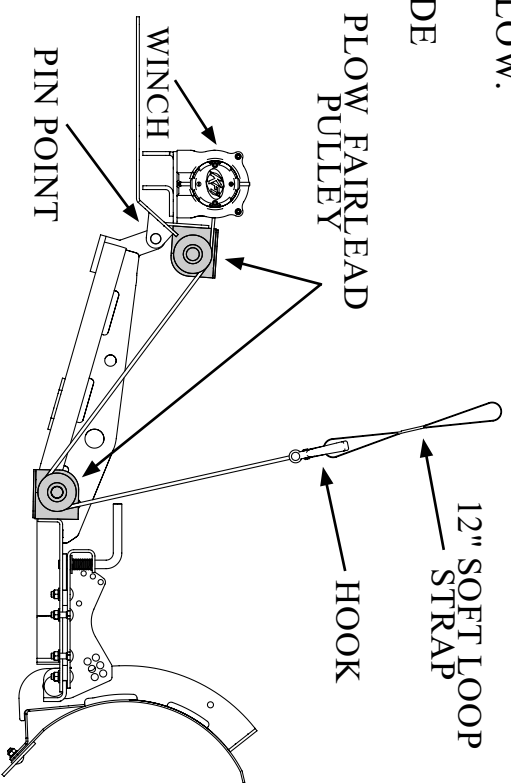
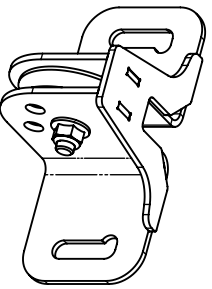
- ALUMINUM ROLLER
- STANDARD OR WIDE



OR

STEEL CABLE PLOW FAIRLEAD PULLEY

- RECOMMEND A PULLEY AT THE WINCH AS WELL AS PUSH TUBE.
- VIEW EXAMPLE BELOW.
- STEEL ROLLER
- STANDARD OR WIDE

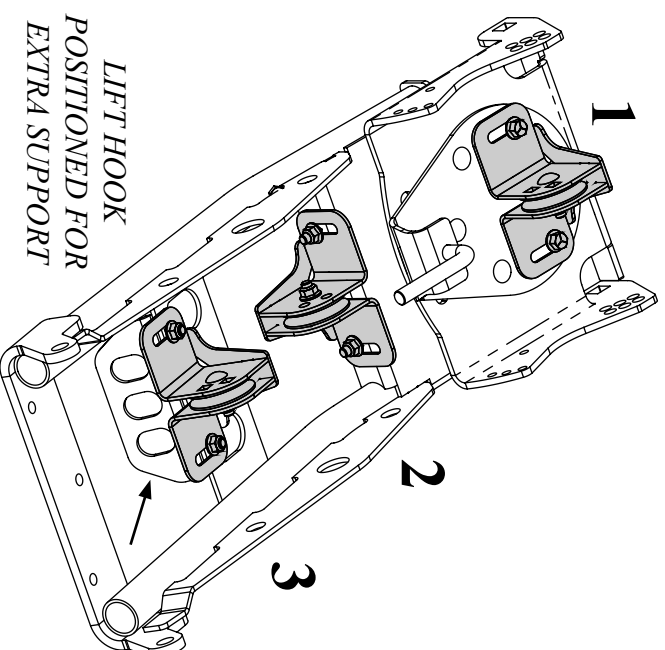


WHY USE A PULLEY?

WHEN THE WINCH FAIRLEAD AND PLOW PIN POINT ARE CLOSE TO EACH OTHER, IT CREATES A SHALLOW LIFTING ANGLE. BY ADDING A PULLEY, YOU ARE CHANGING THE WINCH ANGLE TO A MORE VERTICAL LIFTING POSITION. THIS WILL PROVIDE LESS STRAIN ON THE WINCH AND ENTIRE PLOW SYSTEM.

POSSIBLE POSITIONS

STANDARD FAIRLEAD PULLEY REQUIRED FOR ALL PUSH TUBE APPLICATIONS



12\"/>