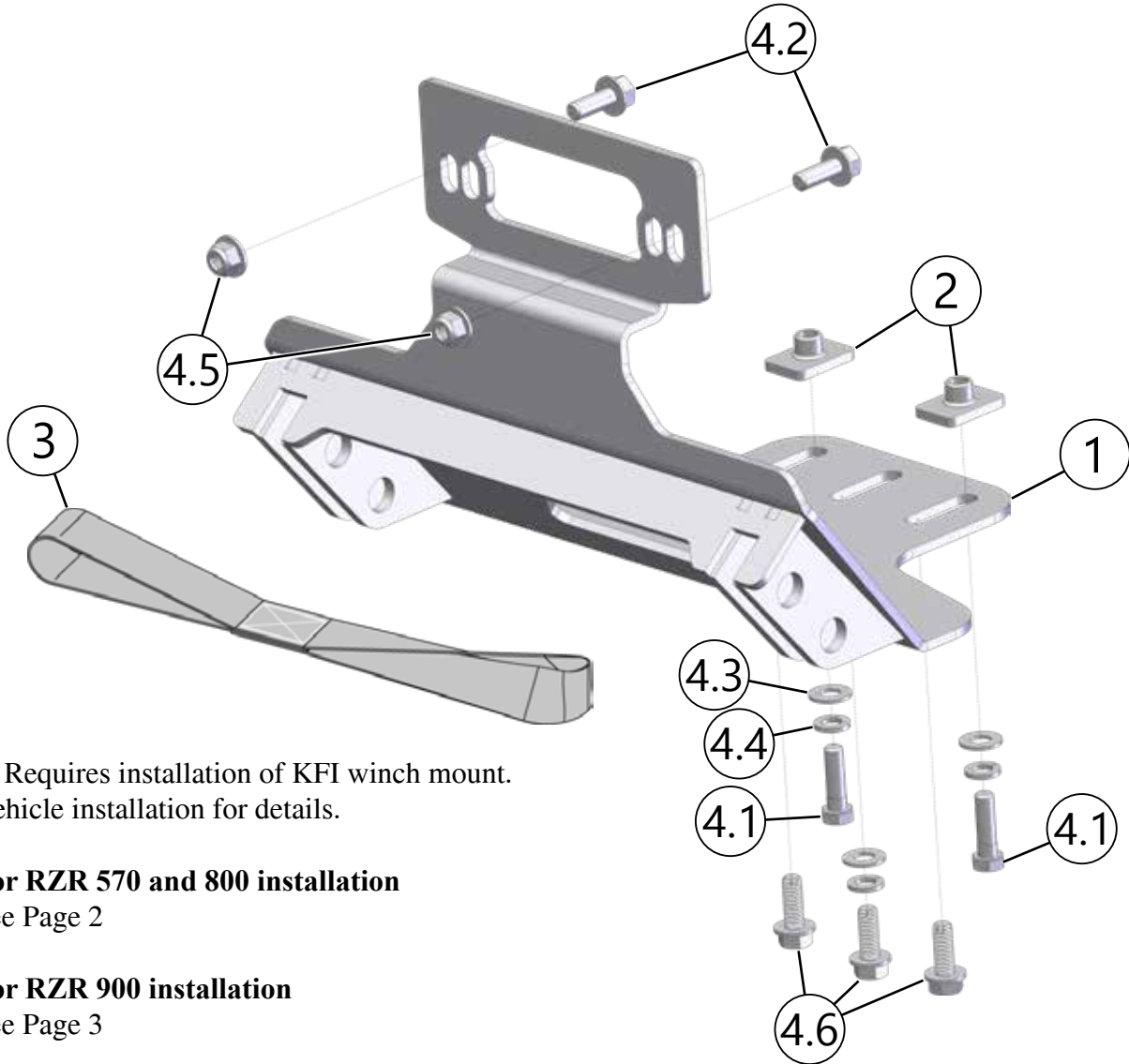


Polaris RZR

Plow Mount

PART #105410



Note: Requires installation of KFI winch mount.
See vehicle installation for details.

- **For RZR 570 and 800 installation**
See Page 2
- **For RZR 900 installation**
See Page 3

| Item # | Qty. | Description |
|--------|------|---|
| 1 | 1 | Plow Mount (105411) |
| 2 | 2 | Plow Mount Nut Plate (106428) (RZR 570 & 800 only) |
| 3 | 1 | 12" Soft Strap |
| 4 | 2 | HK-137 |
| 4.1 | 2 | 3/8"-16 x 1.25 Hex Bolt (RZR 570 & 800 only) |

| Item # | Qty. | Description |
|--------|------|--|
| 4.2 | 2 | 3/8"-16 x 1.00 Hex Flange Bolt |
| 4.3 | 3 | 3/8" Flat Washer |
| 4.4 | 3 | 3/8" Lock Washer |
| 4.5 | 2 | 3/8"-16 Hex Flange Nylock Nut |
| 4.6 | 3 | 3/8" x 1.00 Hex Flange Bolt Thread Cutting (RZR 900 only) |



RZR 570 & 800 INSTALLATION

Note: Make sure all hardware needed to complete this mount is in the package. Thoroughly read through and understand the instructions before installing.

Note: Plow fairlead pulley is recommended on this machine due to the location of the winch. For installation instructions, see page 4.

Note: This KFI plow mount Requires the KFI winch mount #100660 or Polaris OEM winch mount to be installed prior to installing the plow mount.

1. If winch mount is already installed, remove the roller fairlead or hawse and set aside as it will be reinstalled in a later step.

Note: Fairlead bracket bolts may need to be loosened for easier install of plow mount.

2. Set plow mount (1) in place and loosely secure fairlead and plow mount (1) to fairlead bracket of the winch mount using bolts (4.2) and nuts (4.5) as shown in **Figure 1**.

3. Secure bottom of plow mount (1) to the frame of the machine using bolts (4.1) and nut plate (2) as shown in **Figure 2 & 3**.

Note: Nut plate (2) will need to be placed on the top side of the frame located under the front differential.

4. Tighten all hardware evenly.

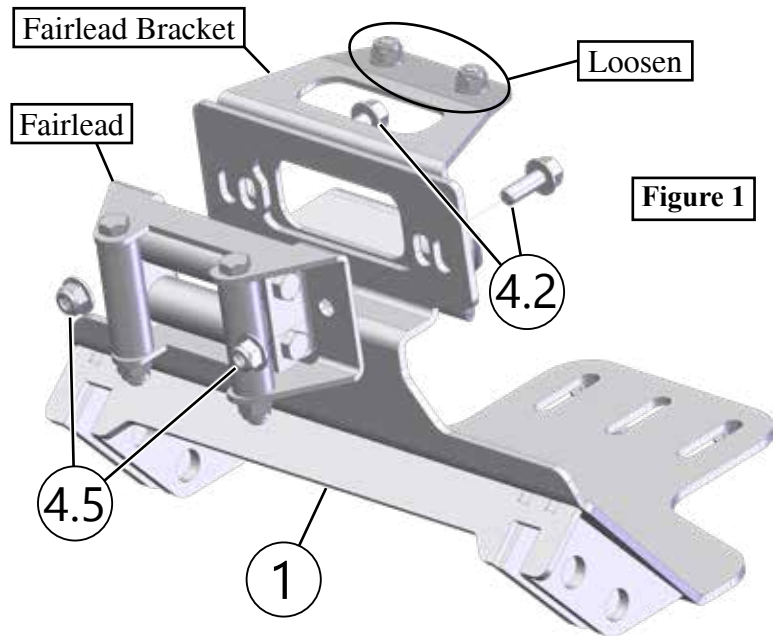


Figure 1

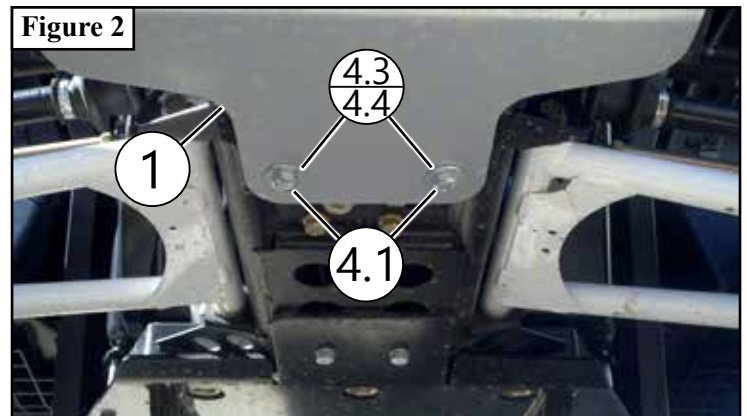


Figure 2

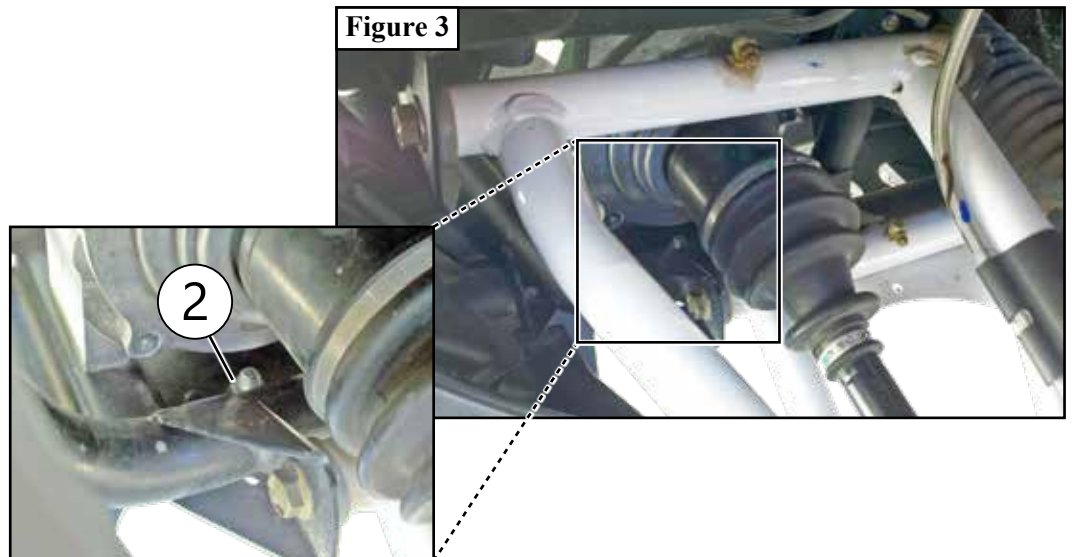


Figure 3

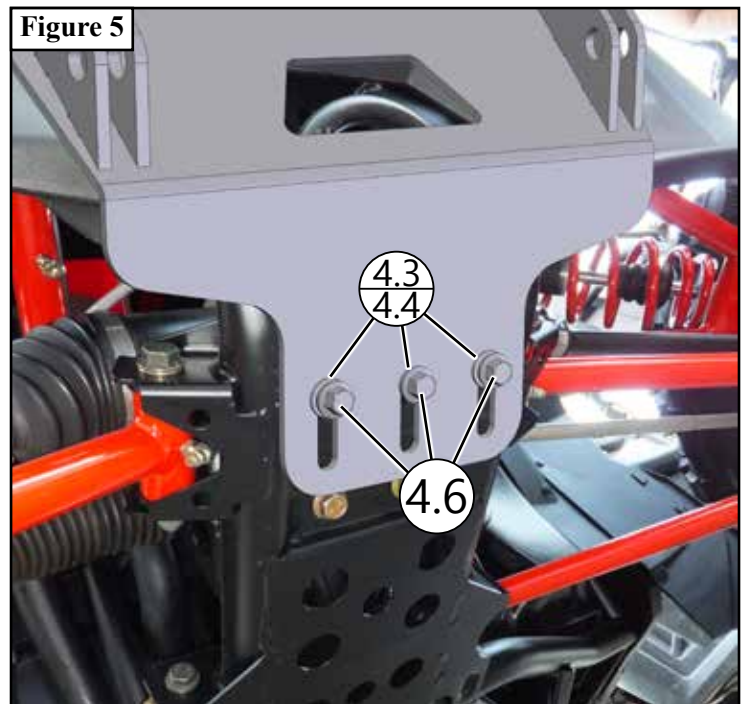
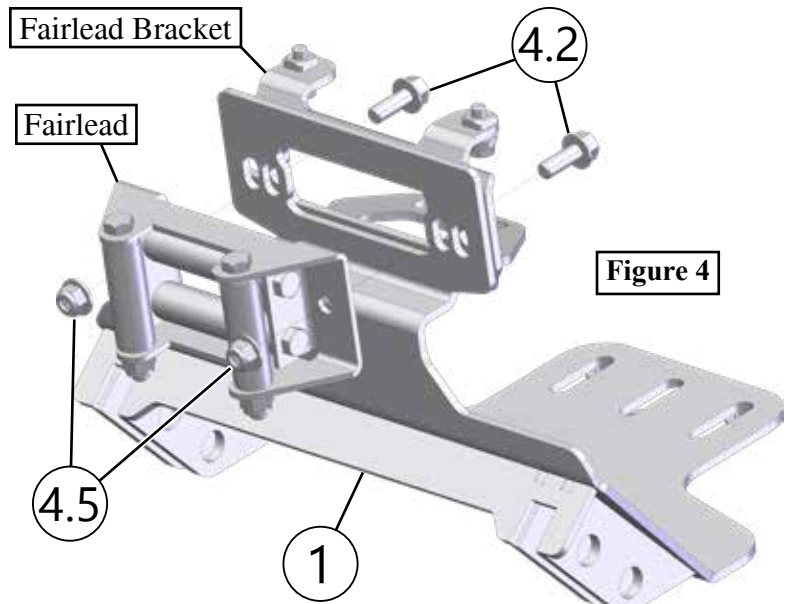
RZR 900 INSTALLATION

Note: Make sure all hardware needed to complete this mount is in the package. Thoroughly read through and understand the instructions before installing.

Note: Plow fairlead pulley is recommended on this machine due to the location of the winch. For installation instructions, see page 4.

Note: This KFI plow mount Requires the KFI winch mount #100765 to be installed prior to installing the plow mount.

1. If winch mount is already installed, remove the roller fairlead or hawse and set aside as it will be reinstalled in a later step.
2. Set plow mount (1) in place and loosely secure fairlead and plow mount (1) to fairlead bracket of the winch mount using bolts (4.2) and nuts (4.5) as shown in **Figure 4**.
3. Secure bottom of plow mount (1) to the frame of the machine using bolts (4.6) as shown in **Figure 5**.
4. Tighten all hardware evenly.

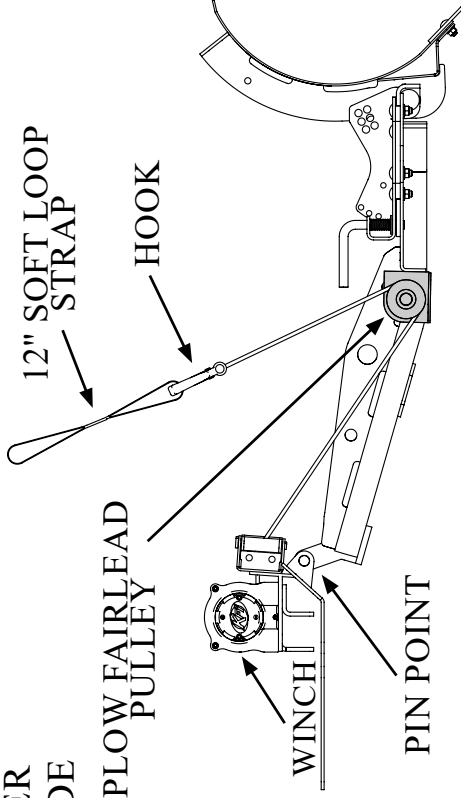
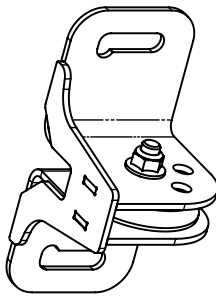




THIS MOUNT RECOMMENDS A PLOW PULLEY

SYNTHETIC ROPE PLOW FAIRLEAD PULLEY

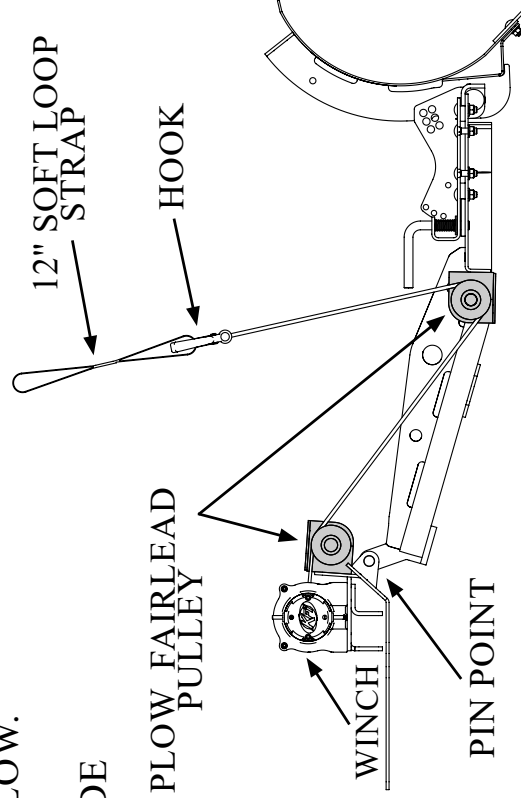
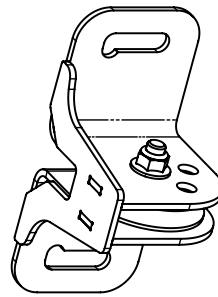
- ALUMINUM ROLLER
- STANDARD OR WIDE



----- OR -----

STEEL CABLE PLOW FAIRLEAD PULLEY

- RECOMMEND A PULLEY AT THE WINCH AS WELL AS PUSH TUBE.
- VIEW EXAMPLE BELOW.
- STEEL ROLLER
- STANDARD OR WIDE



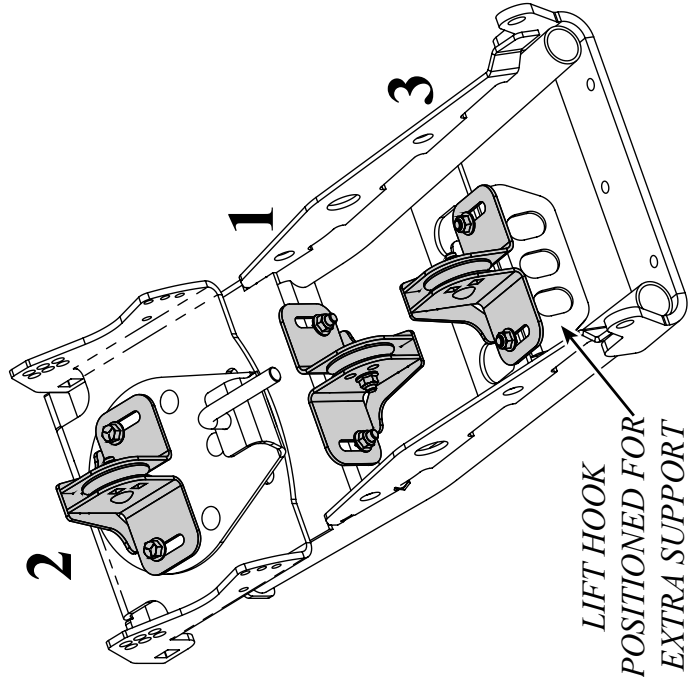
12\"/>

WHY USE A PULLEY?

WHEN THE WINCH FAIRLEAD AND PLOW PIN POINT ARE CLOSE TO EACH OTHER, IT CREATES A SHALLOW LIFTING ANGLE. BY ADDING A PULLEY, YOU ARE CHANGING THE WINCH ANGLE TO A MORE VERTICAL LIFTING POSITION. THIS WILL PROVIDE LESS STRAIN ON THE WINCH AND ENTIRE PLOW SYSTEM.

POSSIBLE POSITIONS

STANDARD FAIRLEAD PULLEY REQUIRED FOR ALL PUSH TUBE APPLICATIONS



LIFT HOOK
POSITIONED FOR
EXTRA SUPPORT