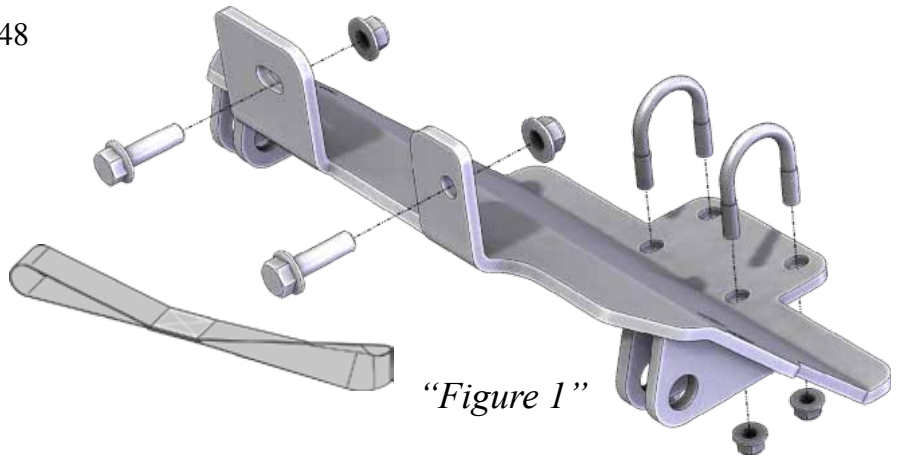


CFMOTO TERRACROSS PLOW MOUNT

Plow Mount PART # 105480
 Hardware Kit: HK-148

Kit Components:

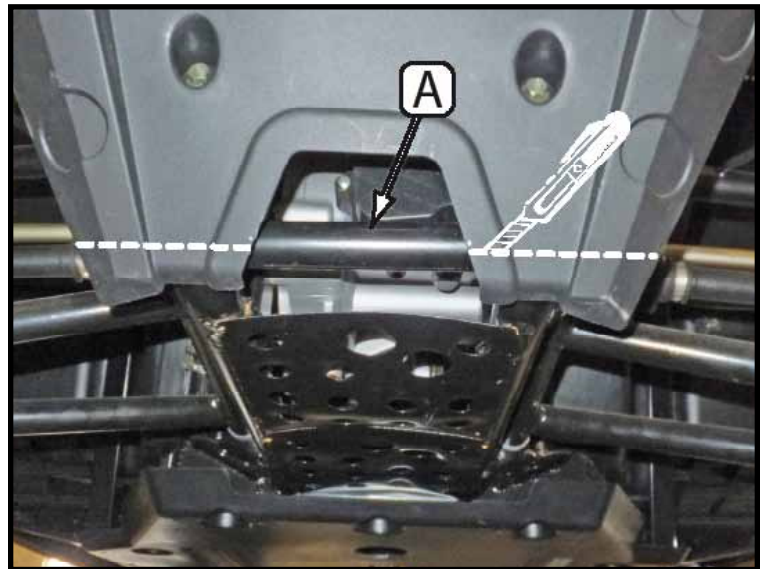
Qty.	Part Description
1.....	Plow Mount Plate
2.....	3/8"-16 x 1 1/4" Flange Bolt
2.....	3/8"-16 Nylock Flange Nut
2.....	5/16"-18 U-Bolt
4.....	5/16"-18 Nylock Flange Nut
1.....	12" Soft Loop Strap



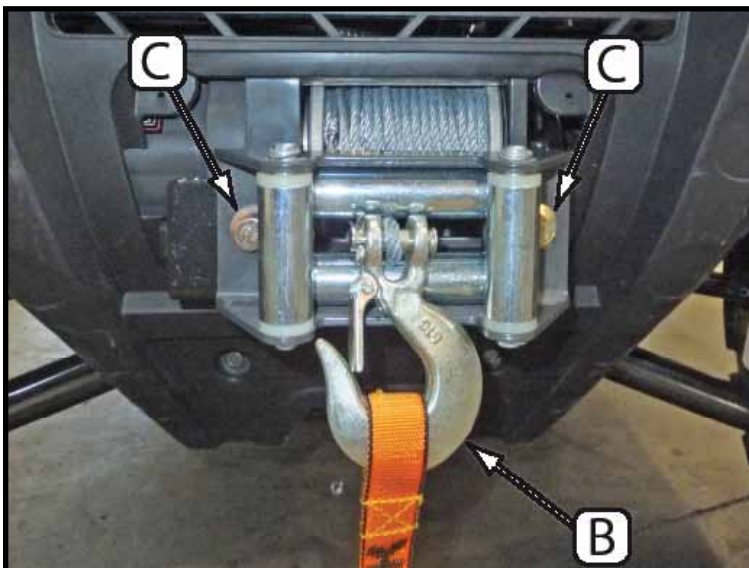
"Figure 1"

INSTALLATION INSTRUCTIONS:

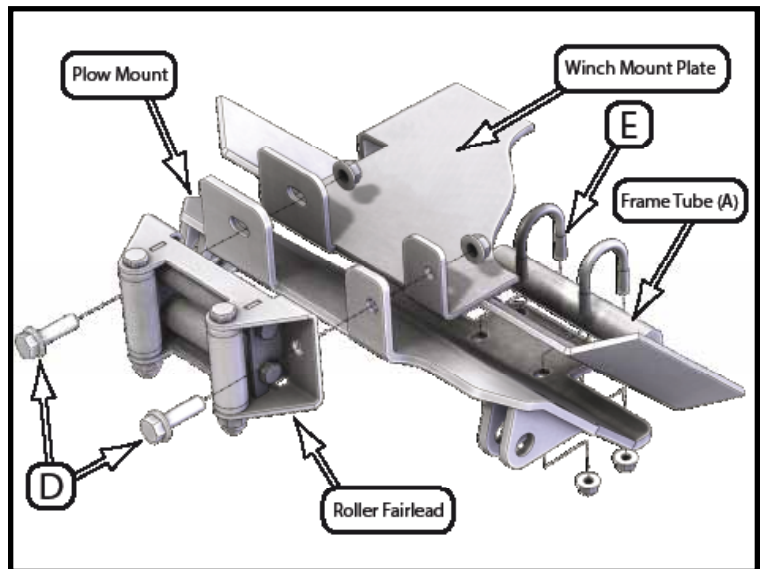
1. Start by trimming the plastic 1/4" above the Frame Tube (A) as shown in Figure 2.
2. Remove pre-installed roller fairlead by first taking off the hook (B). Then remove the bolts (C) holding the roller fairlead in place.
3. Install plow mount and roller fairlead to winch mount using the 3/8" Bolts (D) and Nuts provided in the hardware kit, leave loose. Install 5/16" U-bolts (E) and Nuts to Frame Tube (A) as shown in Figure 4.
4. Tighten down all bolts.
5. Reinstall the hook.
6. See UTV Plow Tube System instruction manual for tube attachment.



"Figure 2" Trimming of Plastic



"Figure 3" Roller Fairlead Removal



"Figure 4" Mount Plate Install

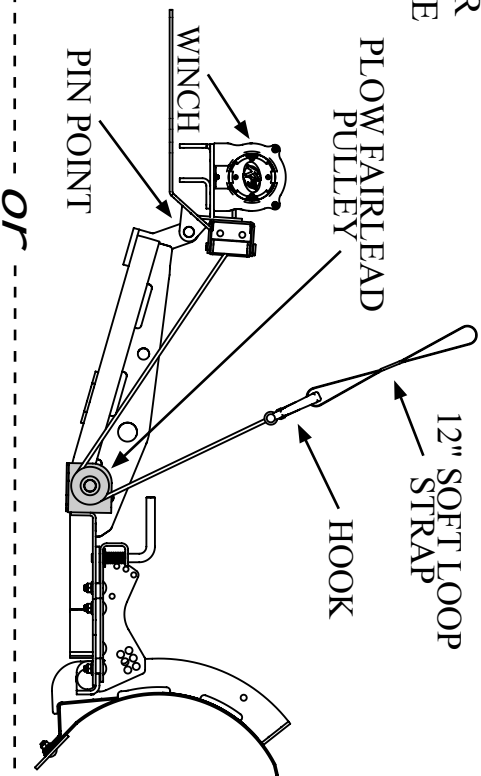
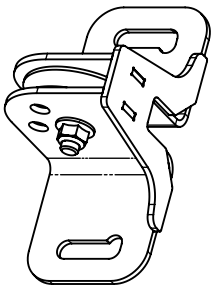




THIS MOUNT RECOMMENDS A PLOW PULLEY

SYNTHETIC ROPE PLOW FAIRLEAD PULLEY

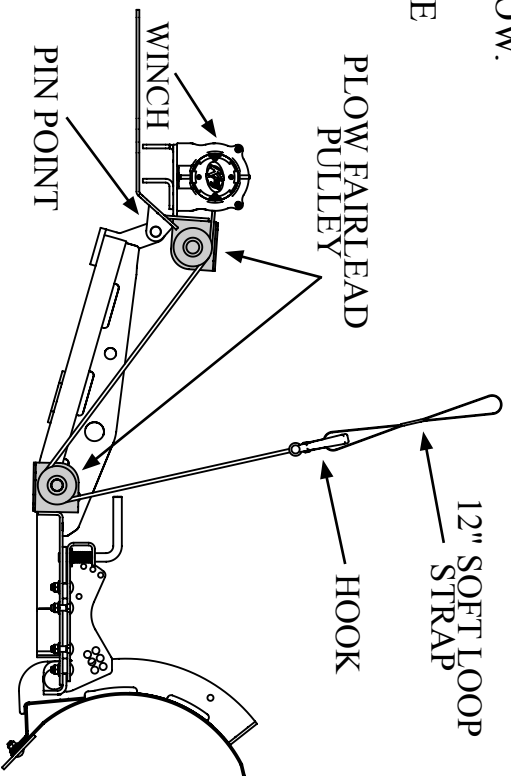
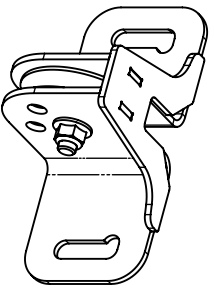
- ALUMINUM ROLLER
- STANDARD OR WIDE



or

STEEL CABLE PLOW FAIRLEAD PULLEY

- RECOMMEND A PULLEY AT THE WINCH AS WELL AS PUSH TUBE.
- VIEW EXAMPLE BELOW.
- STEEL ROLLER
- STANDARD OR WIDE

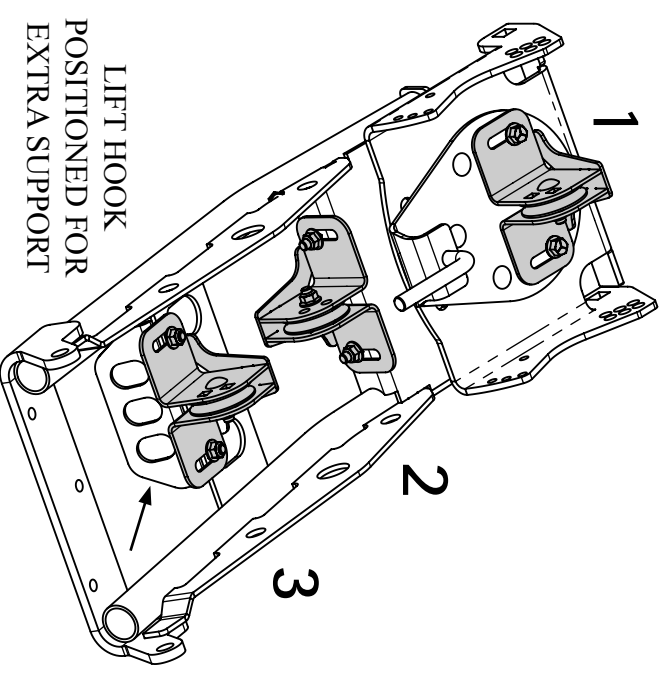


WHY USE A PULLEY?

WHEN THE WINCH FAIRLEAD AND PLOW PIN POINT ARE CLOSE TO EACH OTHER, IT CREATES A SHALLOW LIFTING ANGLE. BY ADDING A PULLEY, YOU ARE CHANGING THE WINCH ANGLE TO A MORE VERTICAL LIFTING POSITION. THIS WILL PROVIDE LESS STRAIN ON THE WINCH AND ENTIRE PLOW SYSTEM.

possible positions

STANDARD FAIRLEAD PULLEY REQUIRED FOR ALL PUSH TUBE APPLICATIONS



12\"/>