

# LINHAI BIGHORN 28

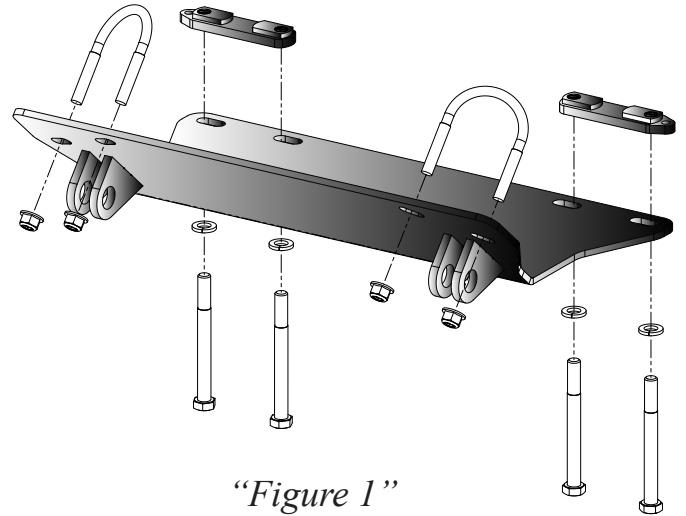
Plow Mount

PART # 105625

Hardware Kit: HK-156

**Kit Components:**

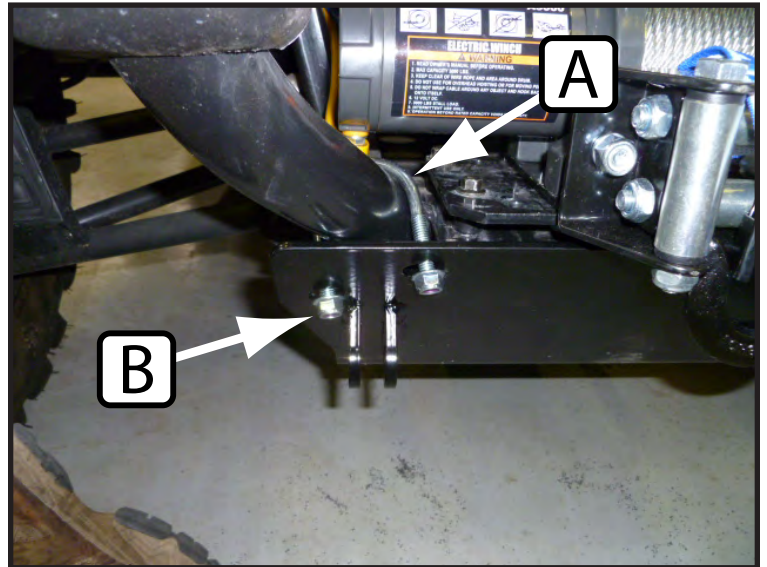
Qty.	Part Description
1.....	Plow Mount Plate
2.....	Bolt Plate
4.....	3/8"-16 x 3 3/4" Bolt
4.....	3/8" Split Lock Washer
2.....	5/16"-18 x 1 7/8" U-Bolt
4.....	5/16"-18 Flanged Nylock Nut



*"Figure 1"*

**INSTALLATION INSTRUCTIONS:**

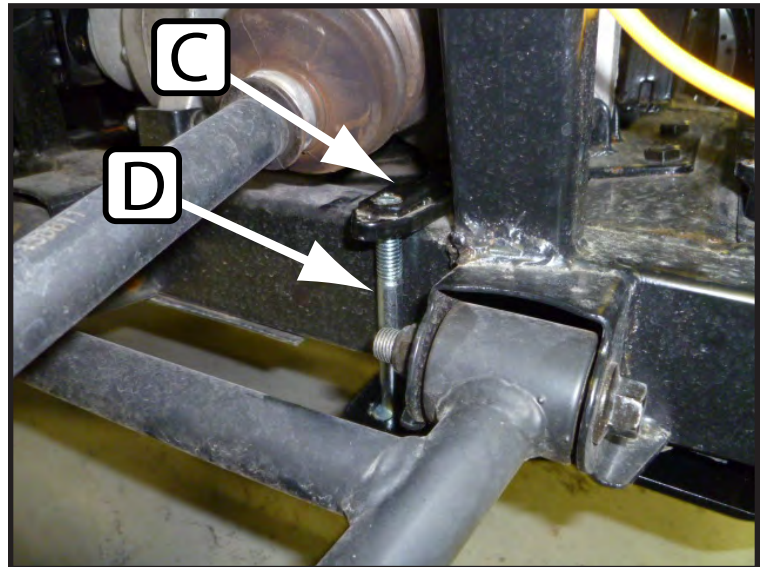
1. Place u-bolts (A) over tubes as shown in Figure 2. Loosely install the mount plate to the u-bolts using the 5/16" nuts (B) provided in the hardware kit.
2. Using the mount plate as a template drill through the skid plate on the 2 inner holes on the bottom of the machine as shown in Figure 3.
3. Install the bolt plates (C) over frame tubes using the 3-3/4" bolts (D) as shown in Figure 4.
4. Tighten down all bolts.
5. See UTV Plow Tube System instruction manual for tube attachment.



*"Figure 2" U-bolt Install*



*"Figure 3" Skid Plate Drilling*



*"Figure 4" Bolt Plate Install*

