

# KYMCO UXV 500i / 700i

## PLOW MOUNT

Plow Mount

PART # 105685

Hardware Kit: HK-174

Kit Components:

Item #	Qty.	Description
1	1	Plow Mount
2	2	Mount Bracket
3	4	5/16-18 X 1-1/4 Carriage Bolt
4	4	5/16-18 Hex FlangeNylok Nut
5	2	M6-1.00 X 25mm Hex Flange Bolt

### INSTALLATION INSTRUCTIONS:

*Note: Make sure all of the hardware needed to complete this mount are in the package. Read through and understand the instructions before installing.*

1. Remove the front plastic bumper guard by taking out the (4) bolts shown in [Figure 2](#). You will no longer need this piece for the install.
2. Attach the fairlead roller that came with your winch to the front of the mount using the bolts provided with the winch. Shown in [Figure 3](#).
3. Set the plow mount #1 on the bumper and attach the mount brackets #2 over the tube to the back side of the plow mount #1. Bolt on using the 5/16 carriage bolts #3 and 5/16 nuts #4. Shown in [Figures 4 & 5](#).

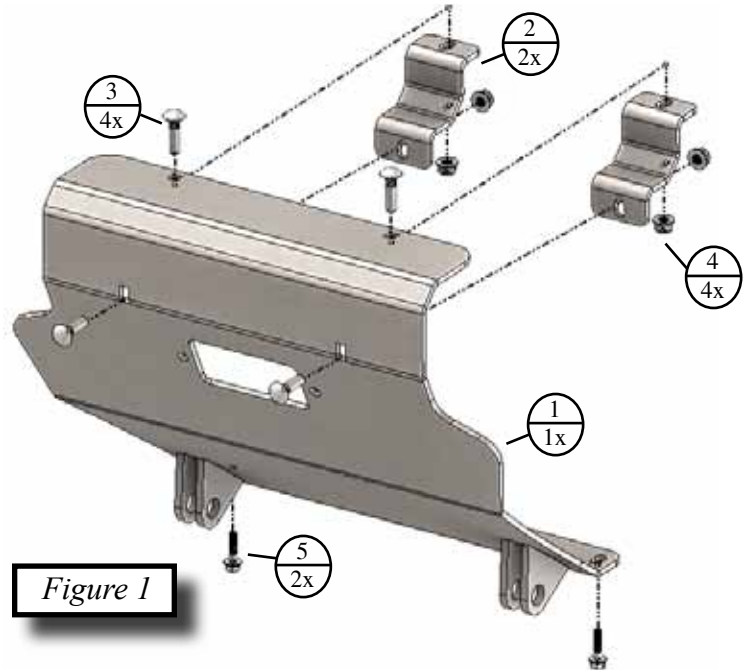


Figure 1

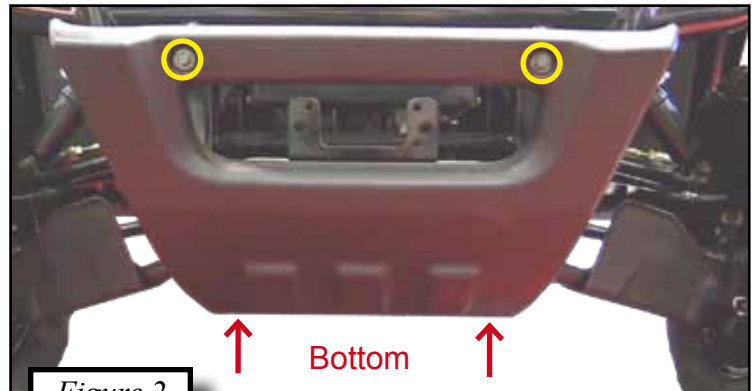


Figure 2

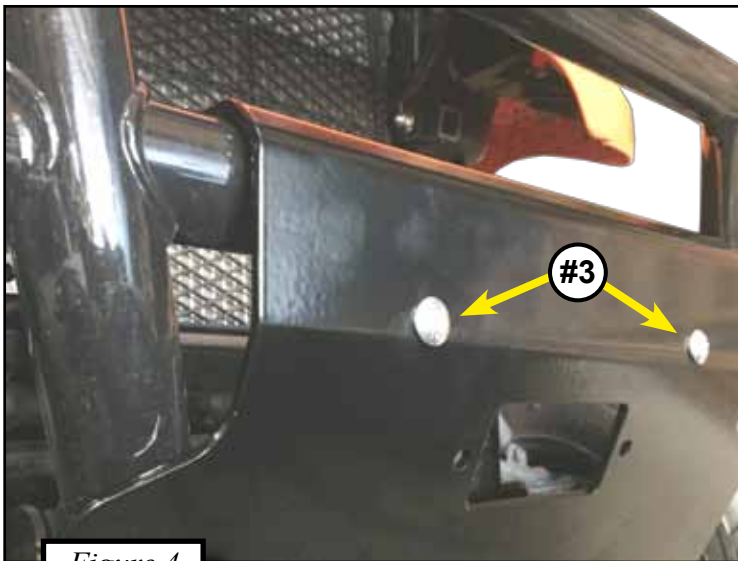


Figure 4



Figure 3

4. Attach the bottom of the plow mount using the M6 bolts #5 into the stock holes from the previous bumper. Shown in Figure 6.
5. Tighten all hardware down.

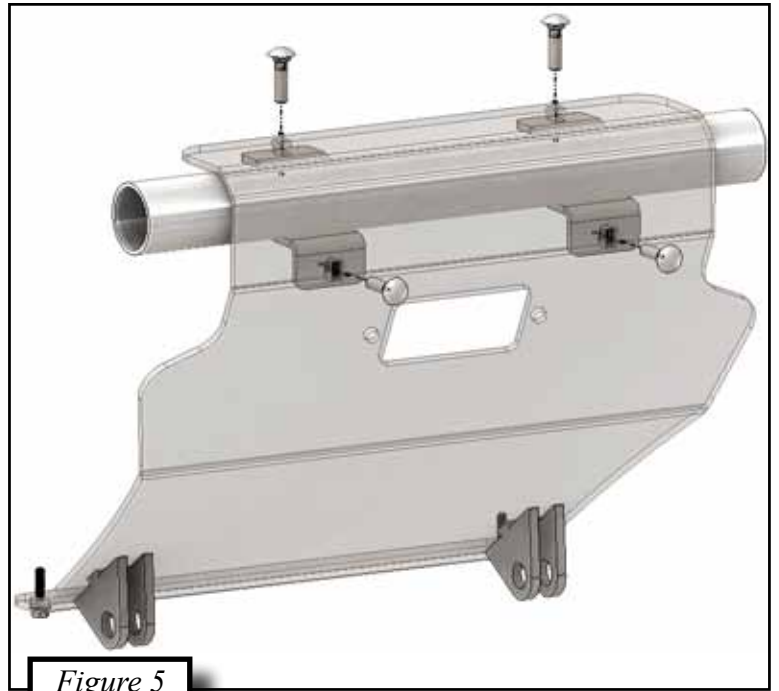


Figure 5

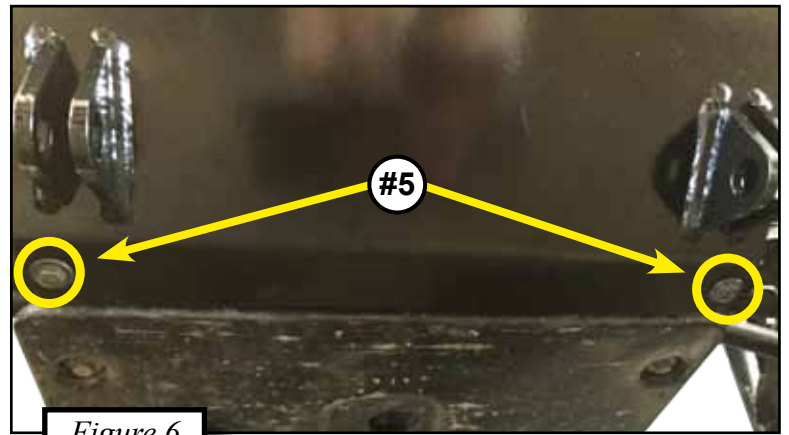


Figure 6

