

LINHAI 700

PLOW MOUNT

Plow Mount

PART # 105730

Hardware Kit: HK-172

Kit Components:

Item #	Qty.	Description
1	1	Plow Mount
2	2	Mount Bolt Plate
3	4	3/8-16 X 3 1/2" Hex Flange Bolt
4	2	10mm X 1.25 X 30mm Hex Flange Bolt

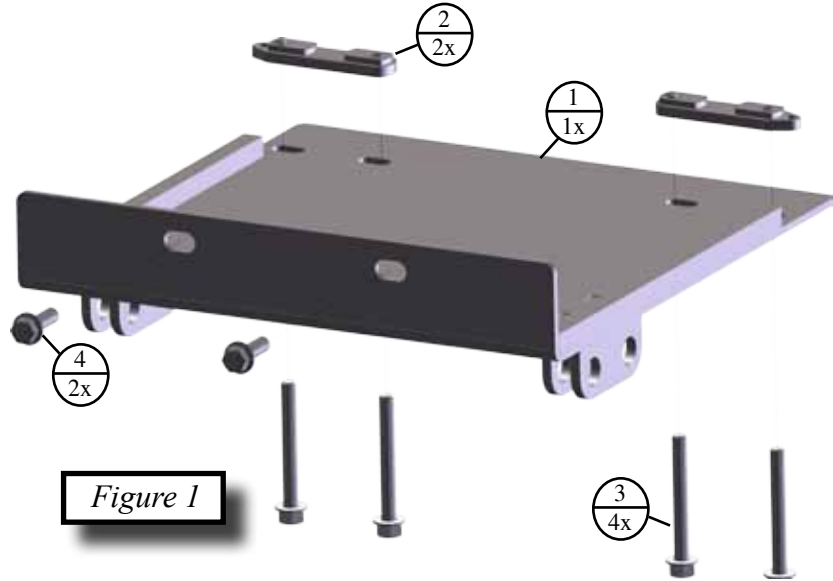


Figure 1

INSTALLATION INSTRUCTIONS:

Note: Make sure all of the hardware needed to complete this mount are in the package. Read through and understand the instructions before installing.

1. Remove the stock bumper bolts (A) and set aside. Shown in [Figure 2](#).
2. Slide the plow mount up between the front bumper and the frame and loosely bolt together using the 10mm bolts provided into the stock holes. Shown in [Figure 3](#).
3. Hold the back of the plow mount up to the frame and set the Bolt Plate (2) on the top of the frame on each side and bolt together using the four 3/8-16" bolts provided. Shown in [Figure 4](#).
4. Tighten all hardware down.
5. See UTV Plow Tube System instruction manual for tube attachment.

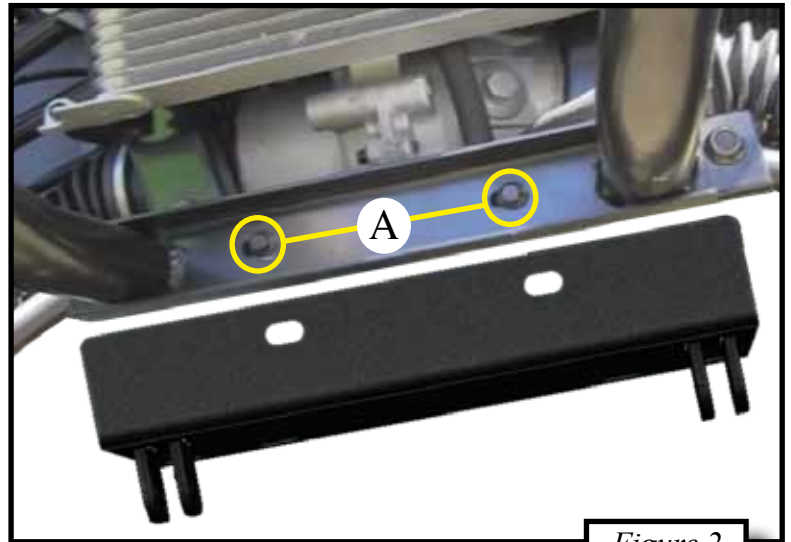


Figure 2

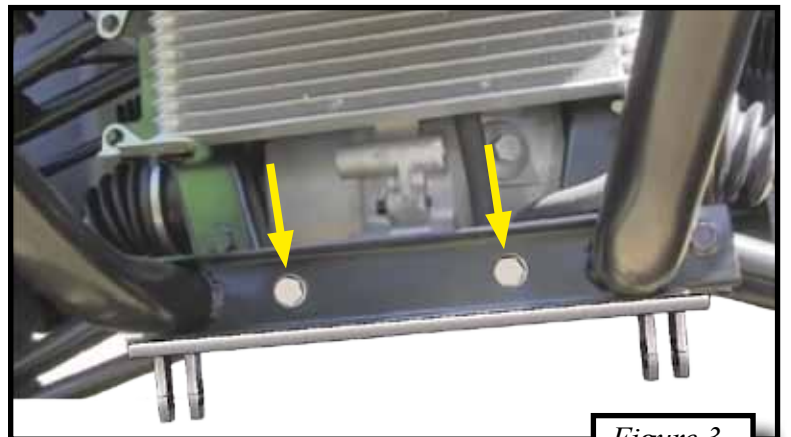


Figure 3

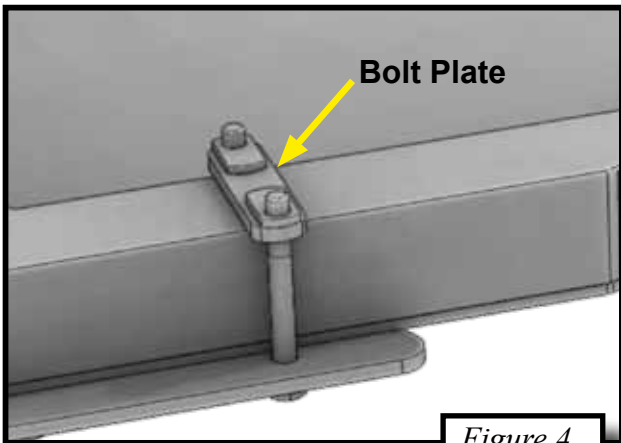


Figure 4

