

# CF MOTO C-FORCE / YAMAHA KODIAK

## PLOW MOUNT

Plow Mount                      PART # 105750  
Hardware Kit: HK-112

### Kit Components:

Qty.	Part Description
1.....	Plow Mount Plate
8.....	5/16" Flange Nylock Nut
4.....	5/16" X 1-3/8" X 2" U-Bolt

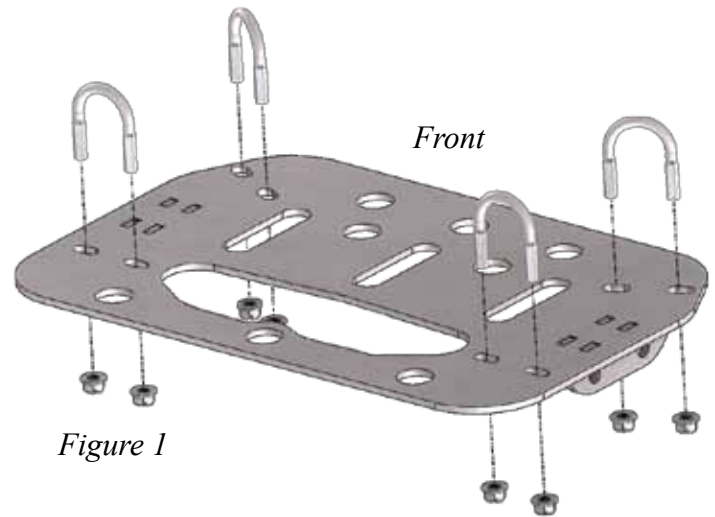


Figure 1

## INSTALLATION INSTRUCTIONS:

### Marking The Skid Plate

1. **(On the 400 / 500 / 500s)** Hold the mount up to the skid plate underneath the ATV. Measure 4" back from the front of the center skid plate. Shown in [Figure 2](#). Center your mount and mark bolt holes using the mount as a template.
2. **(On the 500 HO / 600)** Hold the mount up to the skid plate underneath the ATV. Measure 1.5" back from the front skid plate to the front of the mount. Shown in [Figure 3](#). Center your mount and mark bolt holes using the mount as a template.
3. Using a 1/2" bit, drill out the marked holes from your mount plate. An alternate way is to cut out the outside holes to fit your U-Bolts. Shown in [Figures 4 & 5](#).
4. Hang the four U-Bolts over the frame tubing using either variation. Shown in [Figures 4 & 5](#).
5. Attach the mounting plate to the U-Bolts using the hardware provided. Shown in [Figures 6 & 7](#). **(TIGHTEN LOOSELY AT THIS TIME.)**

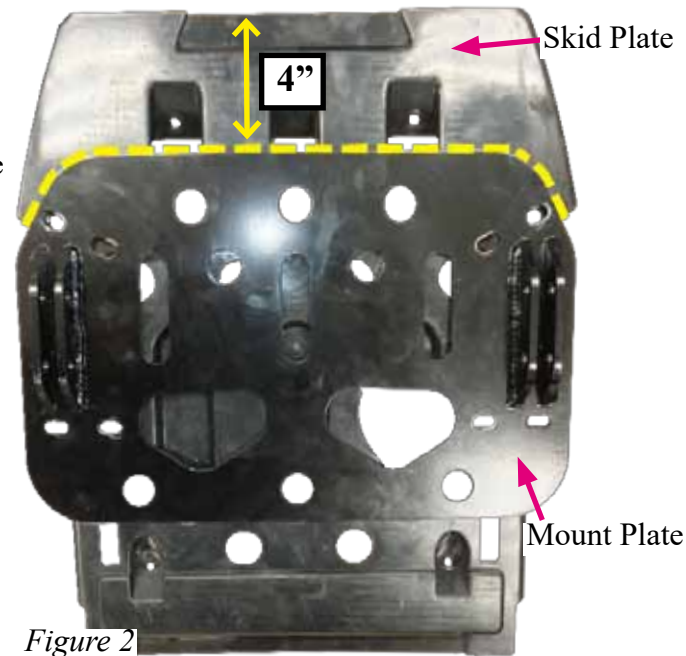


Figure 2

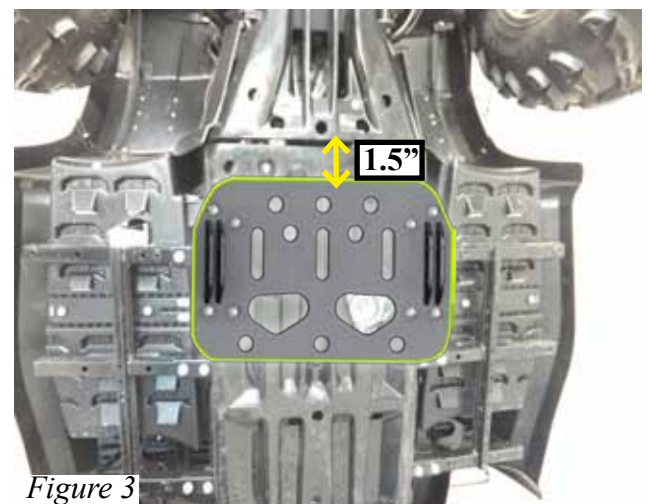


Figure 3

Skid Plate

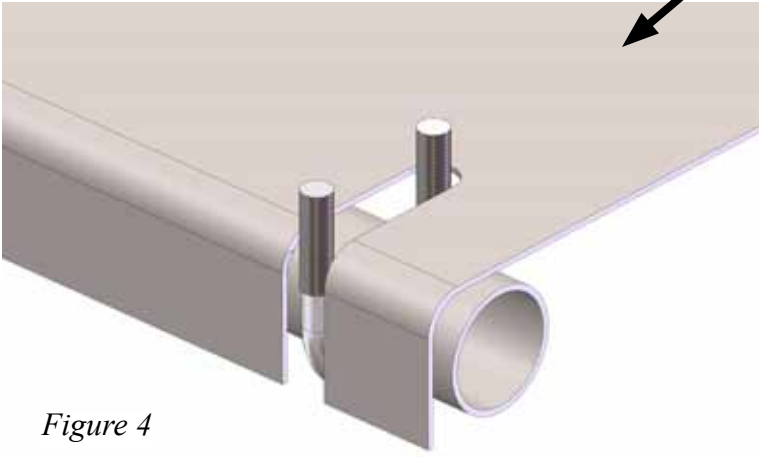


Figure 4

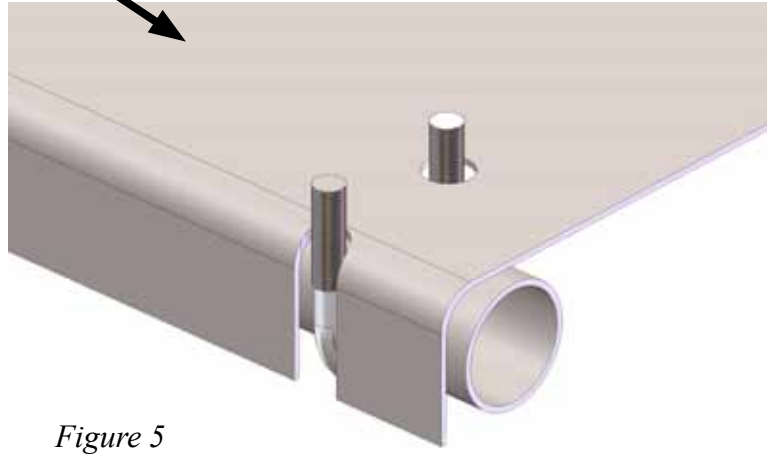


Figure 5

6. Tighten all U-Bolts at this time making sure they are all tightened down evenly and centered as. Shown in Figure 7.



Figure 6



Figure 7

