

Kubota RTV/RTV-X

Plow Mount

PART # 105775

Hardware Kit: HK-127

Kit Components:

Qty. Part Description

- 1..... Plow Mount Plate
- 4..... M12-1.25 x 30mm Hex Bolt
- 4..... M12 Flat Washer
- 1..... 12" Soft Loop Strap

INSTALLATION INSTRUCTIONS:

1. Remove Bolts (A) from bumper of machine if equipped and set aside. Shown in Figure 2.

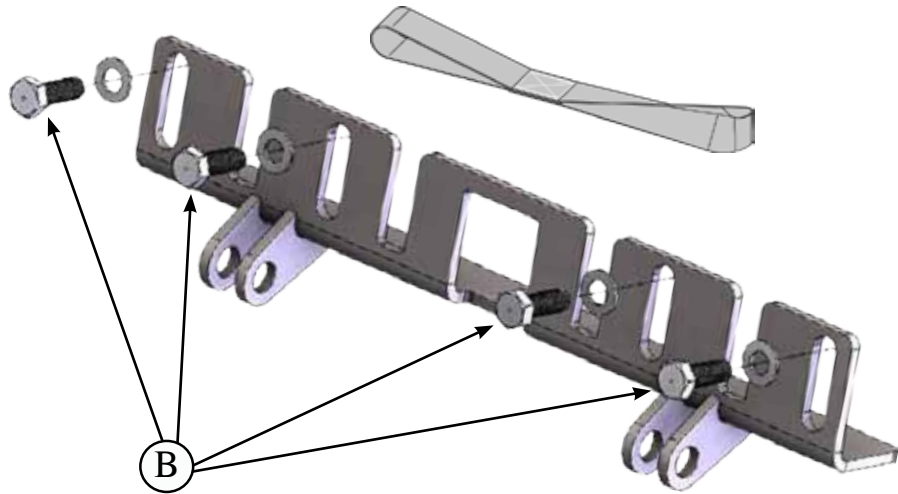
2. While holding mount plate up to machine loosely install 30mm Bolts (B) and washers over top of the bumper if equipped as shown in Figure 1 & 3.

3. Tighten down all bolts while holding mount tight against bottom of machine.

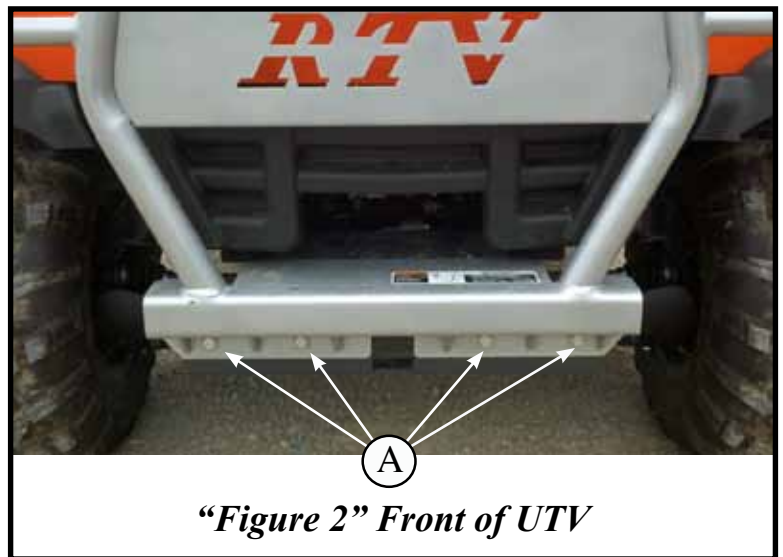
Note:

Make sure mount is tight against the bottom of the machine or mount could get bent and damaged.

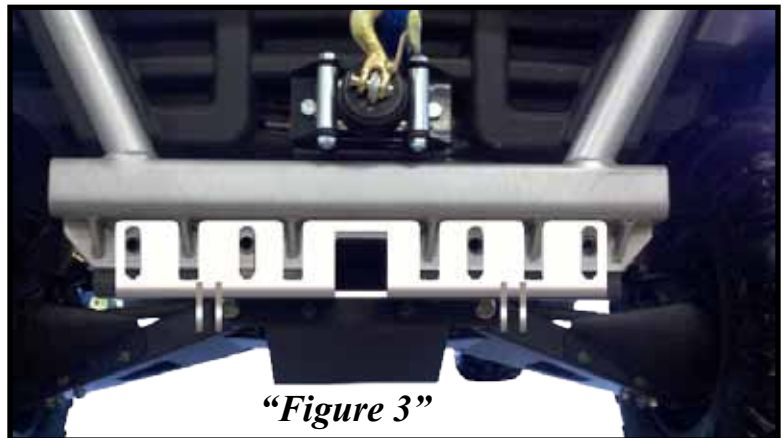
4. See ATV Plow Tube System instruction manual for tube attachment.



“Figure 1”



“Figure 2” Front of UTV



“Figure 3”

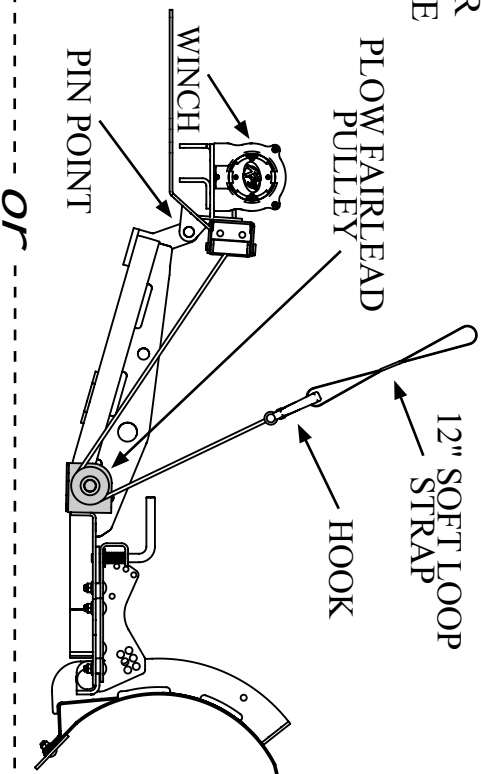
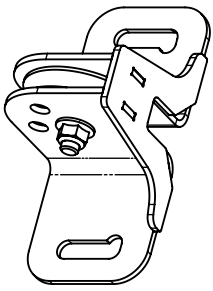




THIS MOUNT RECOMMENDS A PLOW PULLEY

SYNTHETIC ROPE PLOW FAIRLEAD PULLEY

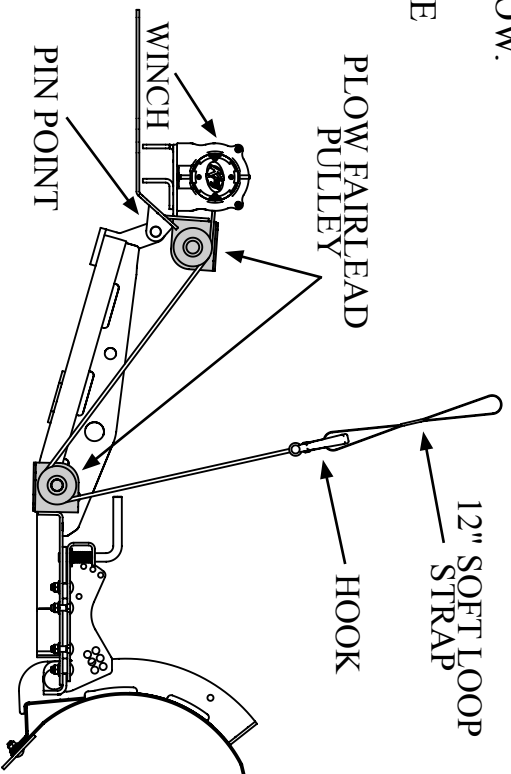
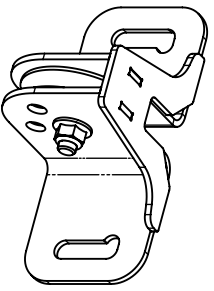
- ALUMINUM ROLLER
- STANDARD OR WIDE



or

STEEL CABLE PLOW FAIRLEAD PULLEY

- RECOMMEND A PULLEY AT THE WINCH AS WELL AS PUSH TUBE.
- VIEW EXAMPLE BELOW.
- STEEL ROLLER
- STANDARD OR WIDE

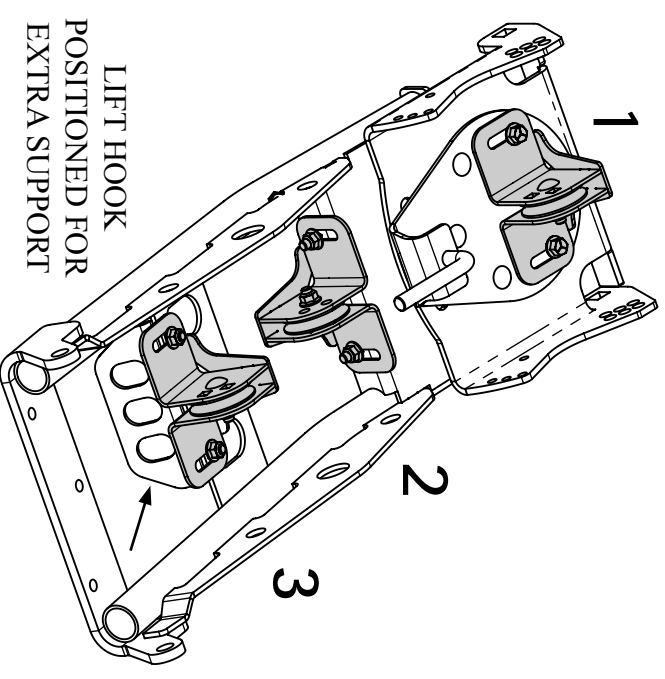


WHY USE A PULLEY?

WHEN THE WINCH FAIRLEAD AND PLOW PIN POINT ARE CLOSE TO EACH OTHER, IT CREATES A SHALLOW LIFTING ANGLE. BY ADDING A PULLEY, YOU ARE CHANGING THE WINCH ANGLE TO A MORE VERTICAL LIFTING POSITION. THIS WILL PROVIDE LESS STRAIN ON THE WINCH AND ENTIRE PLOW SYSTEM.

possible POSITIONS

STANDARD FAIRLEAD PULLEY REQUIRED FOR ALL PUSH TUBE APPLICATIONS



12\"/>