

# SUZUKI 250/280/300

## PLOW MOUNT

Plow Mount

PART # 105790

Hardware Kit: HK-167

### Kit Components:

Qty.	Part Description
1.....	Plow Mount Plate
1.....	Mount Extension
2.....	5/16"-18 x 1-1/4" x 2.00" U-Bolt
2.....	5/16-18 X 1.00" Carriage Bolt
2.....	5/16" Flat Washer
6.....	5/16"-18 Flanged Nylock Nuts

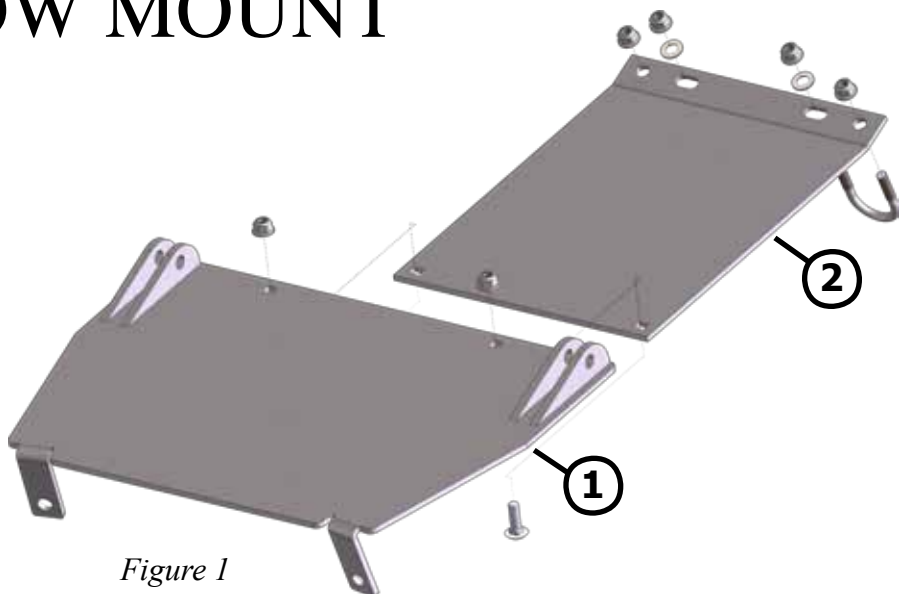


Figure 1

### Installation Instructions:

1. Remove the stock skid plate from the bottom of the ATV.
2. Attach the plow mount plate (1) to the mount extension (2) using hardware provided. Shown in [Figure 1](#). **DO NOT TIGHTEN AT THIS TIME.**
3. Hang the U-Bolts (A) through the gusset ahead of the fender bracket over the frame. Shown in [Figure 2](#).
4. Remove the nut (B) from the front knuckle of the rear A-arm. Place the mount plate tabs up onto the the A-arm bolt and reattach the nuts sandwiching the mount. **DO NOT TIGHTEN AT THIS TIME.**
5. Swing the attached mount extension up to the hanging U-Bolts and tighten down evenly using the hardware provided.
6. Tighten the rest of the bolts securely and torque the A-arm nuts to the manufacturers specifications.

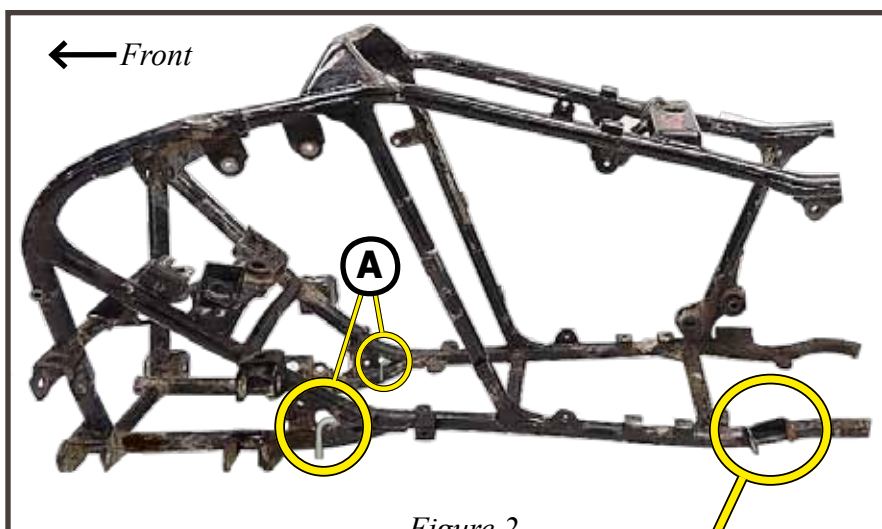


Figure 2

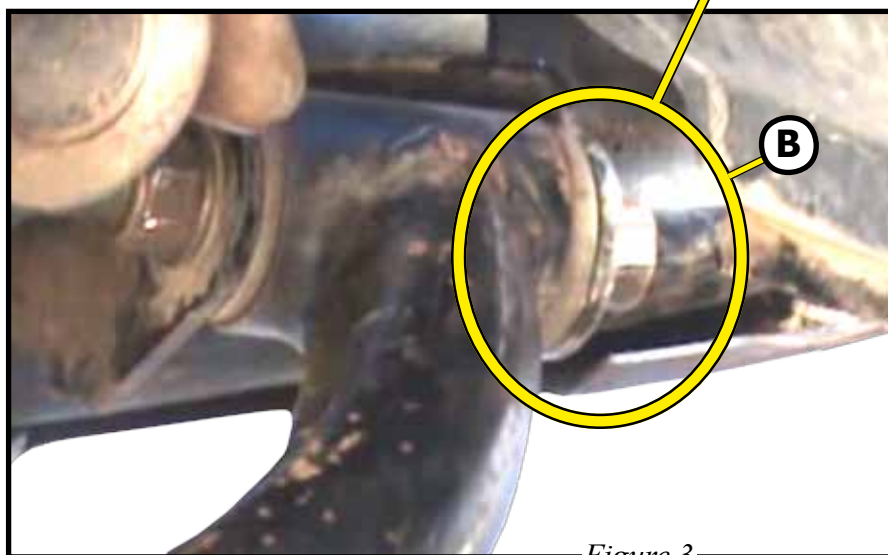


Figure 3

See [ATV Plow Tube Systems](#) for tube attachments.

