

YAMAHA GRIZZLY 600/ 01-OLDER

PLOW MOUNT

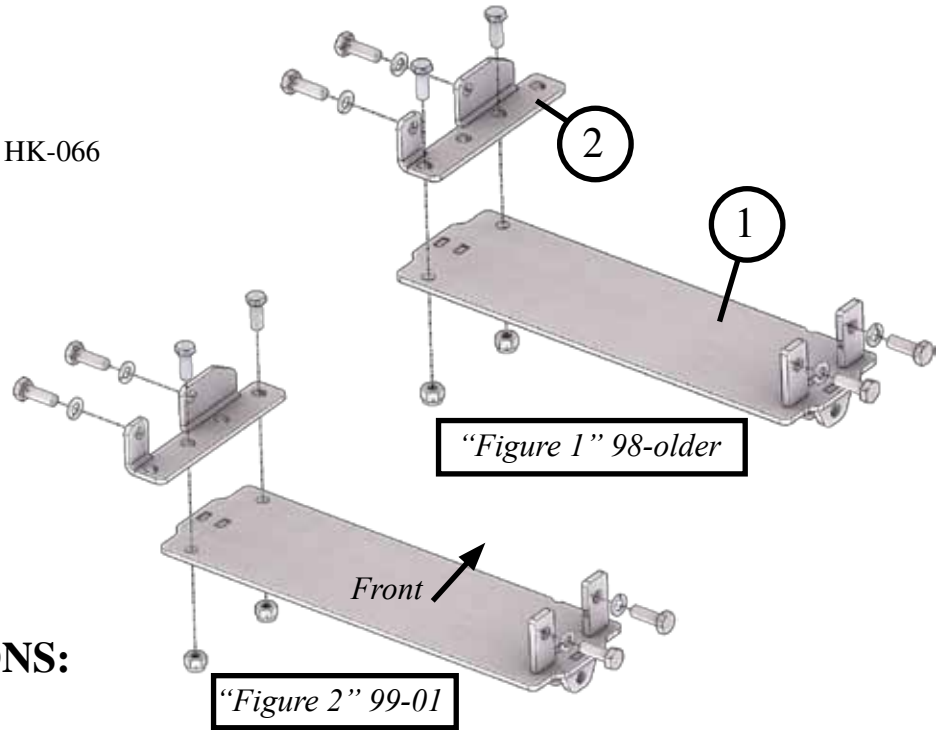
Plow Mount

PART # 105795

Hardware Kit: HK-159, HK-066

Kit Components:

Qty.	Part Description
1.....	Plow Mount Plate
1.....	Attaching Bracket
4.....	M10 1.25 X 30mm Hex Bolt
4.....	M10 Lock Washer
4.....	M10 Flat Washer
3.....	3/8"-16 X 1.00 Hex Bolt
6.....	3/8" SAE Flat Washer
3.....	3/8"-16 Nylock Nut



INSTALLATION INSTRUCTIONS:

Note: Not all of the hardware in this kit will be used to attach the mount. Read and understand all of the instructions before starting.

1. Attach the bracket (2) to the mounting plate (1) using the correct holes. Shown in Figures 1 & 2 depending on model year.
2. Remove the two bolts on the front foot pegs on either side of the ATV and retain them.
3. Align the mount up to the outside of the front foot pegs on each side and attach using the four M10 X 30 provided in the hardware kit. Shown in Figures 3 & 4.
4. See ATV Plow Tube System instruction manual for tube attachment.

