

TEXTRON STAMPEDE 900

PLOW MOUNT

Plow Mount

PART # 105815

Hardware Kit: HK-173

Kit Components:

Item #	Qty.	Description
1	1	Plow Mount
2	1	Spacer Plate
3	4	M10-1.50 X 35mm Hex Flange Bolt
4	2	M10-1.50 X 60mm Hex Flange Bolt

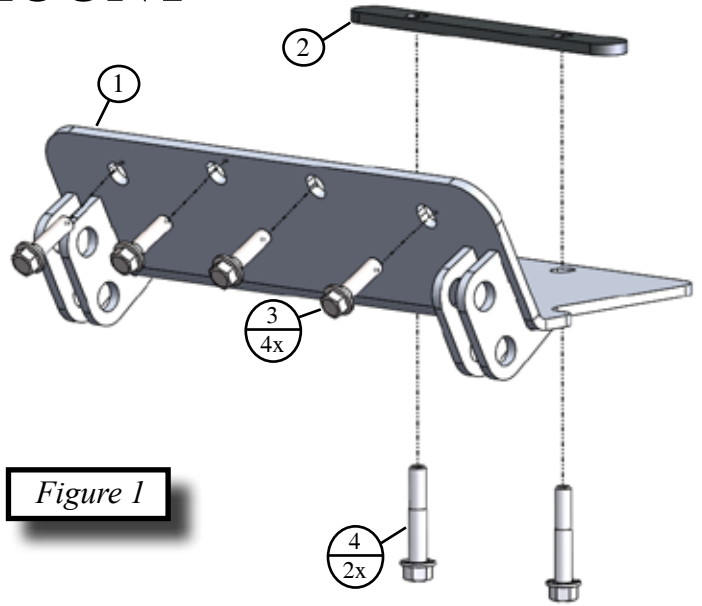


Figure 1

INSTALLATION INSTRUCTIONS:

Note: Make sure all of the hardware needed to complete this mount are in the package. Read through and understand the instructions before installing.

1. Remove the two bolts (A) and four bolts (B) from the factory holes in the bottom of the front lower bumper plate. Shown in [Figure 2](#).
2. Line the clips (C) with the OEM holes on the skid plate (D). Shown on [Figure 3](#).
3. Set the skid plate (D) on the the plow mount (1) Shown on [Figure 3](#).
4. Place the mount assembly back up to the bumper and re-attach it using the four included flange bolts (3). Shown in [Figure 4](#).

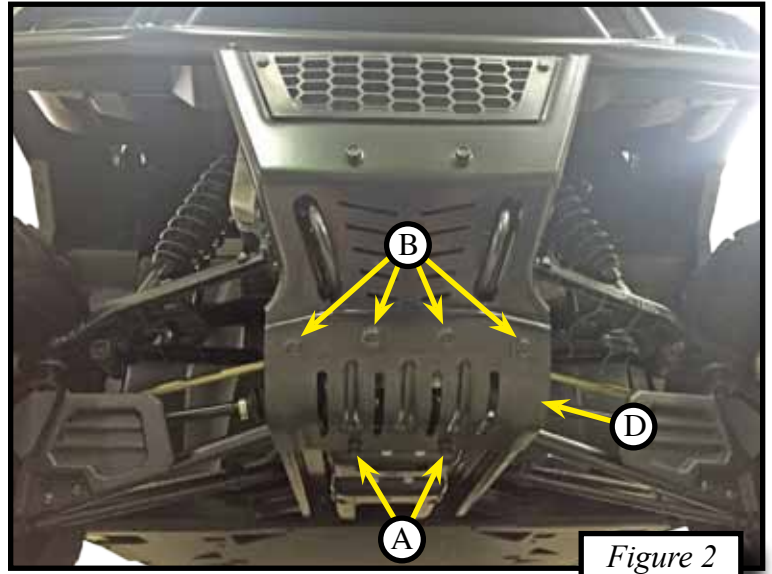


Figure 2

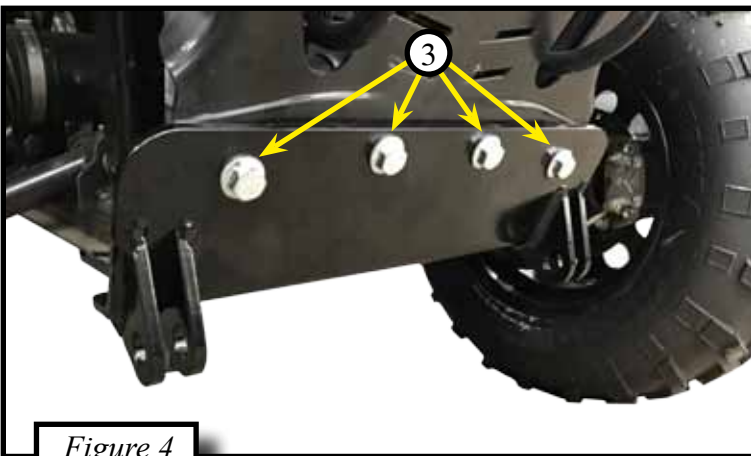


Figure 4

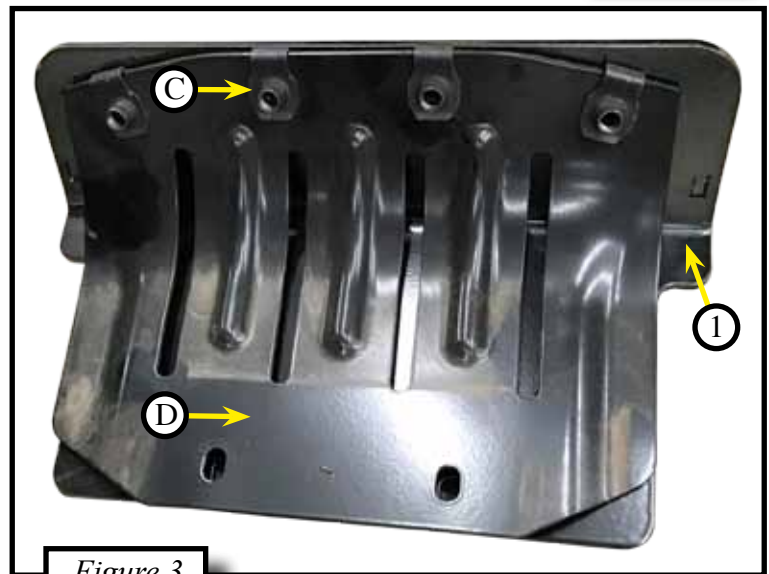


Figure 3

5. Set the spacer plate (2) between the frame of the machine and the mount (1). Shown in [Figure 6](#).
6. Bolt the rear of the plow mount (1) up to the frame into the OEM holes using the two bolts (4). Shown in [Figures 5 & 6](#).
7. Tighten all hardware down.
8. See ATV Plow Tube System instruction manual for tube attachment.

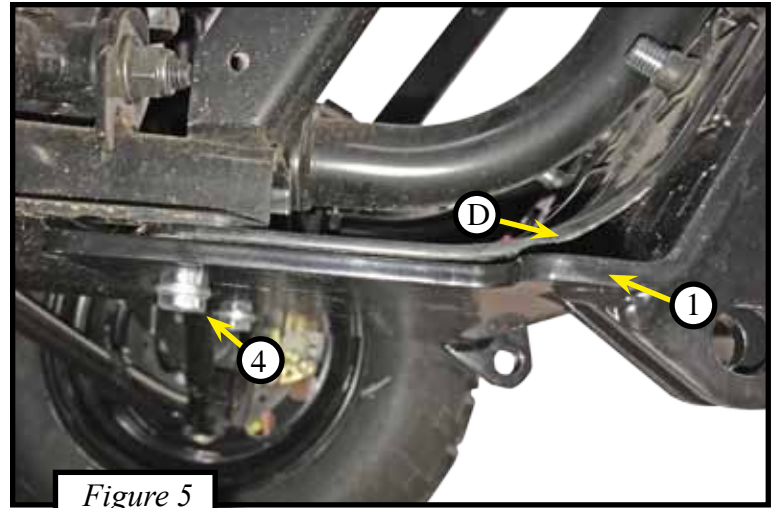


Figure 5

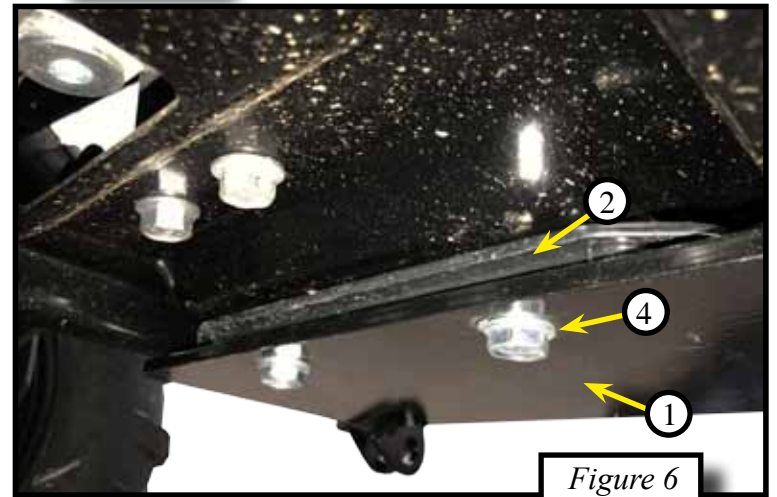


Figure 6

