

POLARIS RANGER 1000

GLACIER ADAPTER

Plow Mount

PART # 105975

Hardware Kit: HK-184

Kit Components:

Item #	Qty.	Description
1	1	Plow Mount Glacier Adapter
2	2	Plow Mount Glacier Adapter Catch
3	3	3/8"-16 X 1" Hex Flange Bolt
4	3	3/8"-16 Flange Nylock Nut
5	2	5/8"-11 X 1-3/4" Hex Bolt
6	4	5/8" SAE Flat Washer
7	2	5/8" Split Lock Washer
8	2	5/8"-11 Hex Nut
9	2	1/2" SAE Flat Washer
10	2	3/4" x 5/32" Dia Cotter Pin
11	2	3/8" Safety Pin

INSTALLATION INSTRUCTIONS:

Note: Make sure all of the hardware needed to complete this mount is in the package. Read through and understand the instructions before installing.

1. Line up UTV pushtube with the plow mount, Place bolt (5) through flat washer (6) and plow mount bracket. Slide washer (6) lock washer (7) and nut (8) onto the bolt (5) shown in [Figure 2](#). Repeat step on other side and tighten bolts down snug.

Note: If your pushtube does not have 3 holes in rear attachment bracket proceed to step 2, if it has holes proceed to step 3.

2. Using plow mount bracket as a drill template, drill three bolt holes (A) using 3/8" Dia drill bit shown in [Figure 3](#).
3. Place three bolts (3) through pushtube and attach nuts (4) to bolts as shown in [Figure 4](#). Tighten bolts down snug.

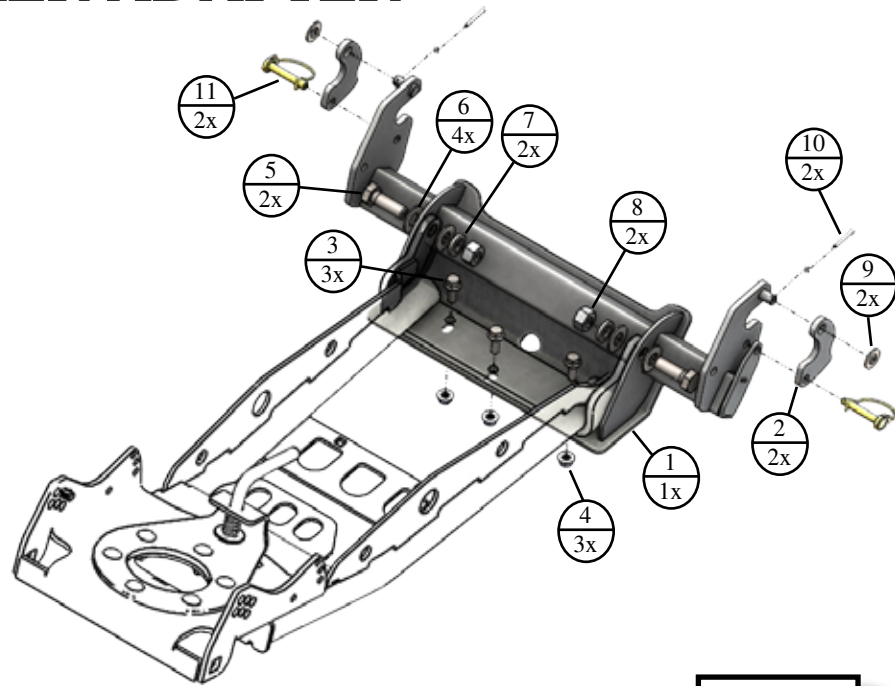


Figure 1

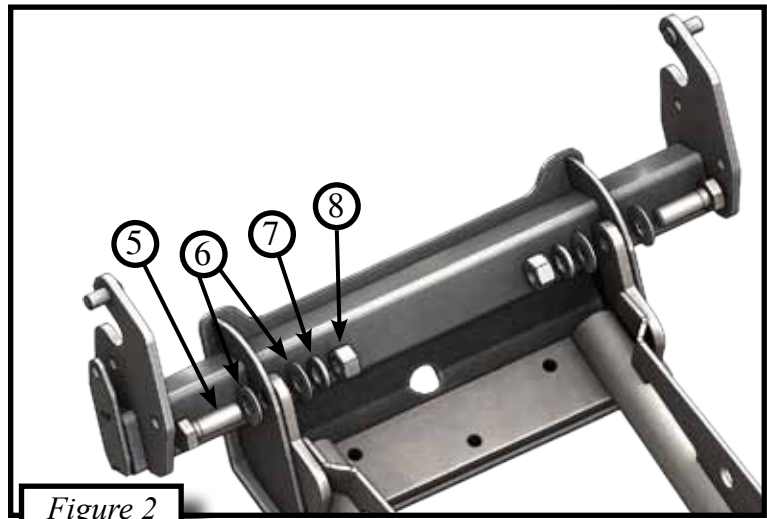


Figure 2

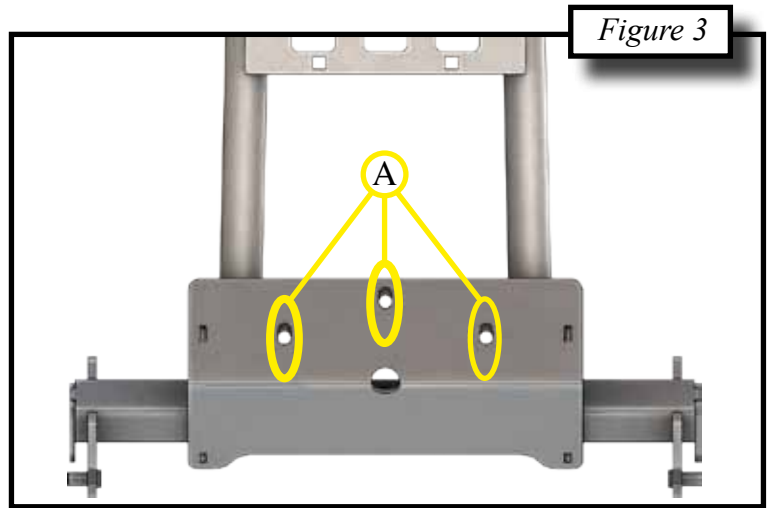


Figure 3

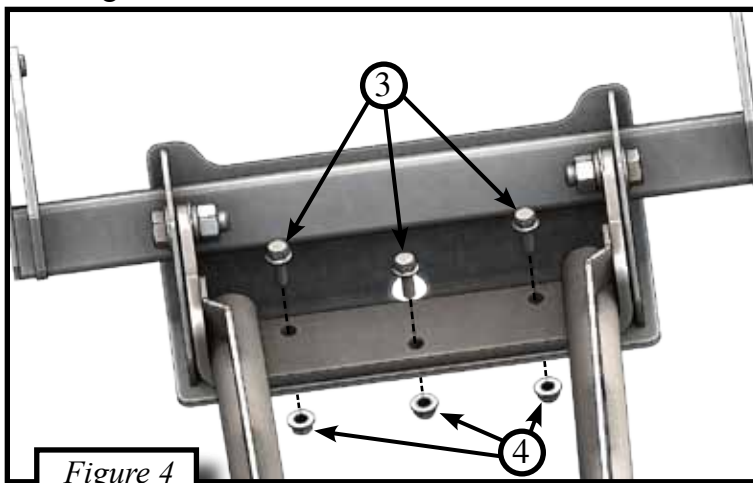


Figure 4

INSTALLATION CONTINUED:

- Place Glacier adapter catch (2) over pin on plow mount bracket, slide washer (9) over pin and insert cotter pin (10) through pin as shown in *Figure 5*. Repeat step on other side.
- Using OEM mounting pins shown in *Figure 7*, slide plow mount into position lining up with pins, swing latch (2) down and insert 3/8" safety pin (11) as shown in *Figure 6*.

