

Can-Am Maverick X3

Plow Mount

!!NOTE: Disregard instructions from mount #105555!!

Plow Mount

PART # 105985

Kit Components:

Item #	Qty.	Description
1	1	Plow Mount (105555)
2	2	2" Lift Kit (105700)

!ATTENTION! - This kit requires the KFI winch mount (101520) to be previously installed before starting.

INSTALLATION INSTRUCTIONS:

Note: Not all hardware will be used in installing the plow mount.

1. Place the plow mount (105555) under the KFI winch mount (101520). Shown in [Figure 2](#).
2. Bolt up the plow mount using the two M12 x 30mm hex bolts and M12 hardware into the lower set of holes. (HK-186)
3. Use the two M10-1.25 X 30mm hex bolts and M10 hardware in the top set of holes.
4. Tighten down all four mounting bolts.
5. Install the 2" plow lift kit. See (105700) manual included. Lift shown in [Figure 3](#).
6. See UTV Plow Tube System instruction manual for tube attachment.

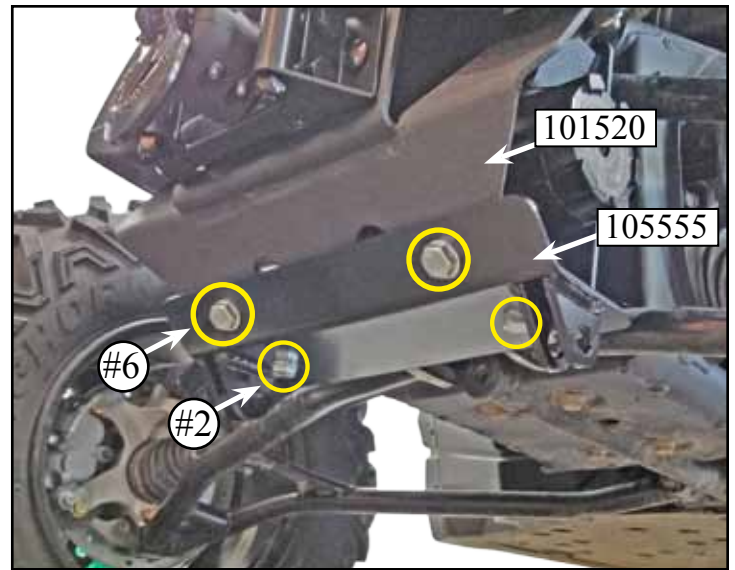
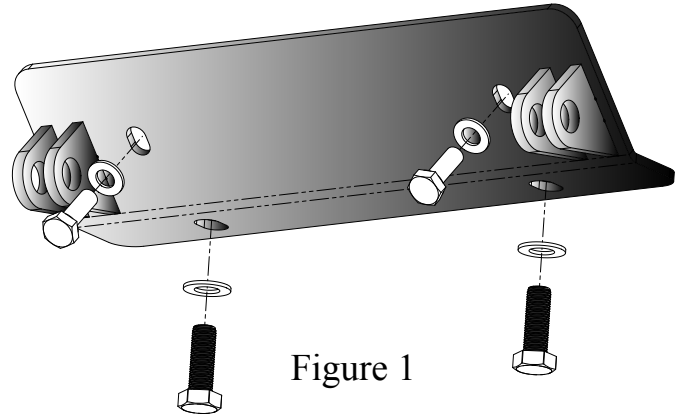


Figure 2

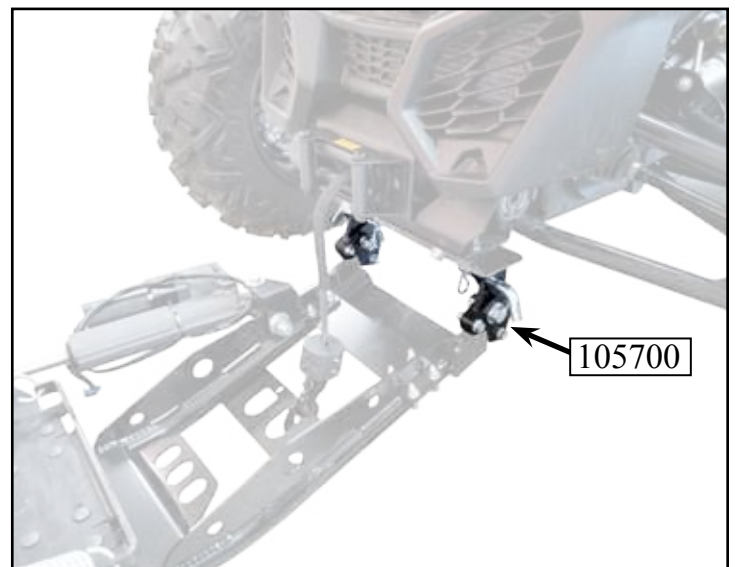


Figure 3

