



The KFI plow system, including the blade and push tube, is designed to be used with ATV and UTV applications. Due to the size and weight of this machine, failing to follow the below safety rules will greatly increase the chances of damaging your plow system, machine and/or winch (if applicable). KFI will not be liable for any bending of materials as it is not caused by imperfections or defects in the material but by failing to follow these safety rules:

- Do not exceed 5 MPH, even with the blade raised.
- Make sure that all nuts and bolts are tightened per installation instructions.
- Never operate this KFI product with missing or damaged parts.
- Drive slowly over bumpy and rough terrain, driving fast could cause damage to winch (if applicable) or plow.
- Never raise the plow above point of contact as it could cause damage to machine or winch (if applicable).
- Always perform regular inspections and maintenance on plow system and hardware before use.
- Operate with extreme caution on slopes, steep grades, and rough terrain.
- Be aware of any possible hidden objects under the snow.
- Do not ram the blade into the snow pile.

Kappers Fabricating, Inc. (KFI) warrants to the original purchaser that the product is free from defects in materials and workmanship for a period of two (2) years from the original date of purchase. We will repair or replace, at our discretion, parts found to be defective due to materials or workmanship. This warranty is subject to the following limitations and exclusions:

Commercial Use: The warranty period for any product used for commercial or rental is limited to ninety (90) days from the date of original purchase.

Limitations: This warranty applies only to products which have been properly assembled, adjusted, and operated in accordance with the instructions contained within this manual. This warranty does not apply to any product of Kappers Fabricating, Inc. that has been subject to alteration, misuse, abuse, improper assembly or installation, or shipping damage.

Exclusions: Excluded from this warranty are normal wear, normal adjustments, and normal maintenance.

THIS WARRANTY DOES NOT APPLY TO ANY INCIDENTAL OR CONSEQUENTIAL DAMAGES AND ANY IMPLIED WARRANTIES ARE LIMITED TO THE SAME TIME PERIODS STATED HEREIN FOR ALL EXPRESSED WARRANTIES.

THE WARRANTY SET FORTH ABOVE IS THE ONLY WARRANTY. THERE ARE NO OTHER WARRANTIES, EXPRESS OR IMPLIED, INCLUDING BUT NOT LIMITED TO IMPLIED WARRANTIES OF MERCHANTABILITY OR FITNESS FOR A PARTICULAR PURPOSE.

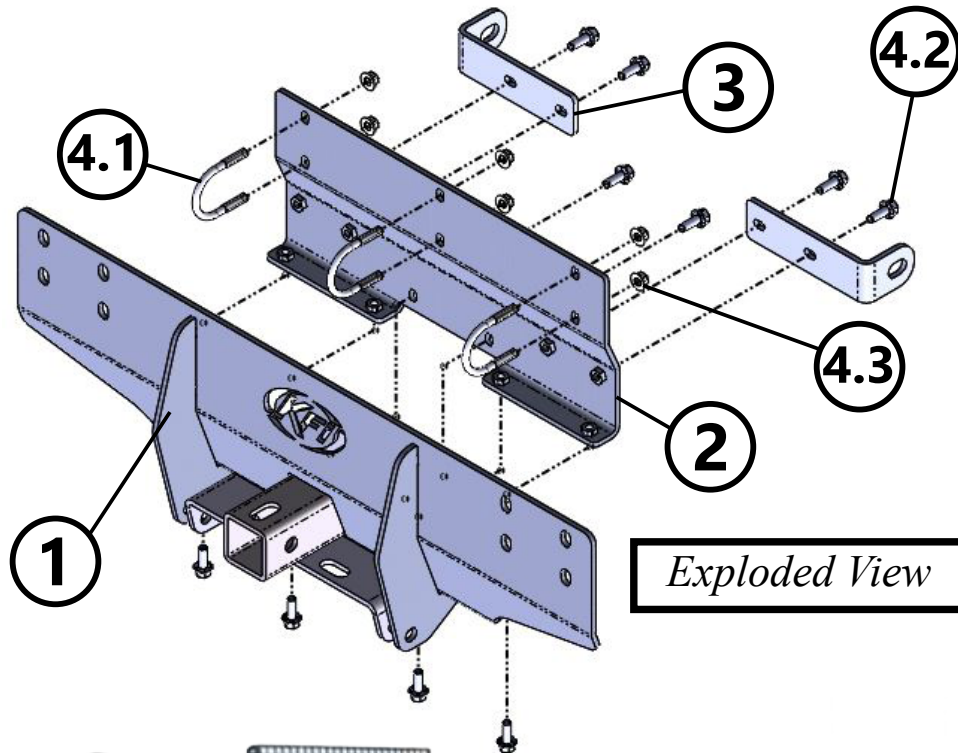
MAHINDRA ROXOR

Plow Mount

PART # 106005

Kit Components:

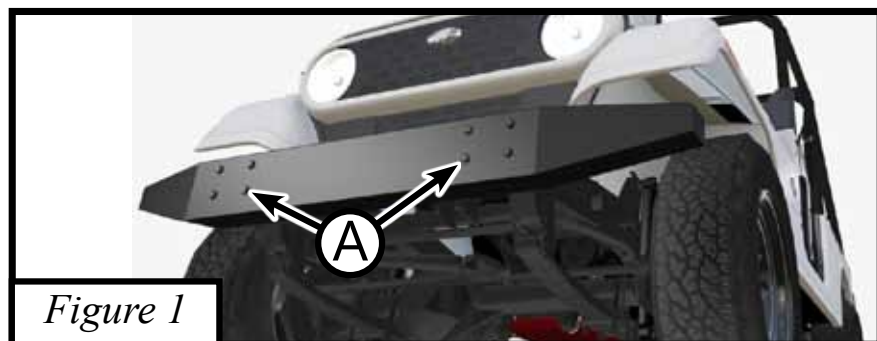
Item #	Qty.	Description
1	1	PLOW MOUNT
2	1	REAR PLATE
3	2	SHACKLE BRACKET
4	1	HK-352
4.1	3	3/8" X 2.00 X 3.00 U-BOLT
4.2	10	3/8" X 1.00 HEX BOLT FLANGE
4.3	6	3/8" HEX NUT FLANGE



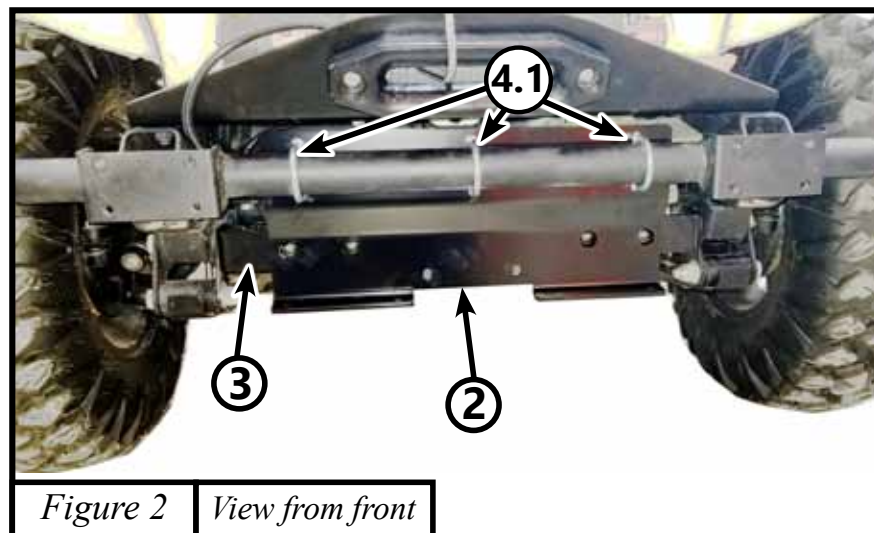
INSTALLATION INSTRUCTIONS:

Note: Make sure all of the hardware needed to complete this mount is in the package. Read through and understand the instructions before installing.

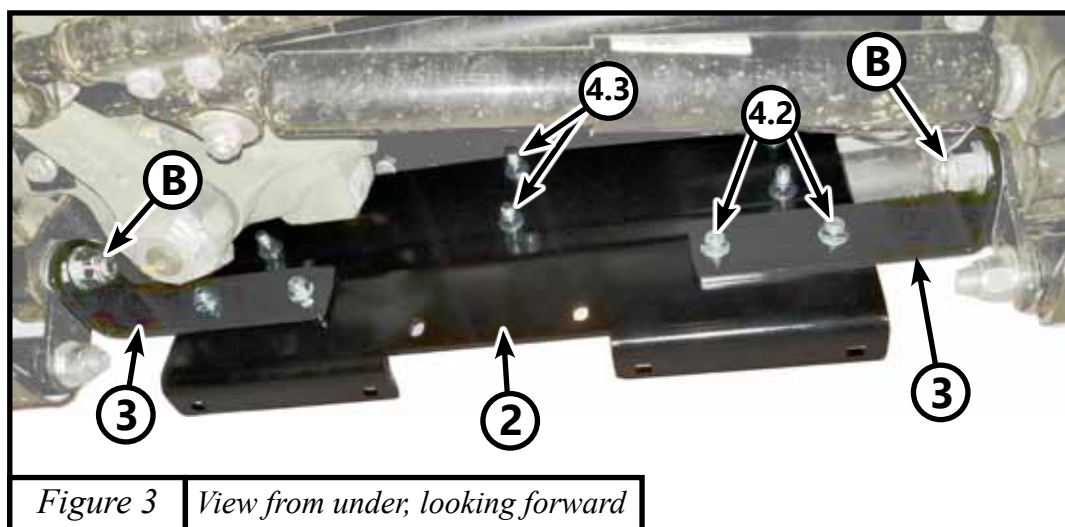
1. Temporarily remove 8 bolts (A) shown in **Figure 1** and set front bumper aside to reinstall in a later step. Note: Some bumpers may only have 4 bolts shown in **Figure 1**.



2. Place rear plate (2) behind tube and loosely install with three 3/8" U-Bolts and 3/8" Nuts (4.1,4.3) as shown in **Figure 2**



3. **Note: Do one side at a time.** Remove nut (B) and loosely install shackle bracket (3) with nut just removed. Install two 3/8" x 1.00 Hex Bolts (4.2) through shackle bracket (3) into rear plate (2) as shown **Figure 3**. Repeat step 3 on other side.



4. Set front bumper (removed from Step 1) in place along with plow mount (1) and loosely install with bumper bolts previously removed in Step 1 as shown in *Figure 4*.
5. Using six (4.2) 3/8" x 1.00 Hex Bolts install through plow mount (1) into rear plate (2) as shown in *Figure 5*
6. Tighten all hardware from Steps 1 - 5 evenly.

