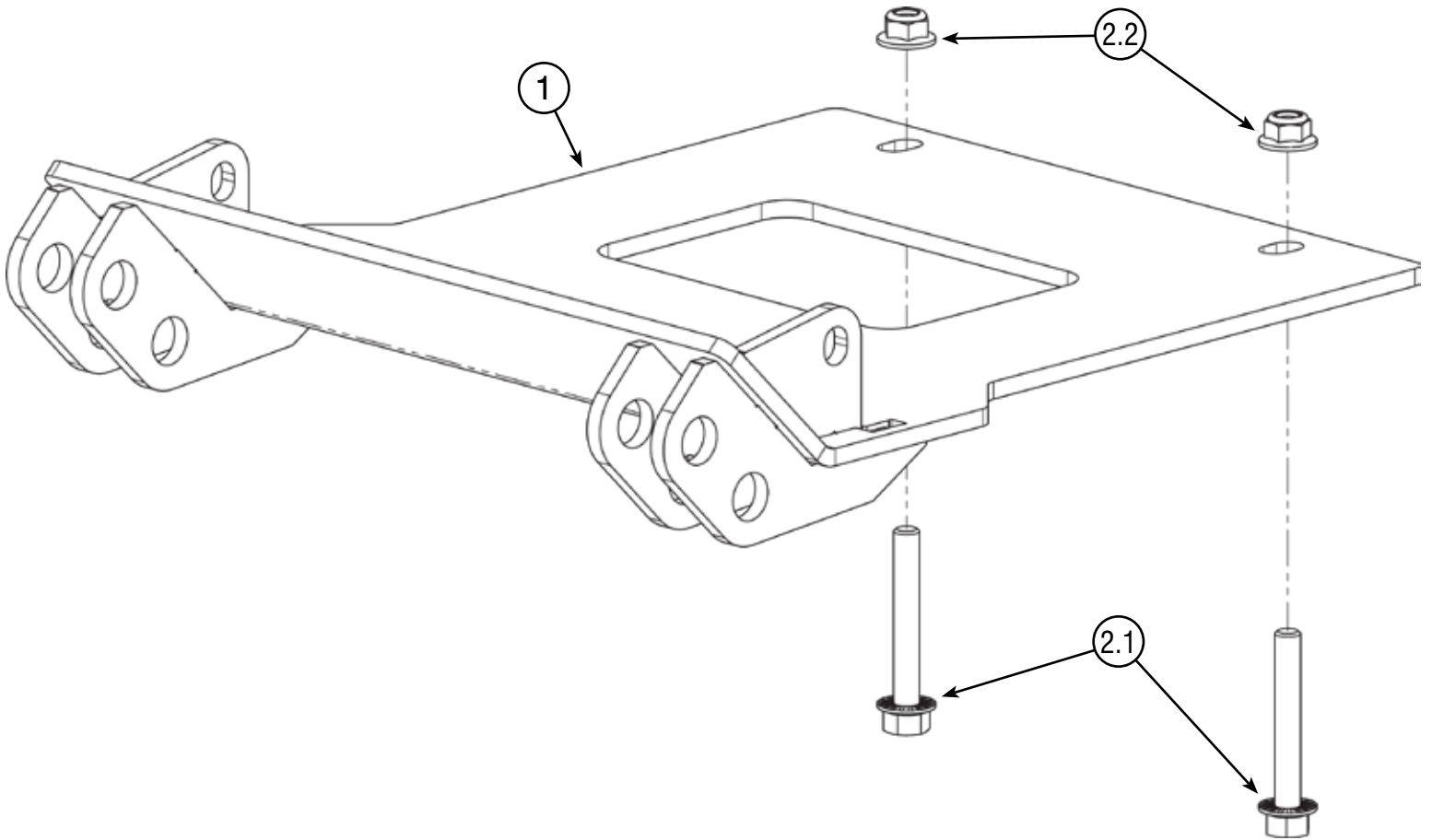


ODES WORKCROSS 1000

Plow Mount

PART #106635 Rev A



Kit Components:		
Item #	Qty.	Description
1	1	Plow Mount (106636)
2	1	Hardware Kit HK-431
2.1	2	3/8"-16 X 2.50" Hex Bolt Flange Gr5 Serrated
2.2	2	3/8"-16 Hex Nut Flange Nylock Gr5



INSTALLATION INSTRUCTIONS

Notice

Torque bolts to ANSI Specs (or OEM specs if applicable), unless otherwise stated. After the first use and at the start of each season, check torque.

Note: Make sure all hardware needed to complete this mount is in the package. Thoroughly read through and understand the instructions before installing.

Installation Instructions

1. Take out bolts (A) from both sides of the bumper and set them aside for reuse. See **Figure 1**.
2. Remove the front torx screws (B) from the center skid plate (C) on the underside of the machine. Discard these screws as they will not be reused. See **Figure 2**.
3. Using a 13/32" drill bit, carefully drill through the tapped holes (D) and through the top side of the square tube, ensuring the drill bit is straight. See **Figure 3**.
4. Hold the Plow Mount (1) in place, then loosely reinstall bolts (A) into the bumper sides. See **Figures 4 and 5**.
5. Secure the rear of the plow mount (1), ensuring the skid plate (C) is positioned between the frame and the plow mount. Install the rear bolts (2.1) by passing them through the plow mount, skid plate, and square tube on the frame, then secure them with the nuts (2.2) on top. See **Figures 5 and 6**.
6. Once all hardware is started, tighten all hardware evenly.

