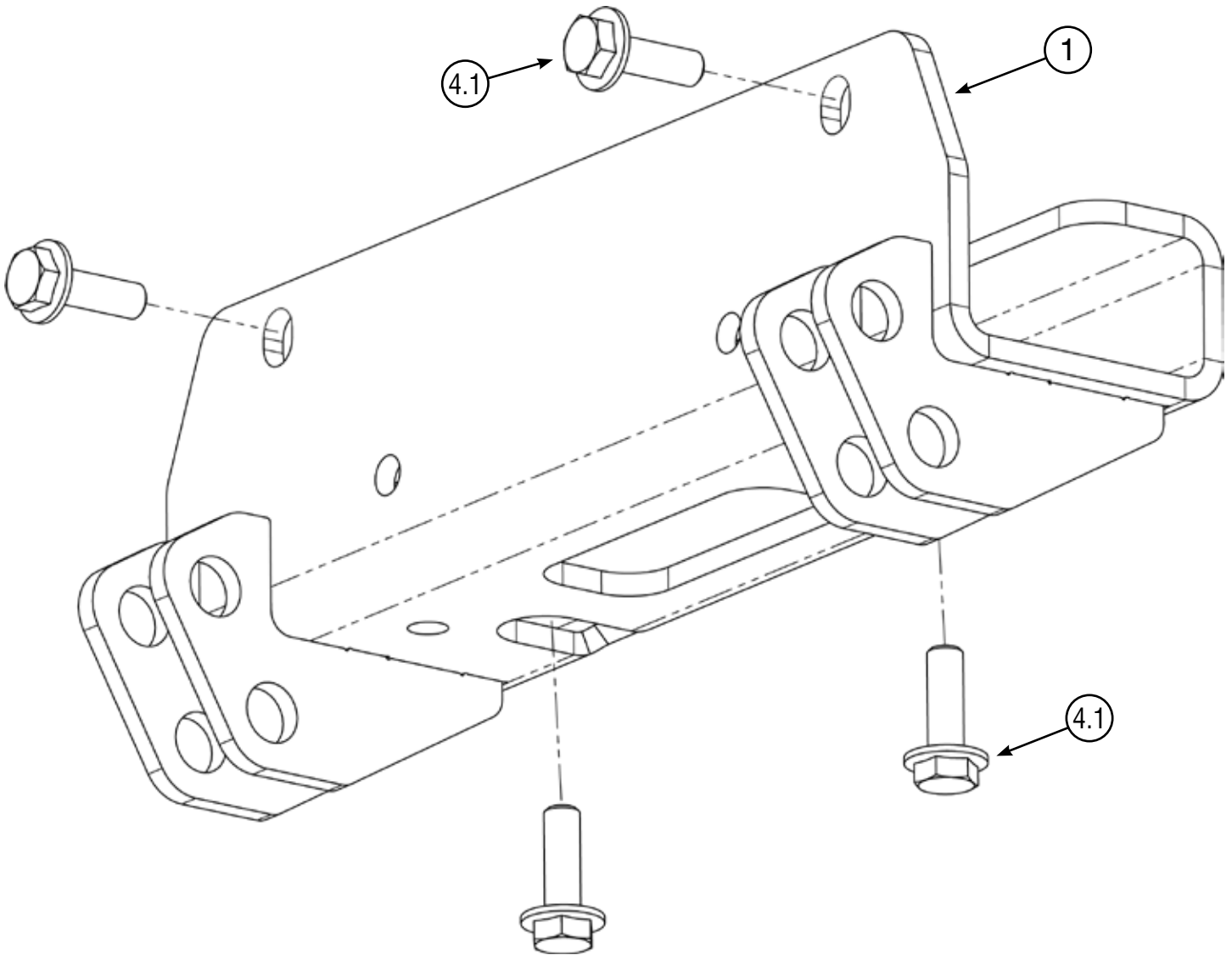


# CFMOTO UFORCE U10 PRO

Plow Mount

PART #106645

Rev. A



Kit Components:		
Item #	Qty.	Description
1	1	Plow Mount (106646)
2	1	Hardware Kit (HK-350)
2.1	4	M10-1.25 X 30 Hex BOLT FLANGE



# INSTALLATION INSTRUCTIONS

## Notice

Torque bolts to ANSI Specs (or OEM specs if applicable), unless otherwise stated. After the first use and at the start of each season, check torque.

**Note:** Make sure all hardware needed to complete this mount is in the package. Thoroughly read through and understand the instructions before installing.

## Installation Instructions

1. Locate and remove bolts (A) on the lower part of the front bumper. Locate and loosen top bolts (B) until the bumper moves freely. Shown in **Figure 1**.
2. Place the plow mount (1) on the lower part of the front bumper. Using the new included hardware, loosely install bolts (2.1) as shown in **Figures 2 and 3**.
3. Loosely install the remaining bolts (2.1) through the bottom of the plow mount as seen in **Figures 3 and 4**.
4. Once all hardware is started, tighten all bolts (2.1) evenly to 50 ft/lbs. See **Figure 4**.
5. Retighten top bolts (B) from Step 1. See **Figure 1**.

