

ATV PLOW MOUNT

Polaris 2001-Older

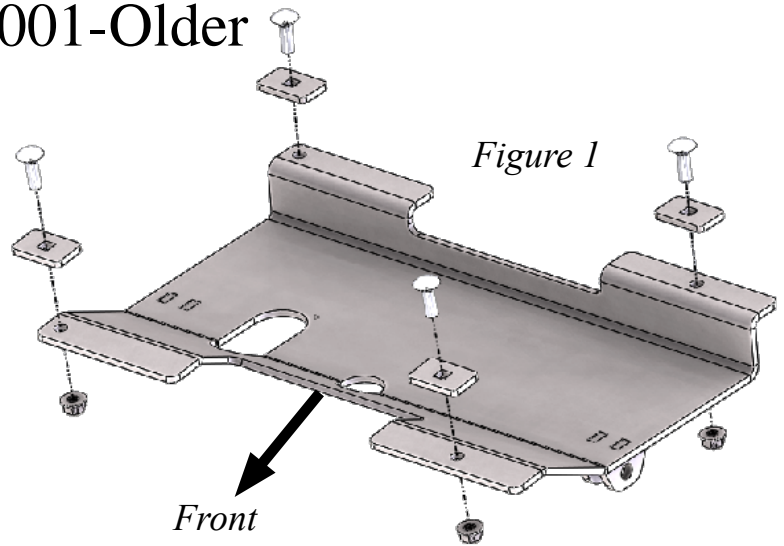
Plow Mount

PART # 105190

Hardware Kit: HK-165

Kit Components:

Qty.	Part Description
1.....	Plow Mount Plate
4.....	Bolt Retainer
4.....	5/16"-18 X 1.00" Carriage Bolt
4.....	5/16"-18 Flanged Nut Nylock



INSTALLATION INSTRUCTIONS:

1. Place the four 5/16" x 1" carriage bolts on the four bolt retainers.
2. Drop the bolt with the retainer through the four rectangular slots on either side of the ATV just inside of the footrest and outside of the main frame. Shown in (Figures 2&3).
3. Then attach the mount plate to the bottom of the frame making sure that the four holes on the plate match up with the four bolts coming out the bottom.
4. Place the four 5/16"-18 Flanged Nuts onto the carriage bolts. **(DO NOT TIGHTEN DOWN AT THIS TIME).**
5. Check to make sure your mounting plate is centered under the frame between the front tires. When centered tighten the nuts down.

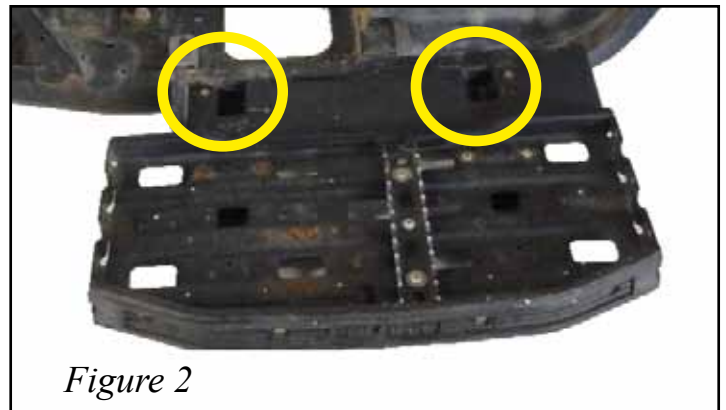


Figure 2

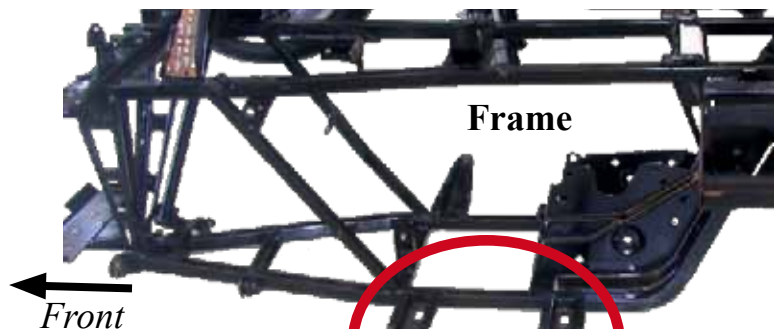


Figure 3

