

# Kawasaki Mule 4010 Plow Mount

Plow Mount

PART # 105365

Hardware Kit # 129

## Kit Components:

<u>Qty.</u>	<u>Part Description</u>
1.....	Plow Mount Plate
4.....	3/8"-16 X 1" Hex Flanged Bolt
2.....	3/8"-16 X 1 1/4" Hex Flanged Bolt
6.....	3/8"-16 Hex Flanged Nut, Nylock
1.....	12" Soft Strap

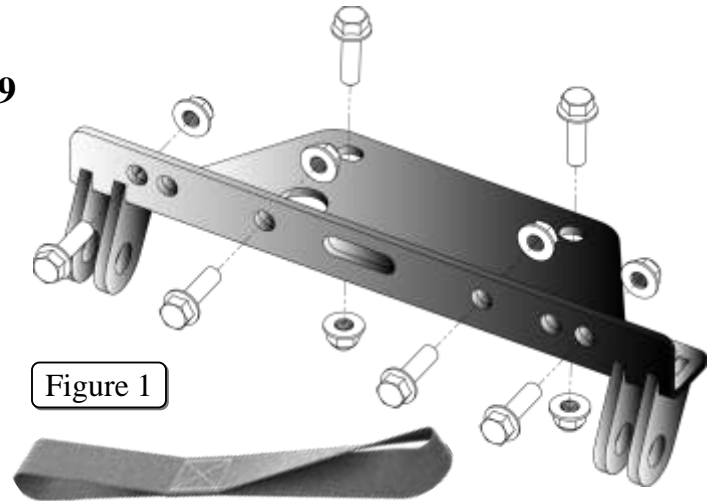


Figure 1

## INSTALLATION INSTRUCTIONS:

1. Remove 4 bumper bolts (A) as shown in Figure 2.
2. Remove two bolts (B) holding on front skid plate as shown in Figure 2 & 3. *These will be replaced with bolts from the hardware kit.*
3. Hold plate up to machine making sure that the back side of the mount goes over the top of the rear channel as shown in Figure 4.
4. Install mount plate using 1" bolts (C) and nuts for the front of the mount and 1 1/4" bolts (D) and nuts for rear portion as shown in Figure 1 & 5.

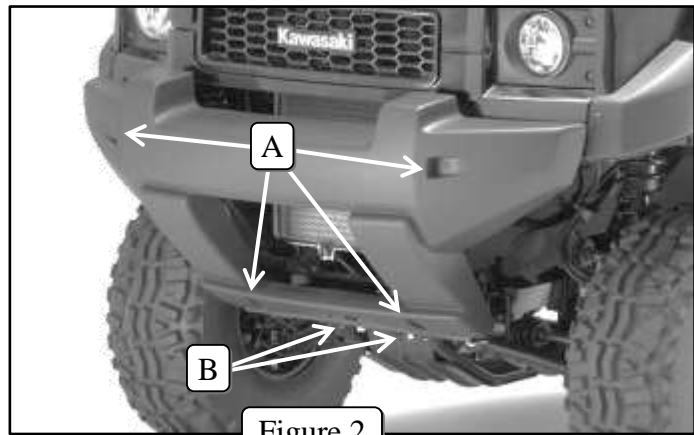


Figure 2

### *Note:*

*The rear bolts will also go through the skid plate to sandwich all components together.*

5. Tighten down all nuts.
6. See UTV Plow Tube System instruction manual for tube attachment.

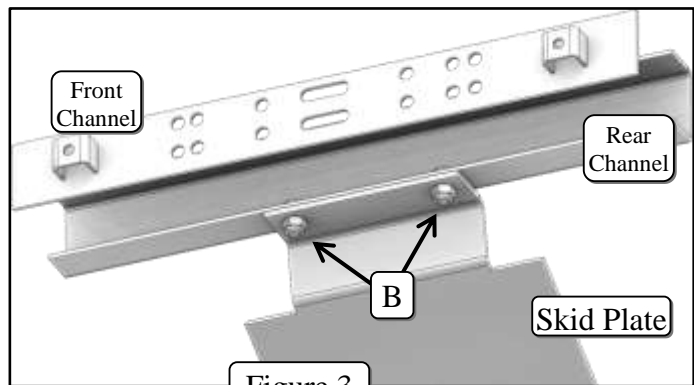


Figure 3

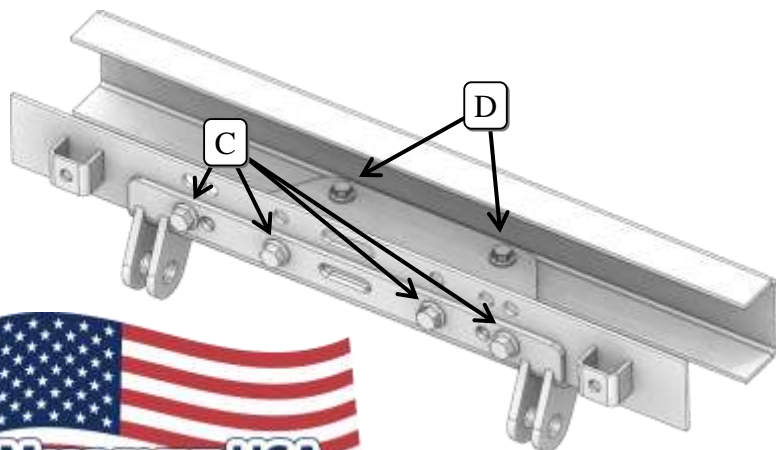


Figure 5

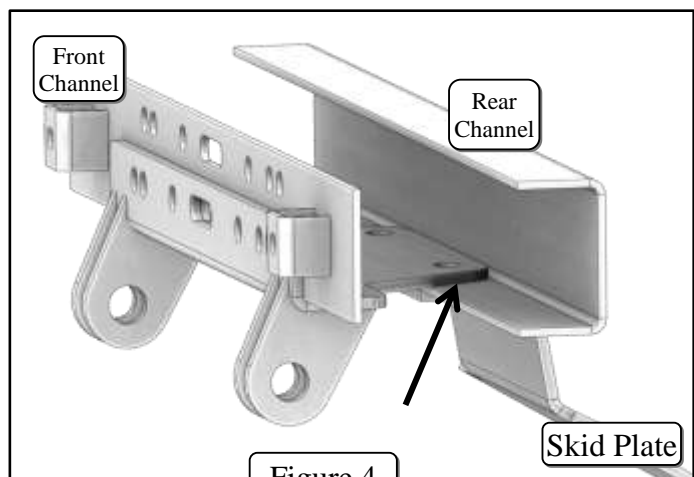


Figure 4

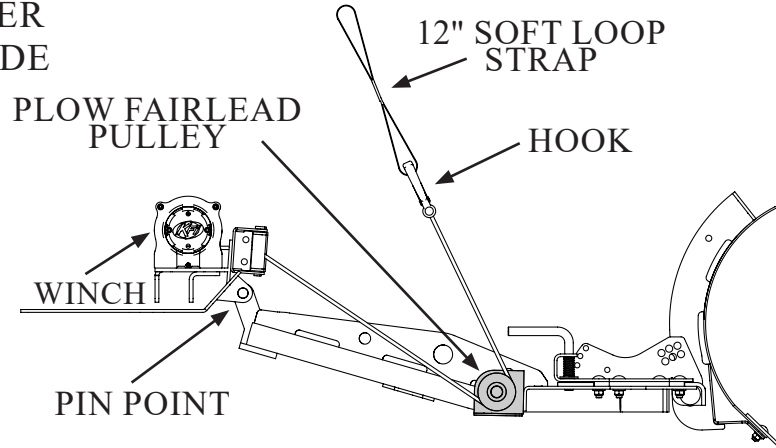
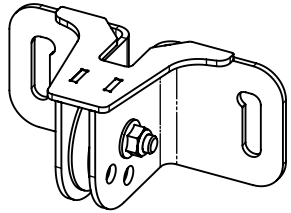




# THIS MOUNT RECOMMENDS A PLOW PULLEY

## SYNTHETIC ROPE PLOW FAIRLEAD PULLEY

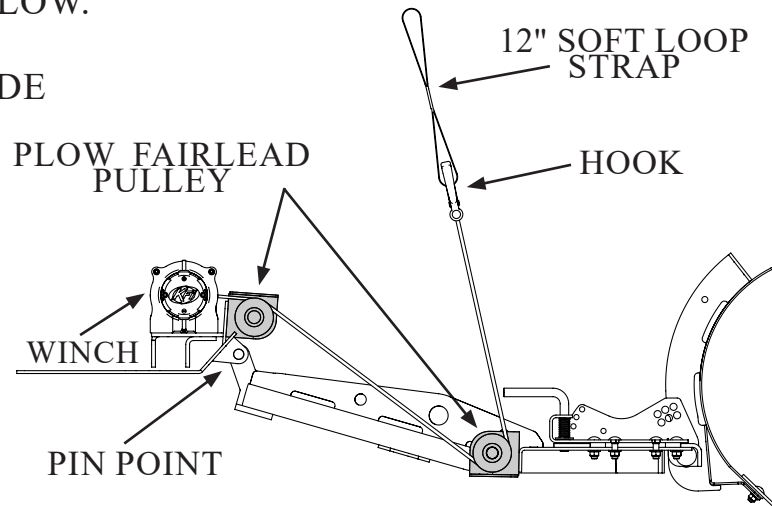
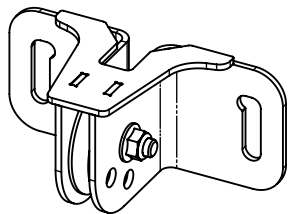
- ALUMINUM ROLLER
- STANDARD OR WIDE



----- OR -----

## STEEL CABLE PLOW FAIRLEAD PULLEY

- RECOMMEND A PULLEY AT THE WINCH AS WELL AS PUSH TUBE.
- VIEW EXAMPLE BELOW.
- STEEL ROLLER
- STANDARD OR WIDE



12" SOFT LOOP STRAP WRAPS AROUND BUMPER OR SOLID ANCHOR POINT THE ABOVE PULLEY.

## WHY USE A PULLEY?

WHEN THE WINCH FAIRLEAD AND PLOW PIN POINT ARE CLOSE TO EACH OTHER, IT CREATES A SHALLOW LIFTING ANGLE. BY ADDING A PULLEY, YOU ARE CHANGING THE WINCH ANGLE TO A MORE VERTICAL LIFTING POSITION. THIS WILL PROVIDE LESS STRAIN ON THE WINCH AND ENTIRE PLOW SYSTEM.

## POSSIBLE POSITIONS

*\*STANDARD FAIRLEAD PULLEY REQUIRED FOR ALL PUSH TUBE APPLICATIONS\**

