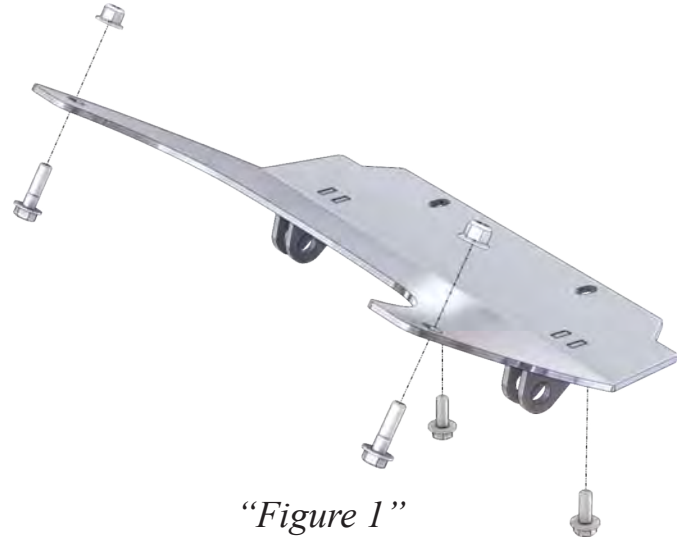


JOHN DEERE GATOR XUV

Plow Mount PART # 105395
 Hardware Kit: HK-132

Kit Components:

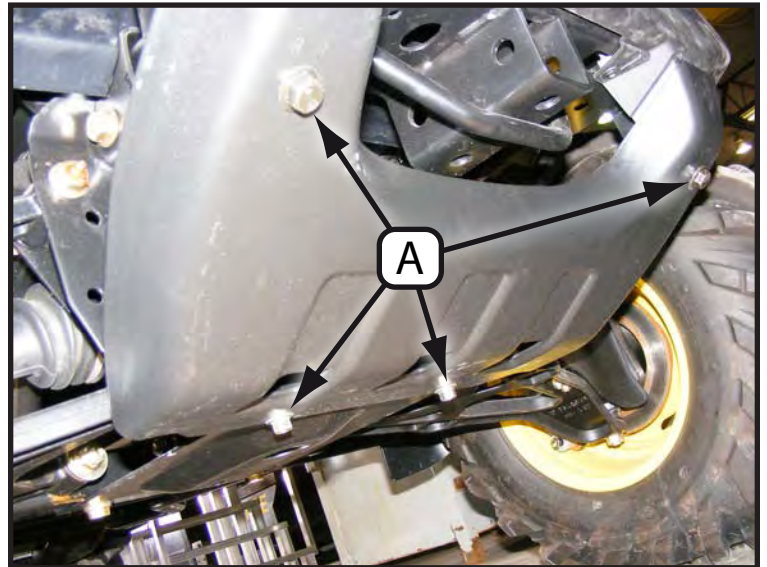
Qty.	Part Description
1.....	Plow Mount Plate
2.....	M10-1.5mm x 30mm Bolt
2.....	M10-1.5mm x 25mm Bolt
2.....	M10-1.5mm Nylock Flanged Nut



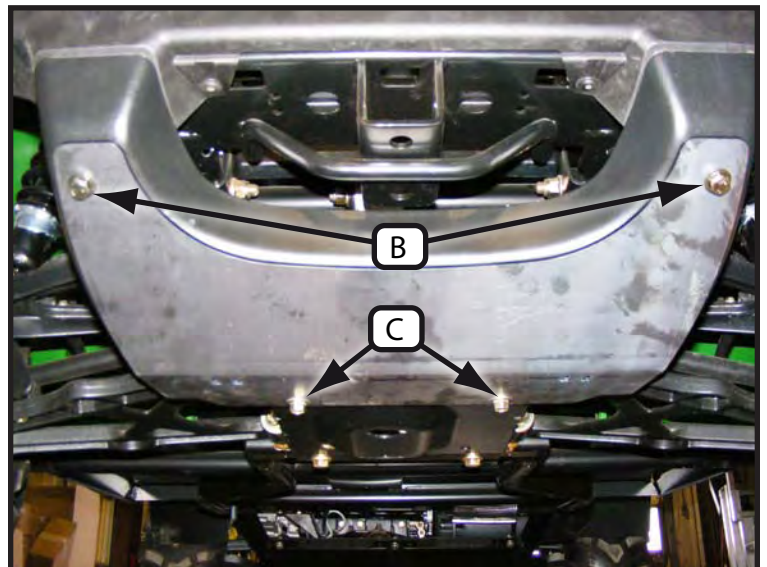
“Figure 1”

INSTALLATION INSTRUCTIONS:

1. Remove bolts (A) on lower front panel as shown in Figure 2. Panel will come off.
2. Place mount plate over lower front panel and reinstall panel and mount plate as shown in Figure 3. Use the 30mm bolts (B) and nuts for the upper part of the panel and the 25mm bolts (C) for the underside of the panel.
3. Tighten down all bolts.
4. See UTV Plow Tube System instruction manual for tube attachment.



“Figure 2” Front of UTV



“Figure 3” Mount Plate Install

