

Honda Rancher/Foreman

Plow Mount

PART # 105800 Rev D

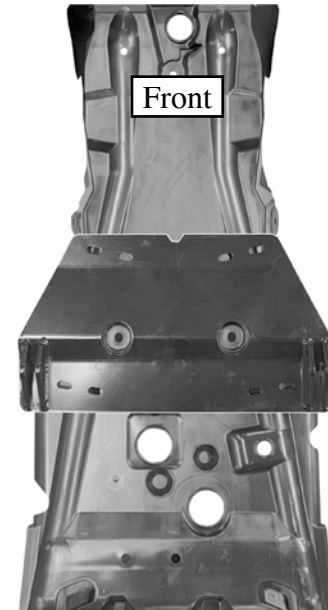
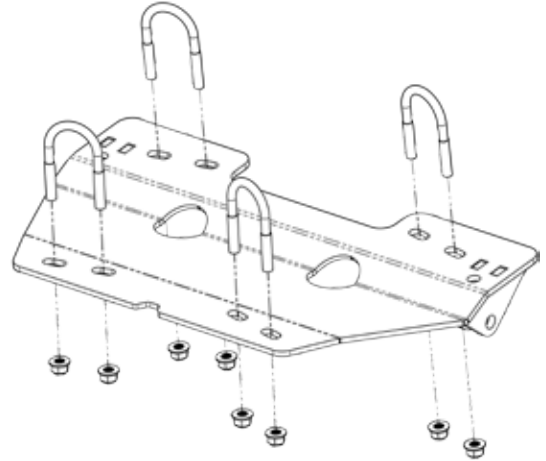
Hardware Kit: HK-414

Kit Components:

Qty.	Part Description
1.....	Plow Mount Plate
4.....	5/16-18 x 1-3/8" x 2.5" x 1-1/4" Thread U-Bolt
8.....	5/16-18 Hex Flange Lock Nut

Instructions:

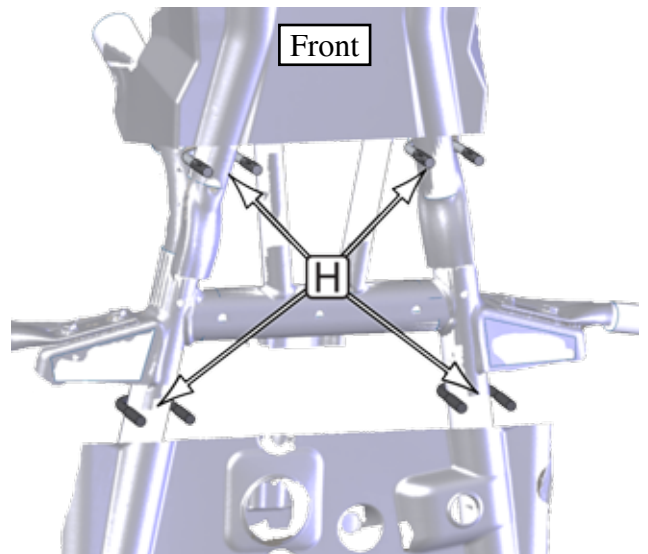
1. Place mount plate up to the machine using the contour of the skid plate and the bend in the mount for alignment. Mark each spot on the skid plate where the slots line up on either side of the frame (see figure 2).
2. Drill holes in the skid plate (as marked in step 1) to allow the supplied U-bolts to pass around the the frame tube and through the skid plate.
3. Place the four U-Bolts (H) supplied with your mount hardware kit on the machine in the locations shown in Figure 3.
4. The two front U-Bolts will go through the triangular section in the machine frame. Shown in Figure 4.
5. Install mount plate loosely to frame using U-Bolts and flanged lock nuts.
6. Tighten down all nuts making sure that the mount stays centered on the machine. (Make sure U-Bolt ends are even.)
7. See ATV Plow Tube System instruction manual for tube attachment.



"Figure 2" Mount location



"Figure 4" U-Bolt Location Side View



"Figure 3" U-Bolt Locations
Section of skidplate removed from image for instructional purposes only

