

Kawasaki Mule SX

Plow Mount

PART # 105875

Hardware Kit: HK-175

PLOW MOUNT

Kit Components:

Item #	Qty.	Description
1	1	Plow Mount
2	1	Bolt Plate
3	2	5/16-18 X 1-1/4 X 2 X 1 U-Bolt
4	4	5/16-18 Hex Flange Nylock Nut
5	4	3/8-16 X 1" Hex Flange Bolt
6	4	3/8-16 Hex Flange Nylock Nut
7	1	12" Soft Strap

INSTALLATION INSTRUCTIONS:

Note: Make sure all of the hardware needed to complete this mount are in the package. Read through and understand the instructions before installing.

1. Set the bolt plate (Item #2) behind the front bumper. Shown in Figure 1 & 2.
2. Attach the mount plate (Item #1) to the bolt plate using the four 3/8-16 X 1" Hex Flange Bolts (Item #5). Shown in Figure 3.
3. Hold the rear of the plow mount (Item #1) up to the skid plate on the bottom. Shown in Figure 4.
4. Use the plow mount as a template and drill out the two inner holes on the skid plate. *If you do not want to drill out your skid plate you can remove it.* Shown in Figure 3.
5. Hang the U-Bolts (Item #3) over the frame tubing and through the plow mount holes. Shown in Figure 5.
6. Evenly tighten the 5/16-18 Hex Flange Nylock Nuts (Item #4) to the U-bolts. Shown in Figure 5.
7. See ATV Plow Tube System instruction manual for tube attachment.

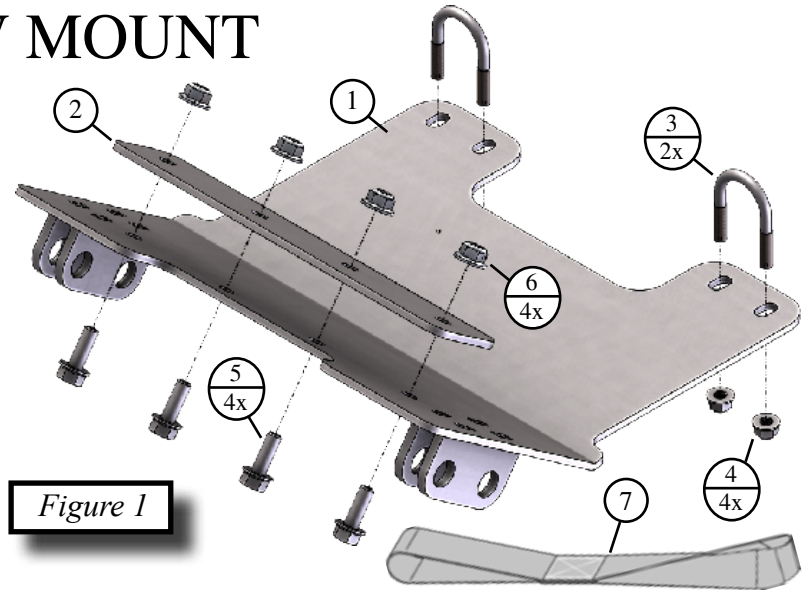


Figure 1



Figure 2

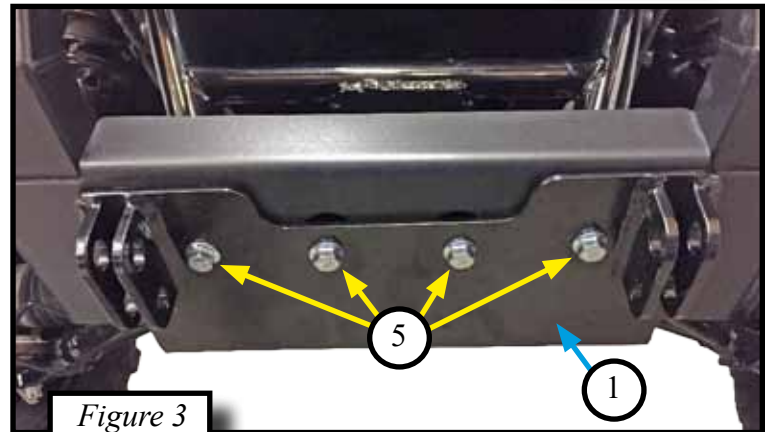


Figure 3

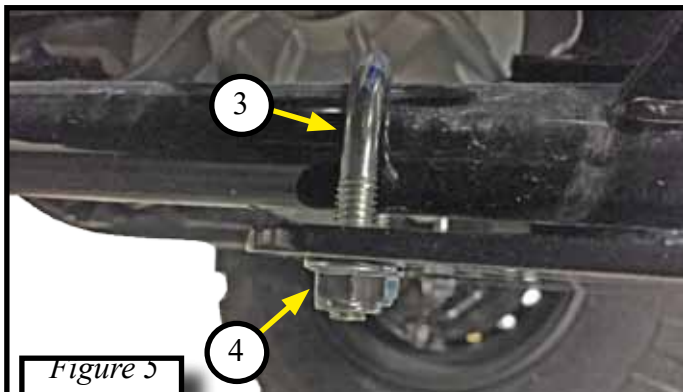


Figure 5

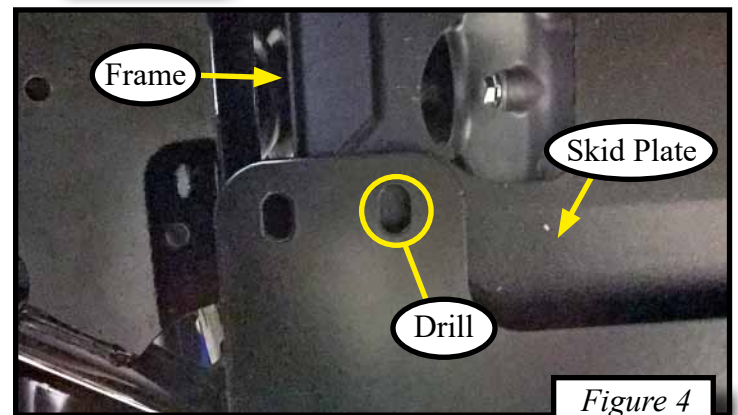


Figure 4

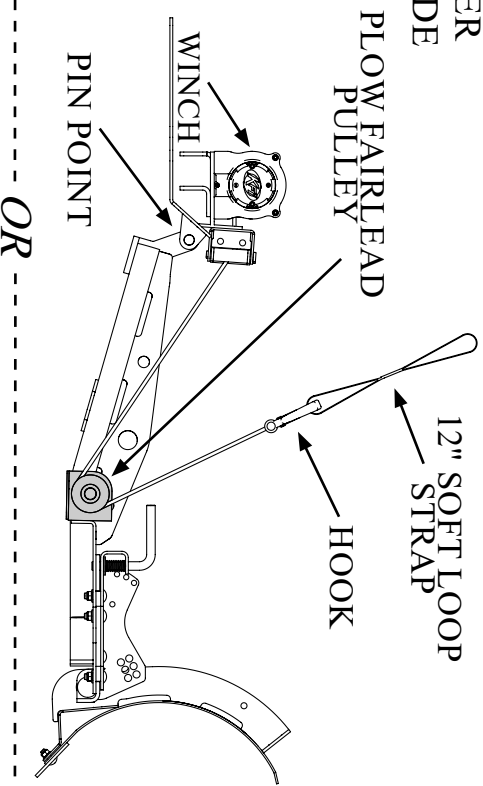
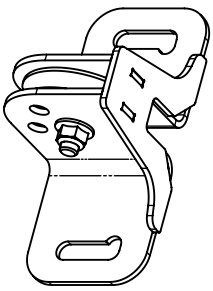




THIS MOUNT RECOMMENDS A PLOW PULLEY

SYNTHETIC ROPE PLOW FAIRLEAD PULLEY

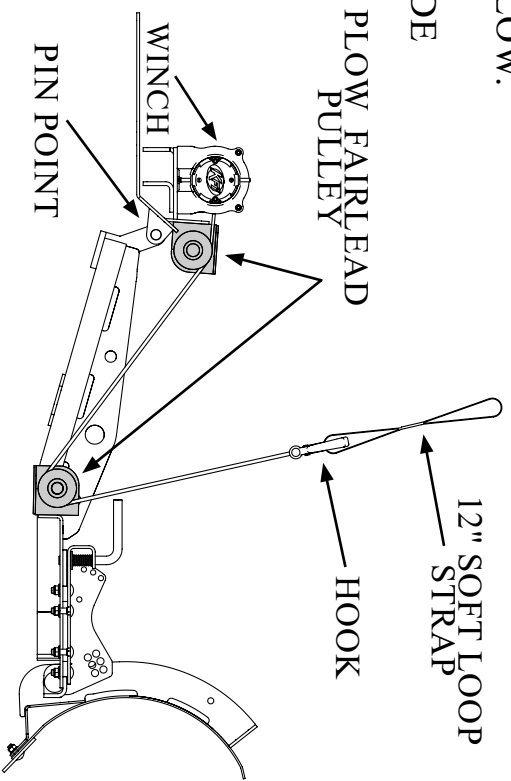
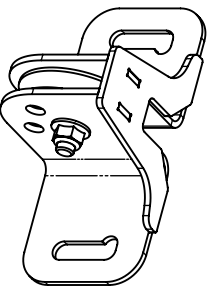
- ALUMINUM ROLLER
- STANDARD OR WIDE



OR

STEEL CABLE PLOW FAIRLEAD PULLEY

- RECOMMEND A PULLEY AT THE WINCH AS WELL AS PUSH TUBE.
- VIEW EXAMPLE BELOW.
- STEEL ROLLER
- STANDARD OR WIDE

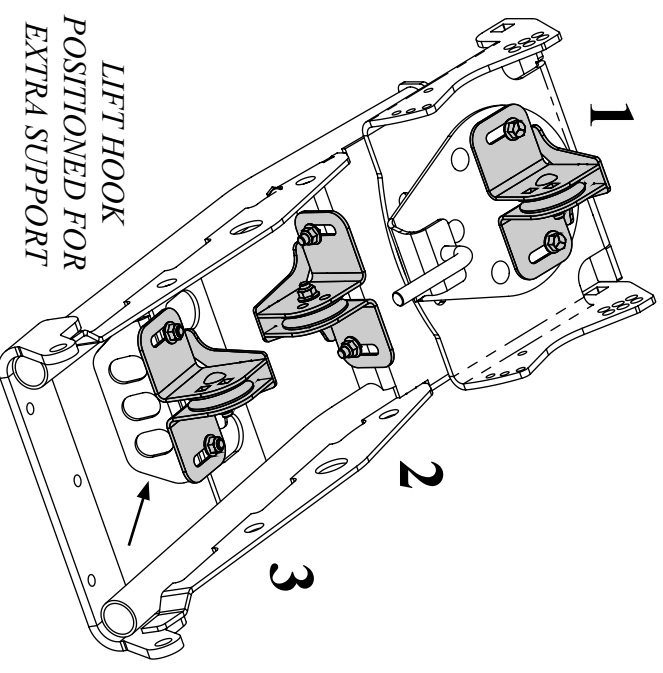


WHY USE A PULLEY?

WHEN THE WINCH FAIRLEAD AND PLOW PIN POINT ARE CLOSE TO EACH OTHER, IT CREATES A SHALLOW LIFTING ANGLE. BY ADDING A PULLEY, YOU ARE CHANGING THE WINCH ANGLE TO A MORE VERTICAL LIFTING POSITION. THIS WILL PROVIDE LESS STRAIN ON THE WINCH AND ENTIRE PLOW SYSTEM.

POSSIBLE POSITIONS

STANDARD FAIRLEAD PULLEY REQUIRED FOR ALL PUSH TUBE APPLICATIONS



12\"/>