

# Arctic Cat Prowler 500 / Kymco UXV 450i

## PLOW MOUNT

Plow Mount

PART # 105920

Hardware Kit: HK-170

Kit Components:

Item #	Qty.	Description
1	1	Plow Mount
2	2	Bolt Plate
3	1	Mount Channel
4	1	Hook Bracket
5	2	5/16"-18 x 1" Hex Flange Bolt
6	6	5/16"-18 Hex Flange Nylock Nut
7	2	5/16-18 x 1-1/4 x 2 x 1 U-Bolt
8	4	3/8-16 x 3-1/2" Hex Flange Bolt
9	2	3/8-16 Hex Flange Nylock Nut
10	2	3/8-16 x 1" Carriage Bolt
11	1	12" Soft Loop Strap

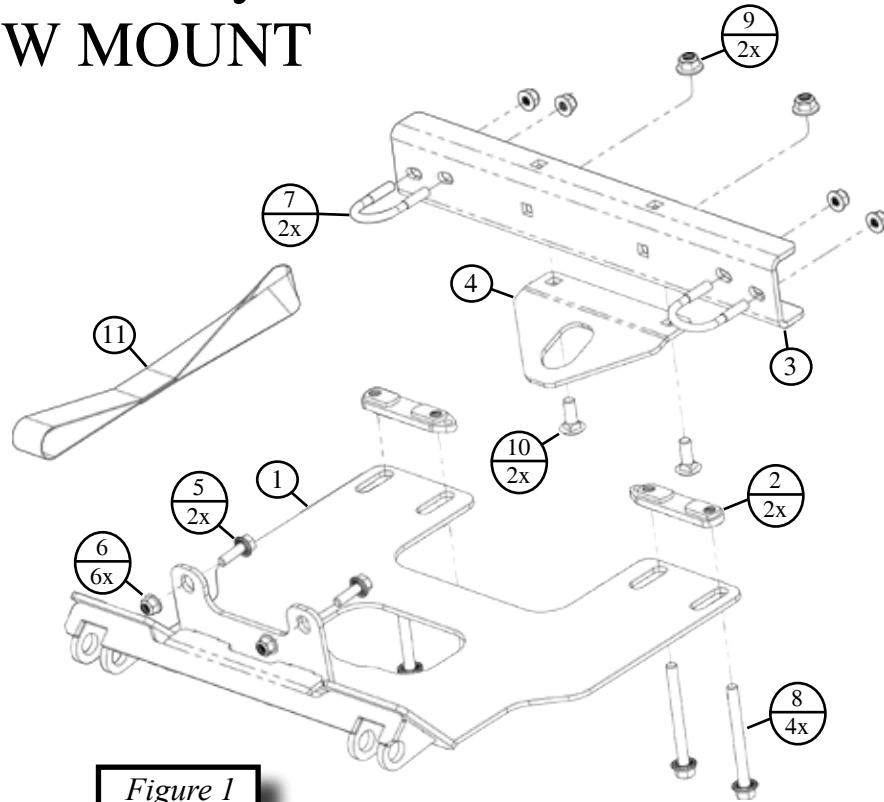


Figure 1

### INSTALLATION INSTRUCTIONS:

Note: Make sure all of the hardware needed to complete this mount is in the package. Read through and understand the instructions before installing. May require cutting!

REQUIRES INSTALLATION OF KFI WINCH MOUNT #101370 PRIOR TO PLOW MOUNT INSTALL.

1. Uninstall the plastic fascia by removing the 8 bolts (A) on the sides and front of the fascia. Shown in Figure 2.
2. Remove the two bolts holding the fairlead rollers to the winch mount #101370. These bolts are no longer needed.
3. Hold the front of the plow mount up to the fairlead bracket and bolt the fairlead rollers back up sandwiching the plow mount between the rollers and the bracket using the supplied bolts (Item #5).

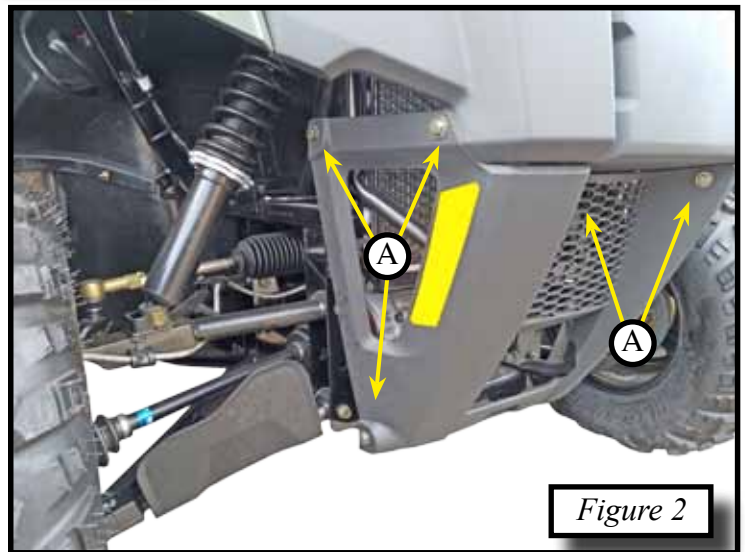


Figure 2

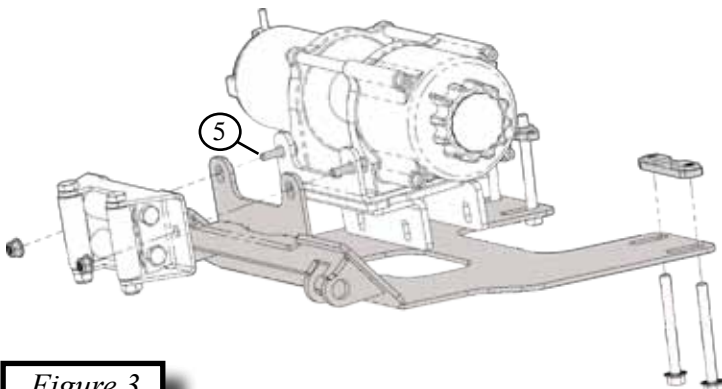


Figure 3

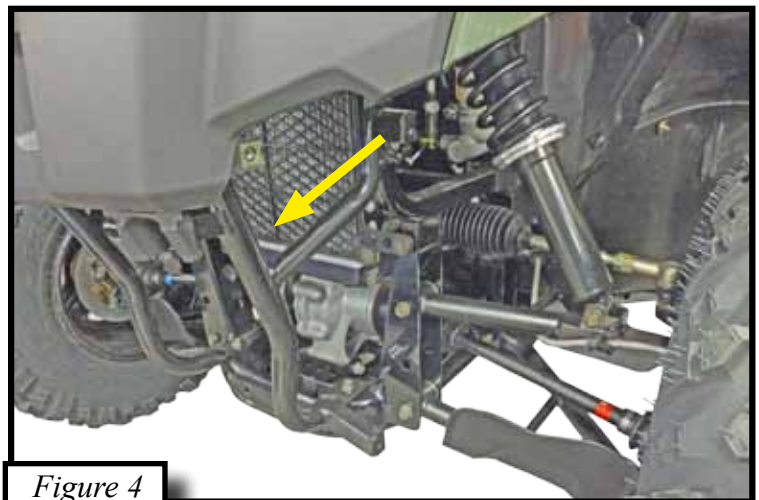


Figure 4

4. Bolt the rear of the plow mount up to the frame, setting the bolt plates (Item #2) on top of the square tubing. Then using the mount as a template drill the two inner holes through the skid plate to fit the bolts (Item #8) through. You can choose to remove your skid plate if you do not want to drill.

**STOP!! IF YOU HAVE AN ARCTIC CAT PROWLER CONTINUE THE DIRECTIONS. IF YOU HAVE A KYMCO 450i CONTINUE TO PAGE 3.**

5. Set mount channel (Item #3) into location shown in [Figures 4 & 5](#).
6. Attach the U-Bolts (Item #7) around the front frame tubing and into the mount channel. Tighten the U-bolts down evenly. Shown in [Figures 5, 6 & 7](#).
7. Attach the hook bracket (Item #4) to the bottom of the mounting channel using the two 3/8 carriage bolts. Shown in [Figures 6 & 7](#).

Note: If you choose to reinstall the bumper you will need to cut a small hole out of the plastic grill to make room for the hook bracket. Shown in [Figure 8](#). You do have the option to leave it off for the winter season.

8. Tighten all hardware down.
9. See ATV Plow Tube System instruction manual for tube attachment.

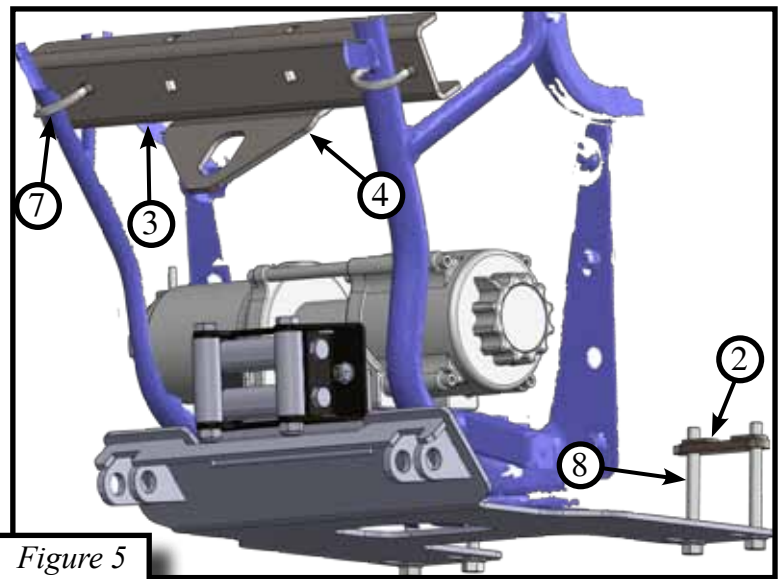


Figure 5

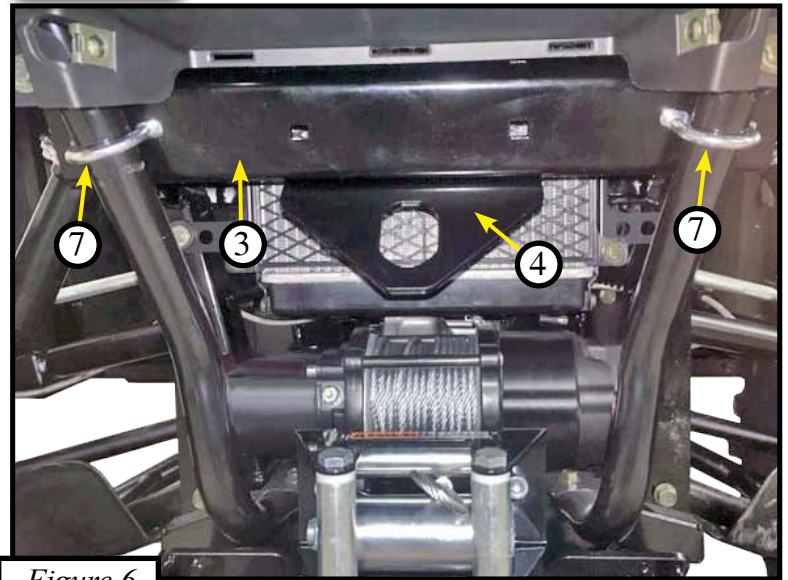


Figure 6

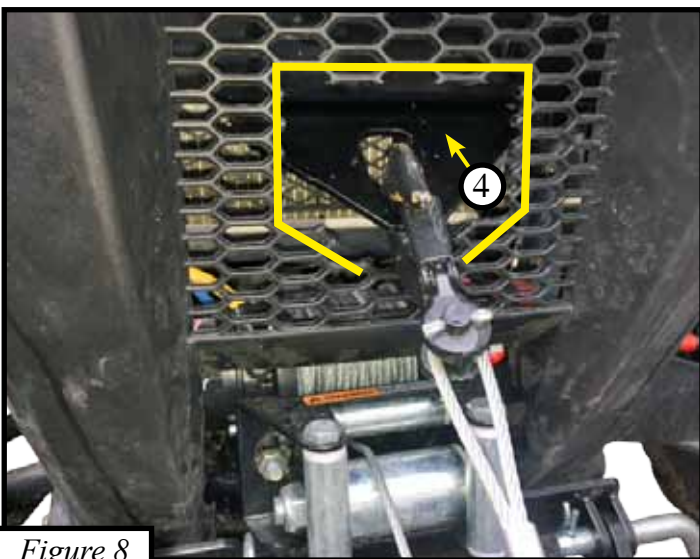


Figure 8

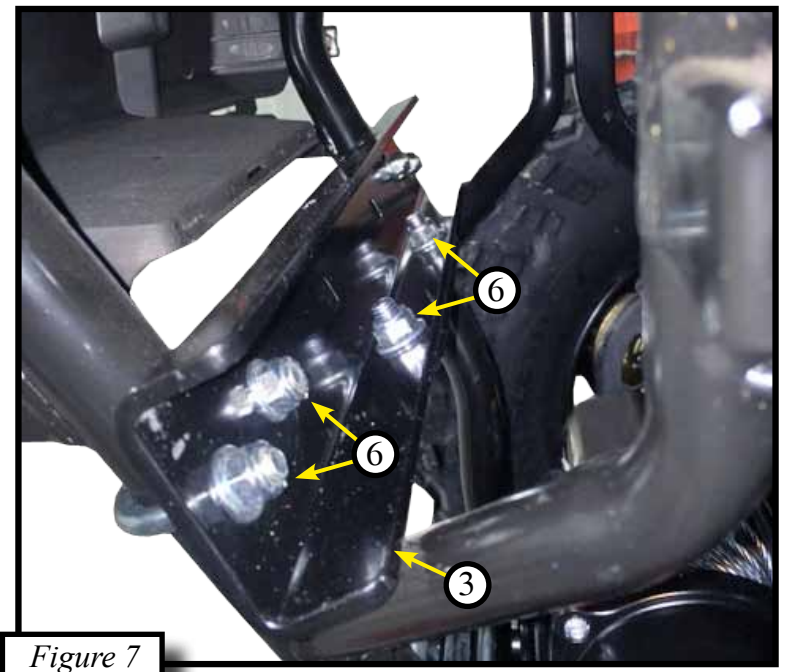


Figure 7

5. Attach the soft loop strap (11) to the horizontal frame tubing behind the front grill. Shown in Figures 9 & 10.
6. Tighten all hardware down.
7. See ATV Plow Tube System instruction manual for tube attachment.

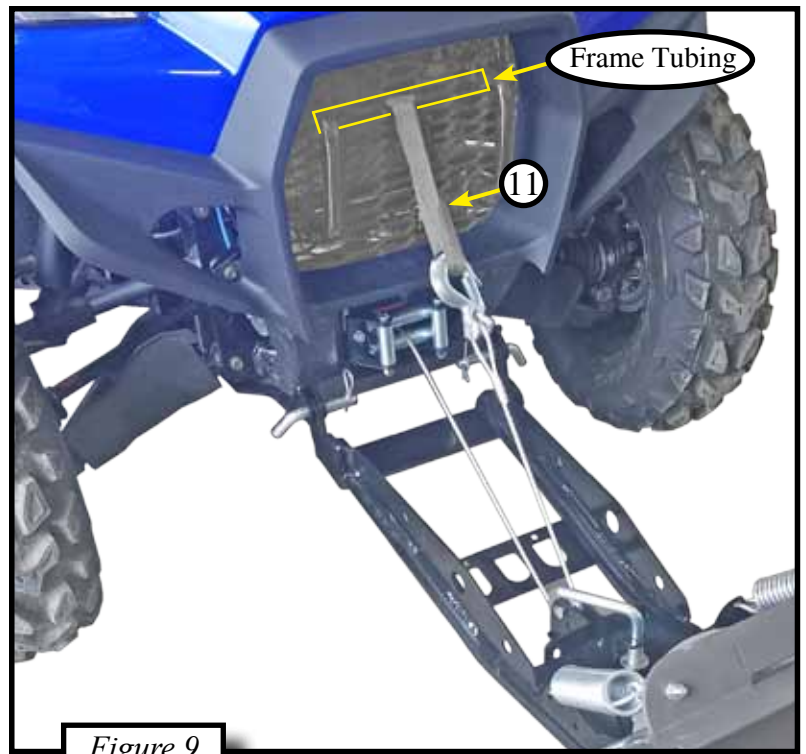


Figure 9

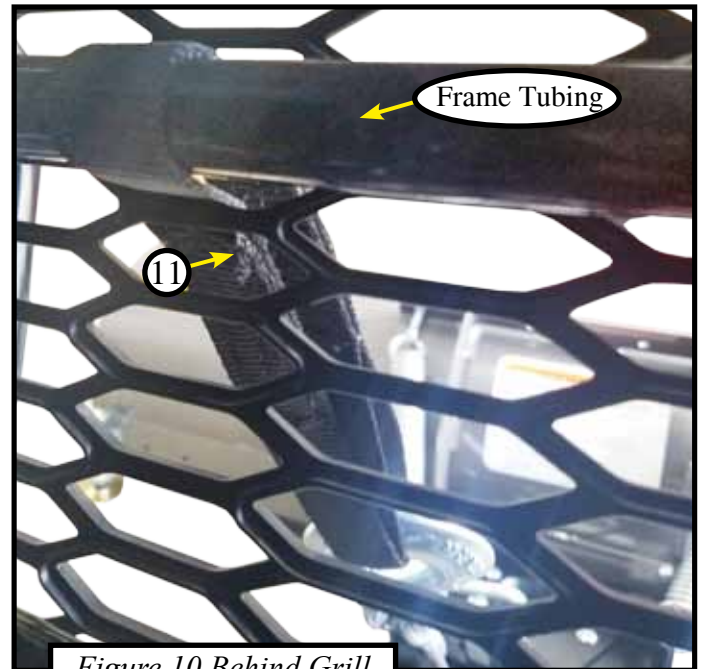


Figure 10 Behind Grill

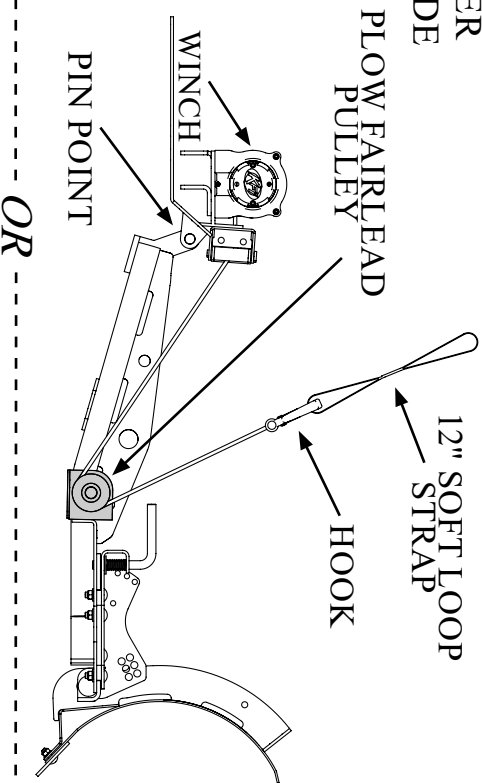
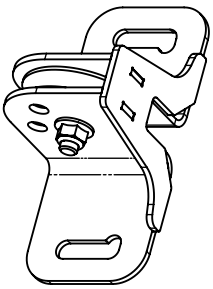




# THIS MOUNT RECOMMENDS A PLOW PULLEY

## SYNTHETIC ROPE PLOW FAIRLEAD PULLEY

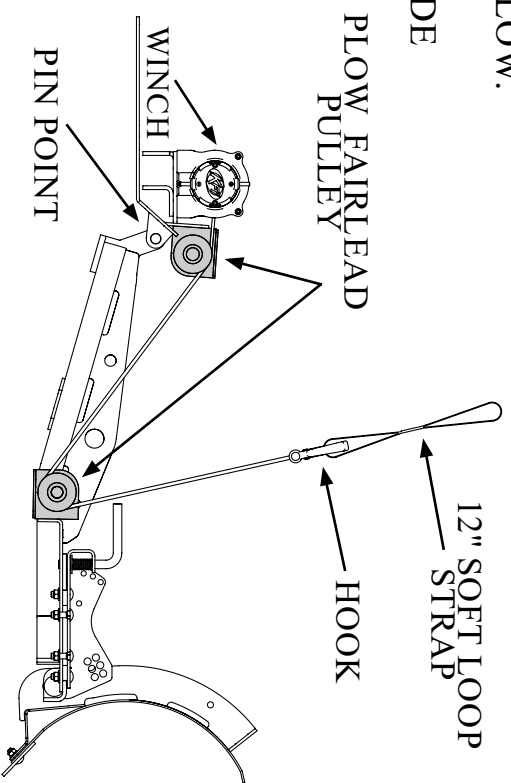
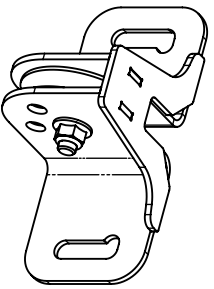
- ALUMINUM ROLLER
- STANDARD OR WIDE



OR

## STEEL CABLE PLOW FAIRLEAD PULLEY

- RECOMMEND A PULLEY AT THE WINCH AS WELL AS PUSH TUBE.
- VIEW EXAMPLE BELOW.
- STEEL ROLLER
- STANDARD OR WIDE

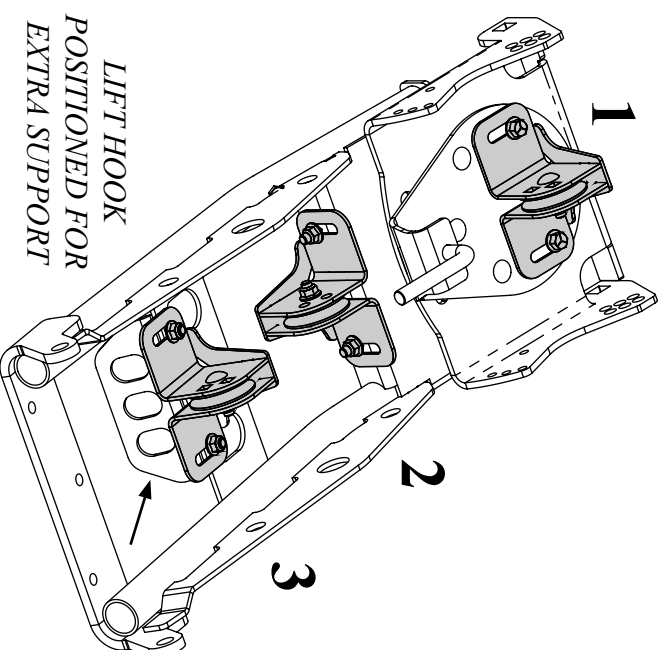


## WHY USE A PULLEY?

WHEN THE WINCH FAIRLEAD AND PLOW PIN POINT ARE CLOSE TO EACH OTHER, IT CREATES A SHALLOW LIFTING ANGLE. BY ADDING A PULLEY, YOU ARE CHANGING THE WINCH ANGLE TO A MORE VERTICAL LIFTING POSITION. THIS WILL PROVIDE LESS STRAIN ON THE WINCH AND ENTIRE PLOW SYSTEM.

## POSSIBLE POSITIONS

**\*STANDARD FAIRLEAD PULLEY REQUIRED FOR ALL PUSH TUBE APPLICATIONS\***



**12\"/>**